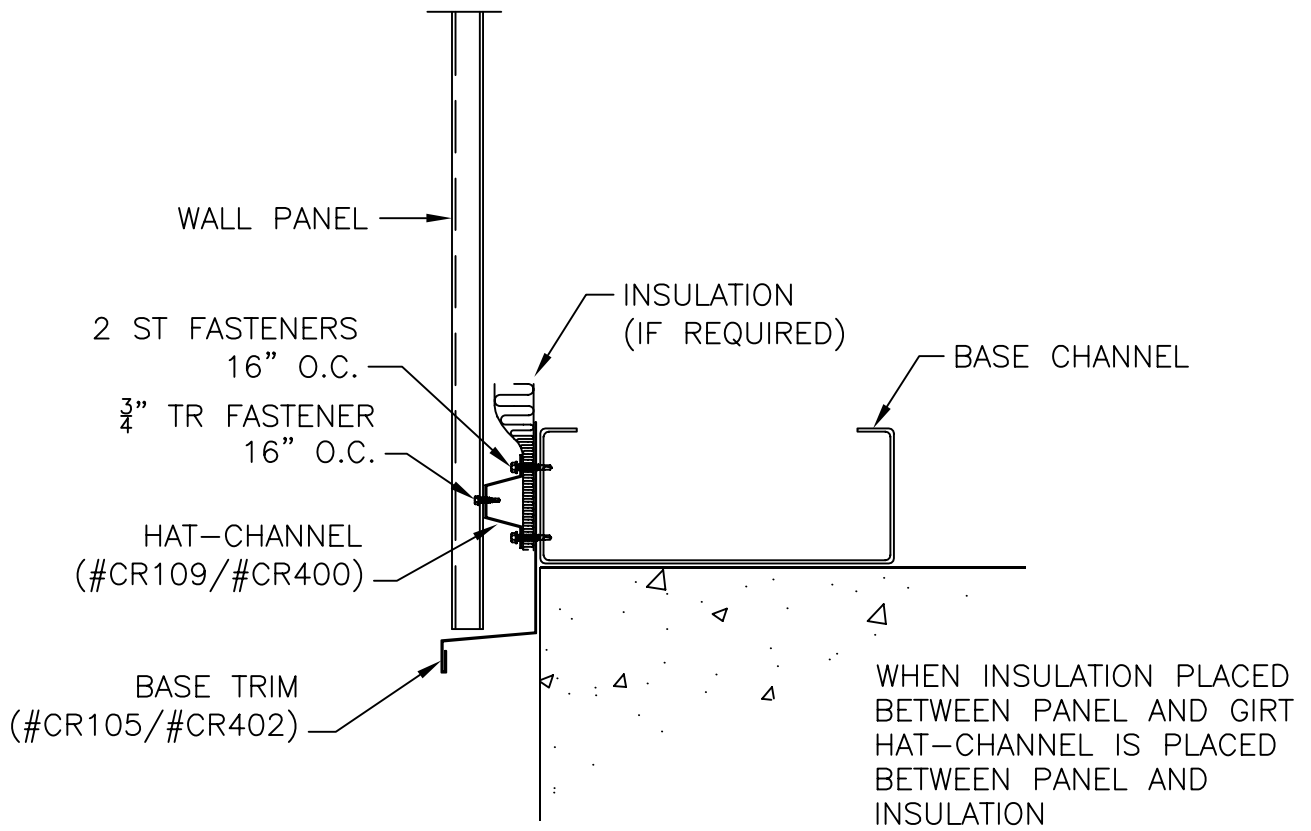


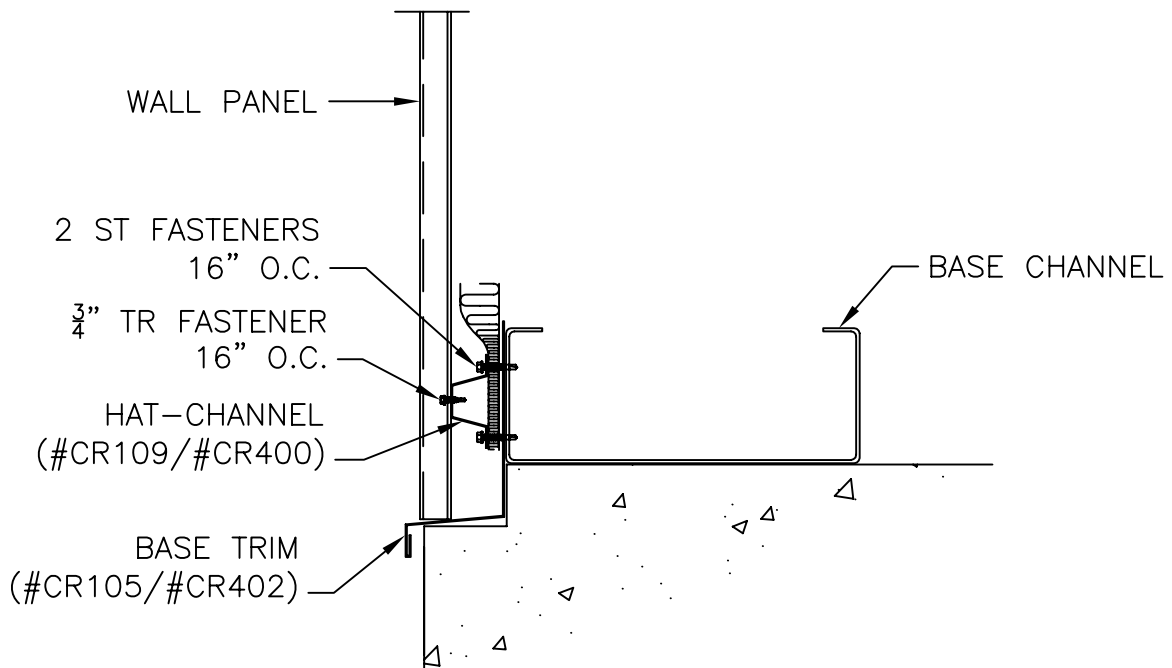
CECOROC WALL PANEL BASE
DETAILS WITH HAT-CHANNELS

SHT. NO. CRC1	
DATE JUL. 04	REV. 00



2 SS BLIND RIVETS
PER BASE TRIM ENDLAP

BASE DETAIL W/O NOTCH
W/ BASE CHANNEL

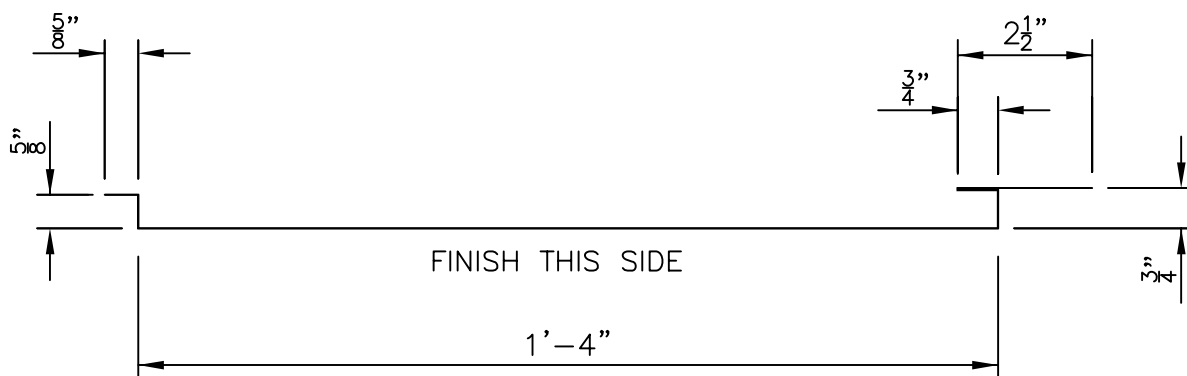


2 SS BLIND RIVETS
PER BASE TRIM ENDLAP

BASE DETAIL W/NOTCH
W/ BASE CHANNEL

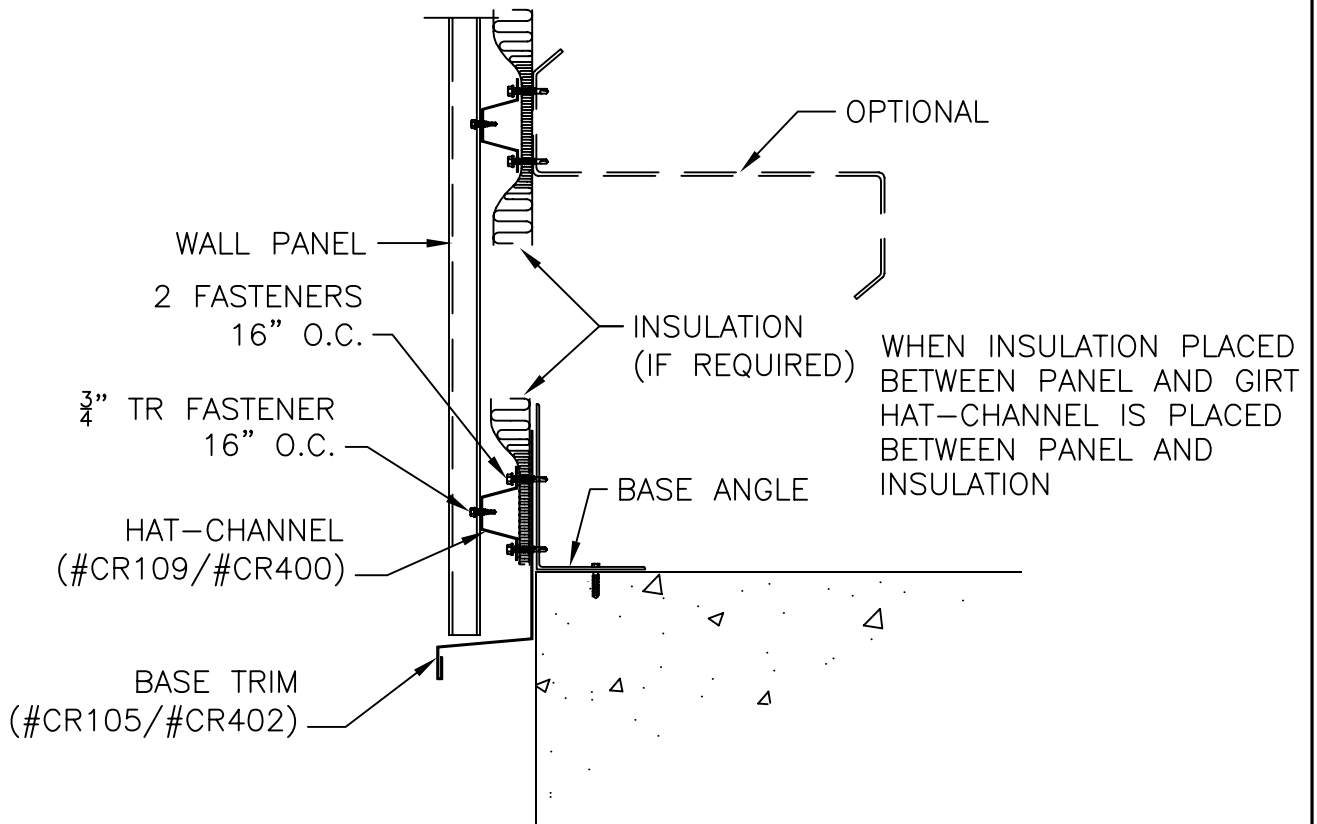
CECOROC PANEL

SHT. NO. CRC1A	
DATE AUG. 02	REV. 00



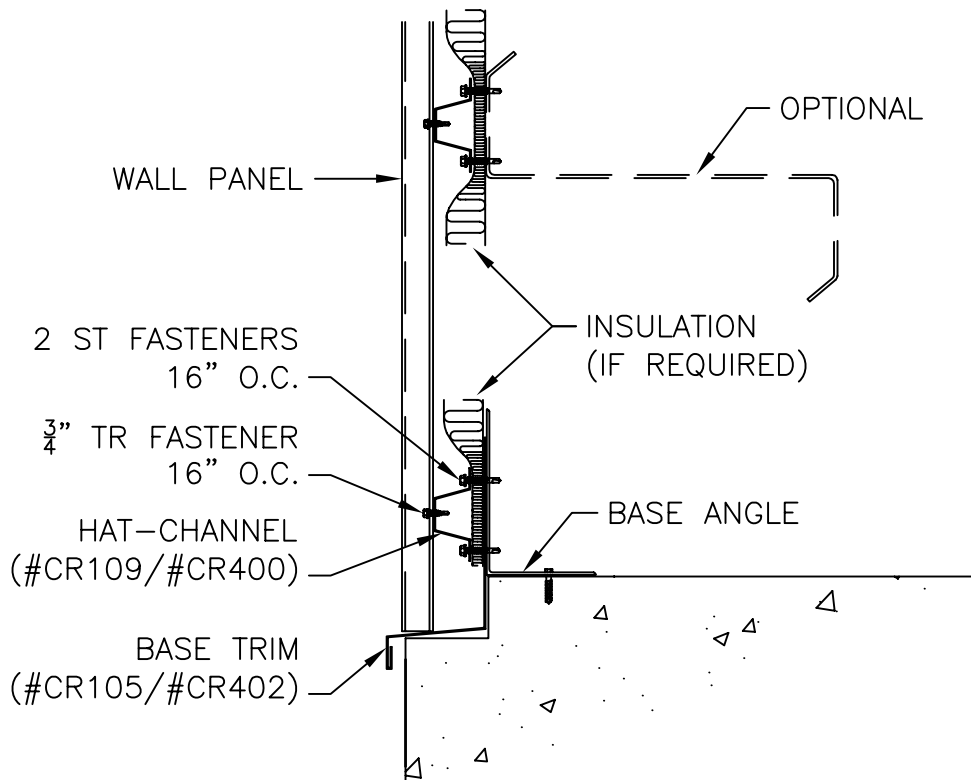
CECOROC WALL PANEL BASE
DETAILS WITH HAT-CHANNELS

SHT. NO. CRC2	
DATE JUL. 04	REV. 00



2 SS BLIND RIVETS
PER BASE TRIM ENDLAP

BASE DETAIL W/O NOTCH
W/ BASE ANGLE

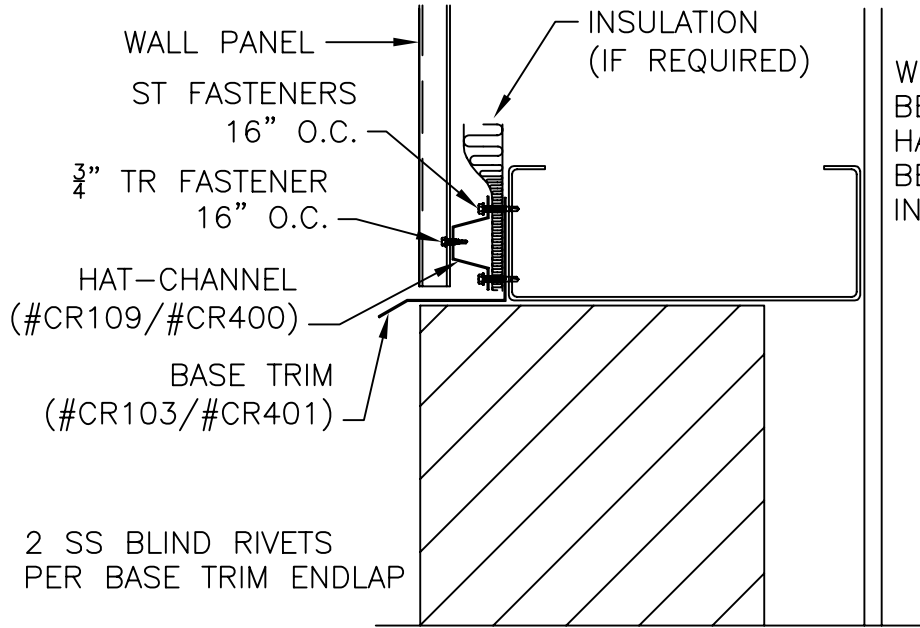


2 SS BLIND RIVETS
PER BASE TRIM ENDLAP

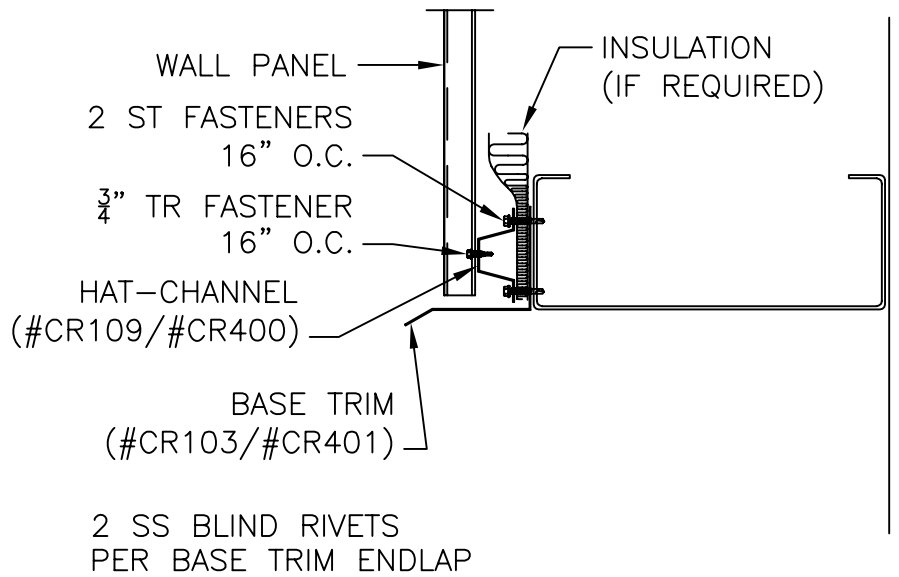
BASE DETAIL W/NOTCH
W/ BASE ANGLE

CECOROC WALL PANEL BASE
DETAILS WITH HAT-CHANNEL

SHT. NO. CRC3	
DATE JUL. 04	REV. 00



DETAIL AT WALL
OPEN FOR MASONRY

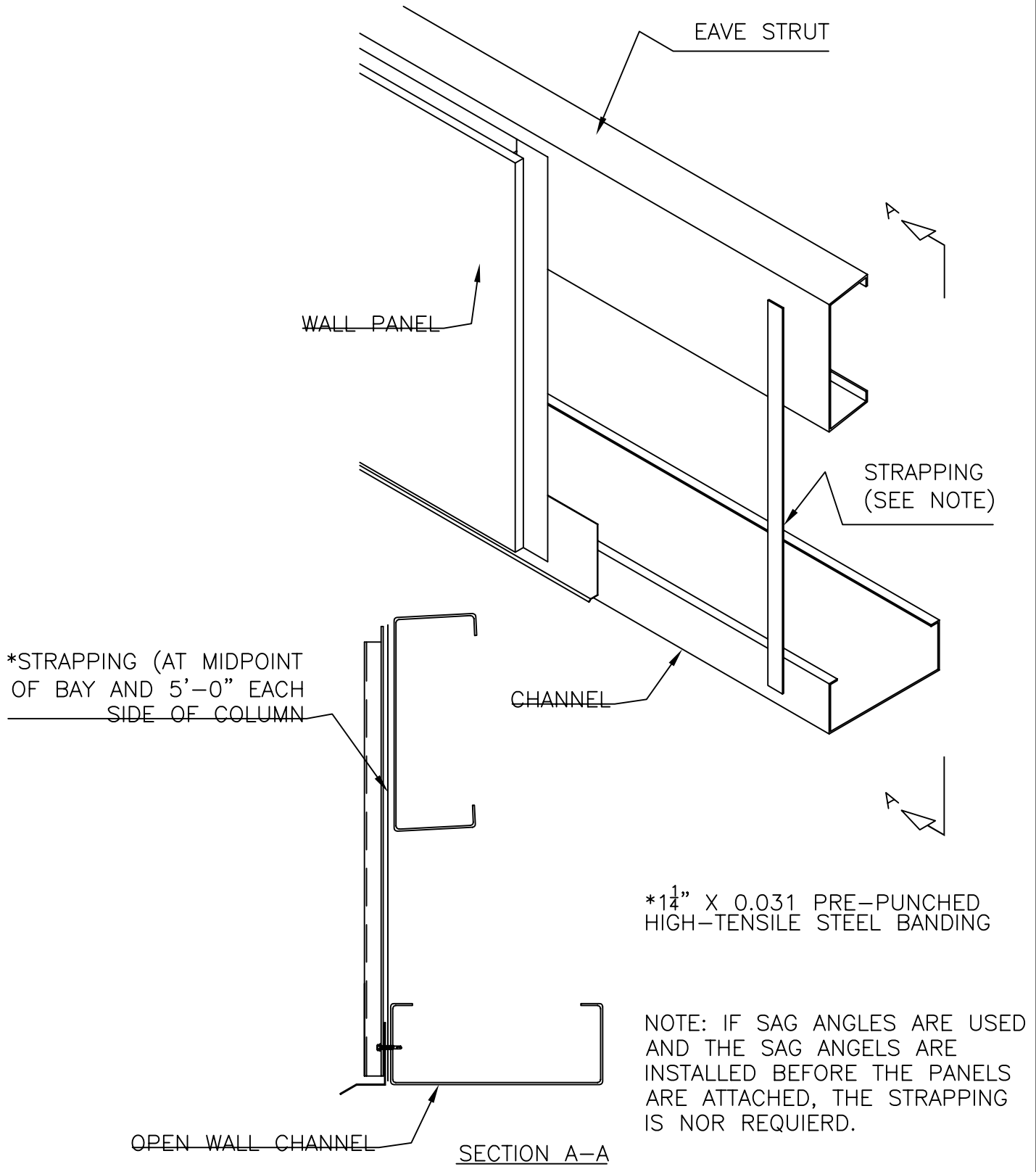


DETAIL AT WALL
OPEN FOR ACCESS

CECOROC WALL PANEL
WITH PARTIALLY OPEN WALL

SHT. NO. CRC3A	
DATE OCT. 03	REV. 00

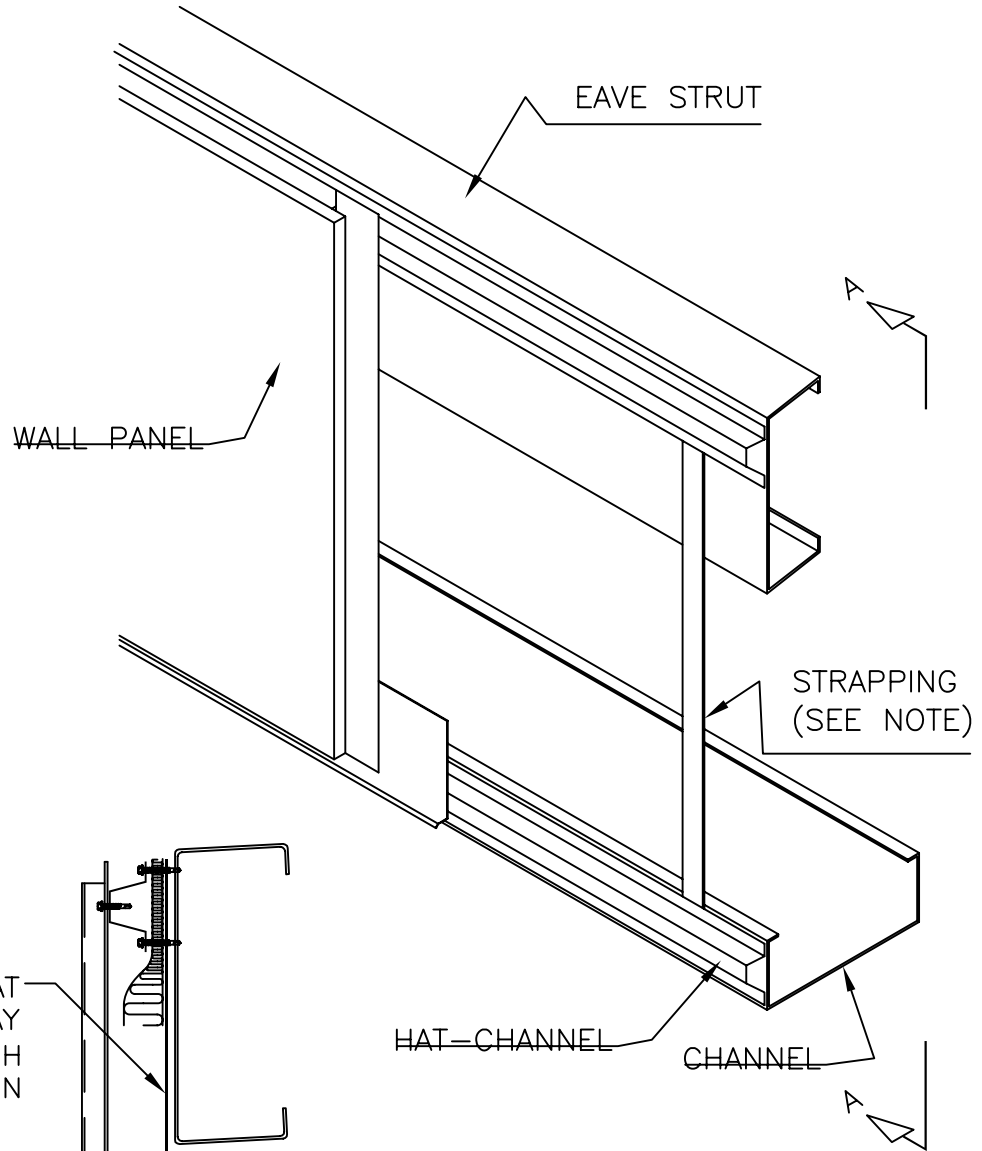
WHEN A WALL IS PARTIALLY OPEN, STRAPPING MUST BE ATTACHED TO THE FACE OF ALL COLD-FORMED MEMBERS (CHANNEL, ZEE, EAVE STRUT OR GABLE ANGLE) AT MIDPOINT OF BAY AND 5'-0" EACH SIDE OF COLUMN TO SUPPORT THE WALL PANELS.



CECOROC WALL PANEL
WITH PARTIALLY OPEN WALL
WITH HAT-CHANNEL

SHT. NO. CRC3B	
DATE OCT. 03	REV. 00

WHEN A WALL IS PARTIALLY OPEN, STRAPPING MUST BE ATTACHED TO THE FACE OF ALL COLD-FORMED MEMBERS (CHANNEL, ZEE, EAVE STRUT OR GABLE ANGLE) AT MIDPOINT OF BAY AND 5'-0" EACH SIDE OF COLUMN TO SUPPORT THE WALL PANELS.



*STRAPPING (AT
MIDPOINT OF BAY
AND 5'-0" EACH
SIDE OF COLUMN

INSULATION
(IF REQUIRED)

WHEN INSULATION PLACED
BETWEEN PANEL AND GIRT
HAT-CHANNEL IS PLACED
BETWEEN PANEL AND
INSULATION

HAT-CHANNEL

CHANNEL

* $\frac{1}{4}$ " X 0.031 PRE-PUNCHED
HIGH-TENSILE STEEL BANDING

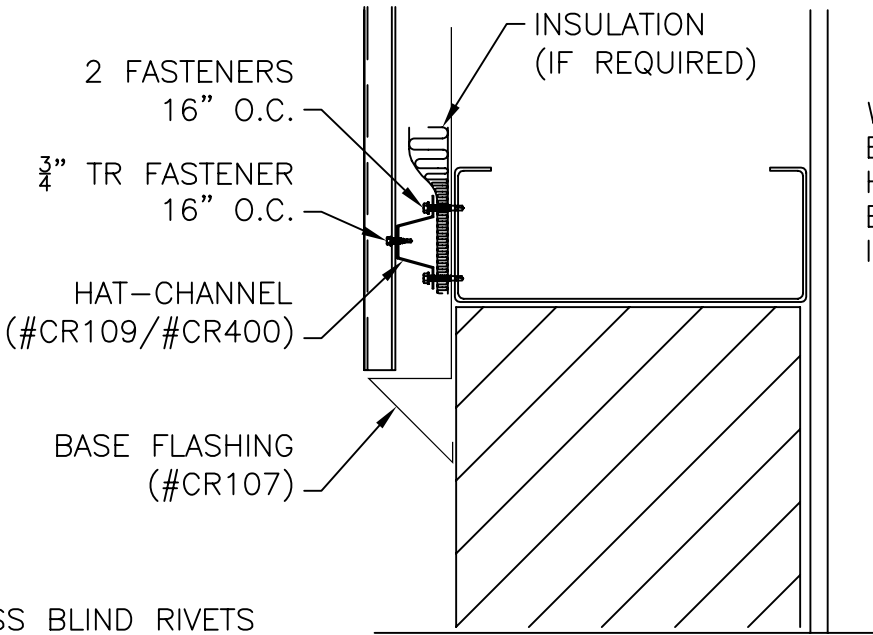
NOTE: IF SAG ANGLES ARE USED
AND THE SAG ANGLES ARE
INSTALLED BEFORE THE PANELS
ARE ATTACHED, THE STRAPPING
IS NOR REQUIERD.

OPEN WALL CHANNEL

SECTION A-A

CECOROC WALL PANEL BASE
DETAILS WITH HAT-CHANNELS

SHT. NO. CRC4	
DATE JUL. 04	REV. 00



WHEN INSULATION PLACED
BETWEEN PANEL AND GIRT
HAT-CHANNEL IS PLACED
BETWEEN PANEL AND
INSULATION

6 SS BLIND RIVETS
PER BF25 ENDLAP

DETAIL AT WALL
OPEN FOR MASONRY

CECOROC WALL PANEL CORNER
DETAILS WITH HAT-CHANNELS

SHT. NO. CRC5	
DATE JUL. 04	REV. 00

WHEN INSULATION
PLACED BETWEEN
PANEL AND GIRT
HAT-CHANNEL IS
PLACED BETWEEN
PANEL AND INSULATION

4 SS BLIND RIVETS
PER CORNER TRIM ENDLAP
2 SS BLIND RIVETS
PER PANEL SUPPORT
FLASHING ENDLAP

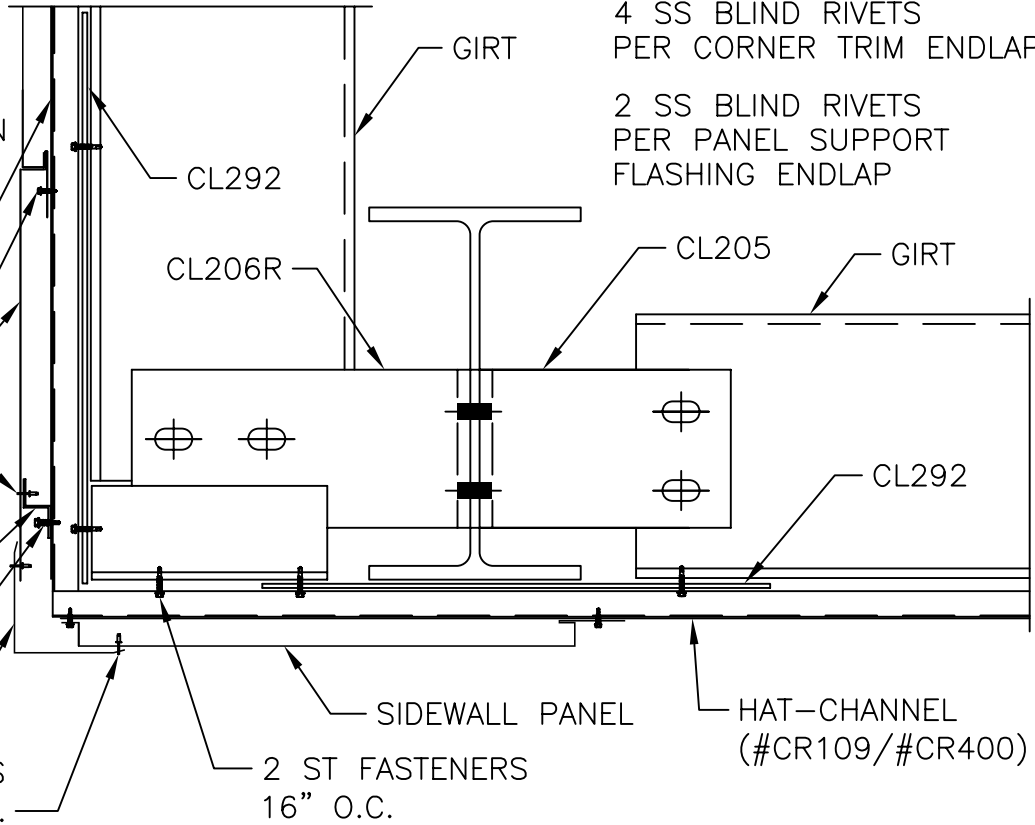
HAT-CHANNEL
(#CR109/#CR400)
 $\frac{3}{4}$ " TR FASTENER
16" O.C.

ENDWALL PANEL
SS BLIND RIVETS
2'-0" O.C.

PANEL SUPPORT
FLASHING (ML47)
 $\frac{3}{4}$ " TR FASTENER

CORNER TRIM
(#1640C)

SS BLIND RIVETS
2'-0" O.C.



OUTSIDE CORNER FLUSH

WHEN INSULATION
PLACED BETWEEN
PANEL AND GIRT
HAT-CHANNEL IS
PLACED BETWEEN
PANEL AND INSULATION

4 SS BLIND RIVETS
PER CORNER TRIM ENDLAP
2 SS BLIND RIVETS
PER PANEL SUPPORT
FLASHING ENDLAP

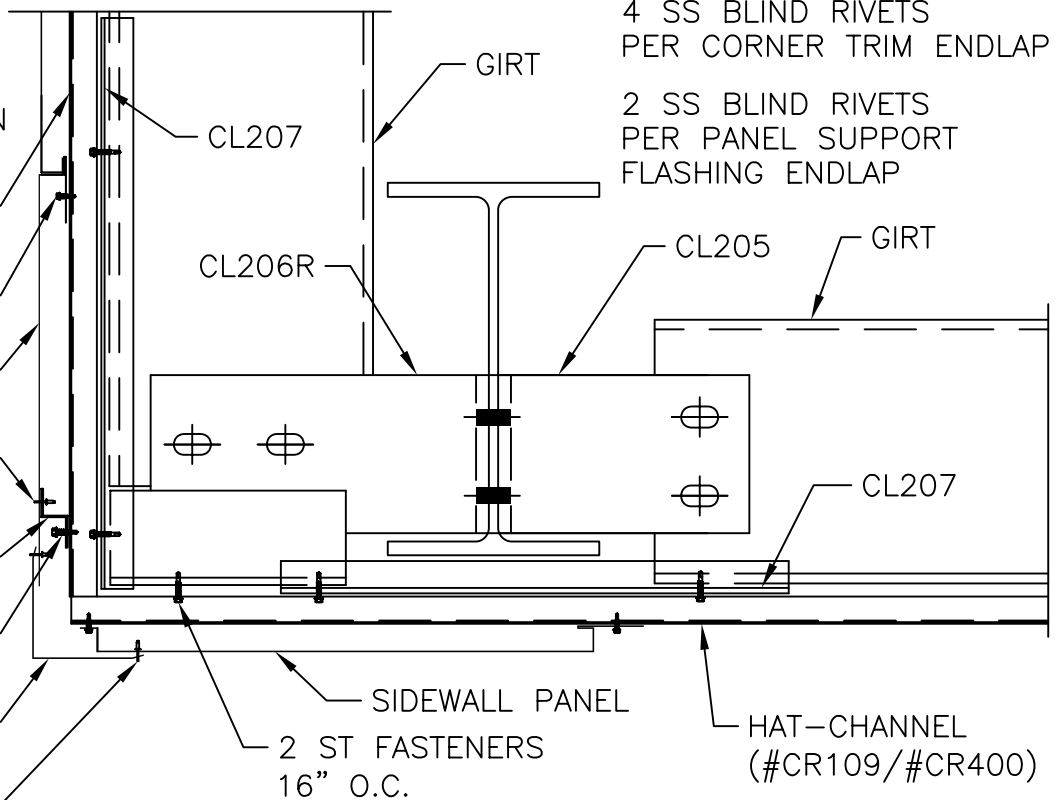
HAT-CHANNEL
(#CR109/#CR400)
 $\frac{3}{4}$ " TR FASTENER
16" O.C.

ENDWALL PANEL
SS BLIND RIVETS
2'-0" O.C.

PANEL SUPPORT
FLASHING (ML47)
 $\frac{3}{4}$ " TR FASTENER

CORNER TRIM
(#1640C)

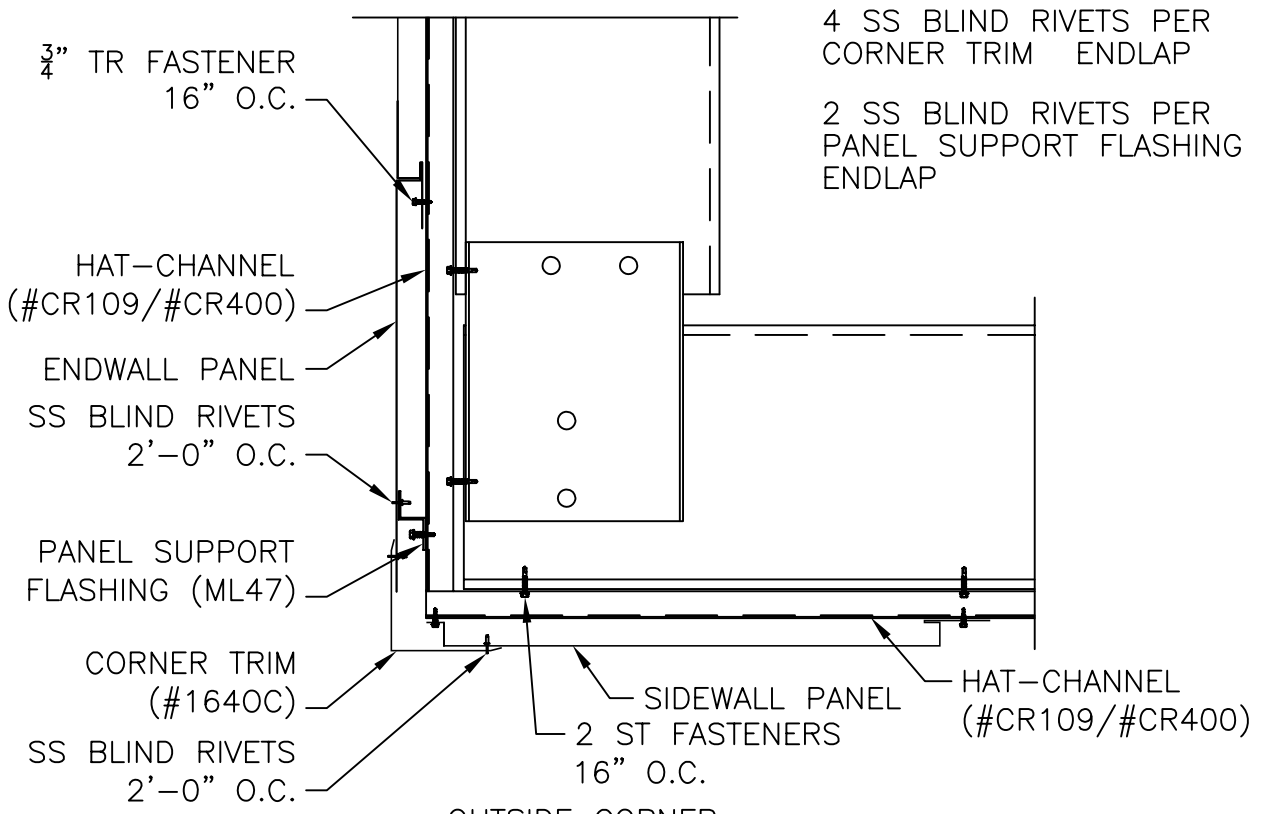
SS BLIND RIVETS
2'-0" O.C.



OUTSIDE CORNER INSET

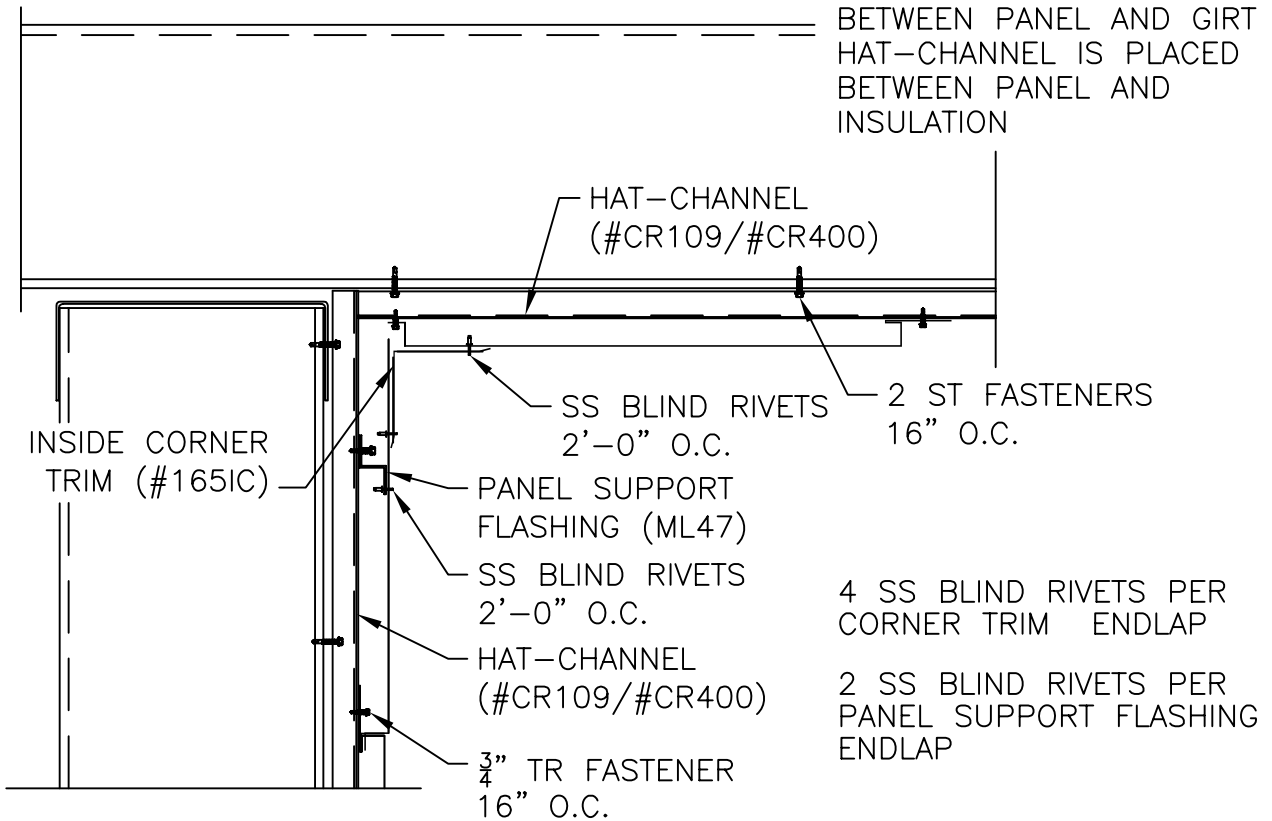
CECOROC WALL PANEL CORNER
DETAILS WITH HAT-CHANNELS

SHT. NO. CRC6	
DATE JUL. 04	REV. 00



OUTSIDE CORNER
BYPASS GIRTS

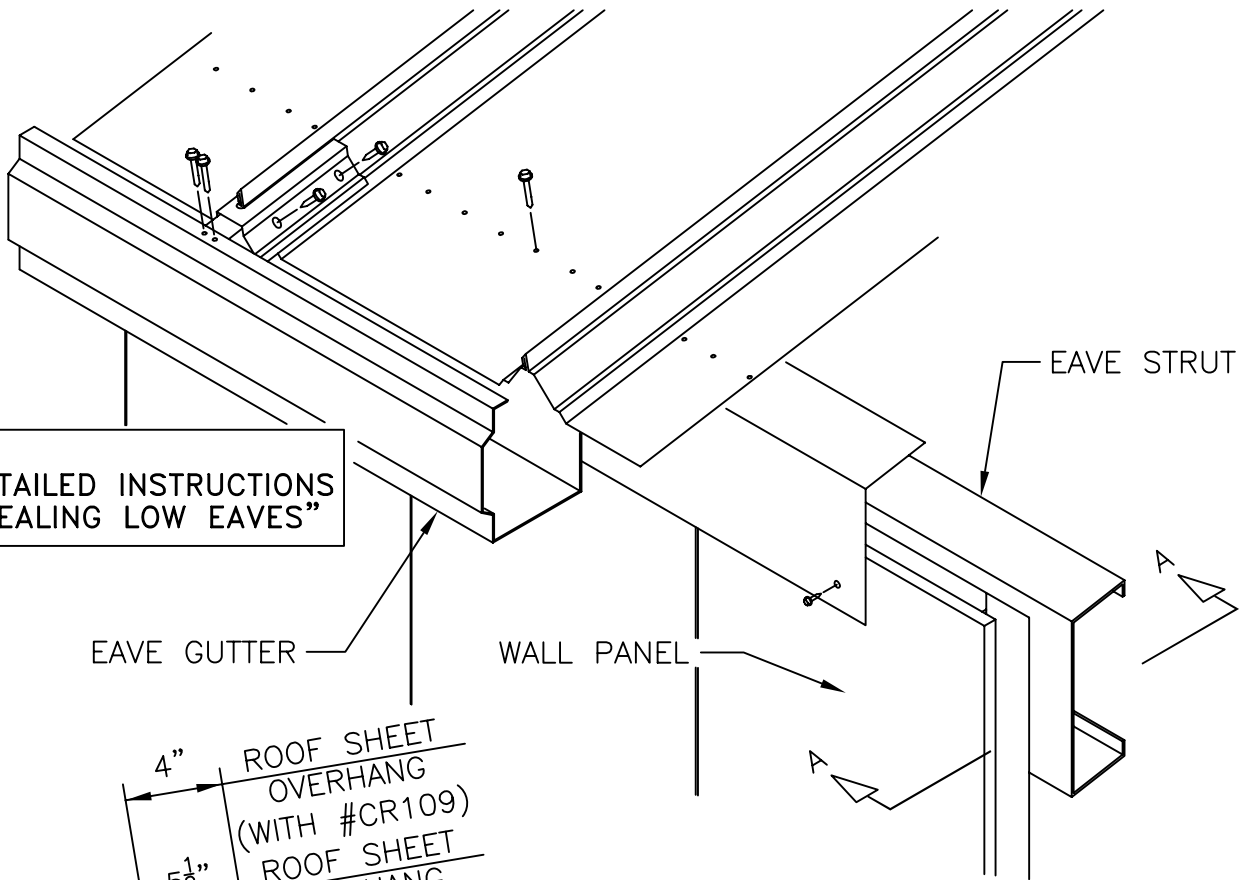
WHEN INSULATION PLACED
BETWEEN PANEL AND GIRT
HAT-CHANNEL IS PLACED
BETWEEN PANEL AND
INSULATION



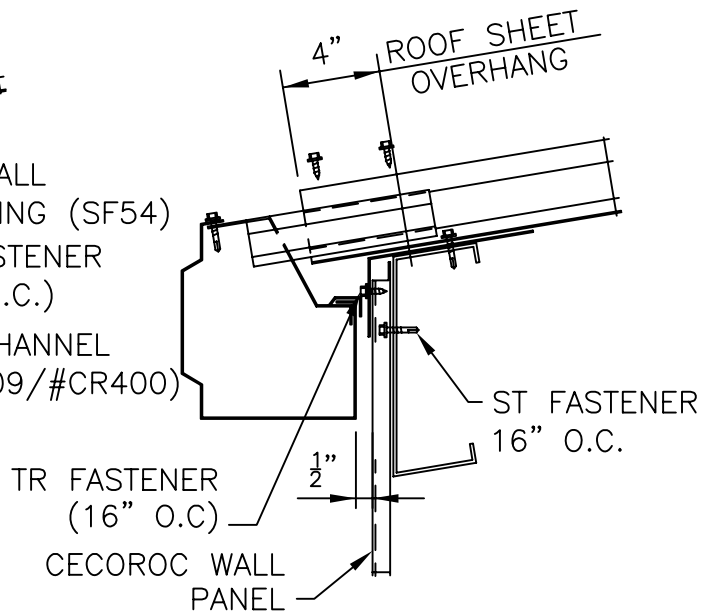
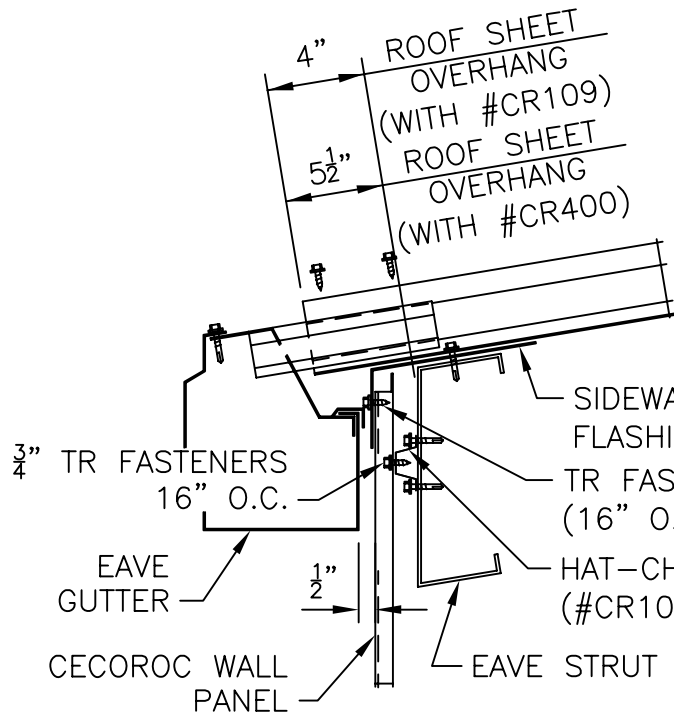
INSIDE CORNER

DETAIL AT GUTTERED EAVE
WITH CECOROC WALL PANEL

SHT. NO. CRC7	
DATE May 08	REV. 00

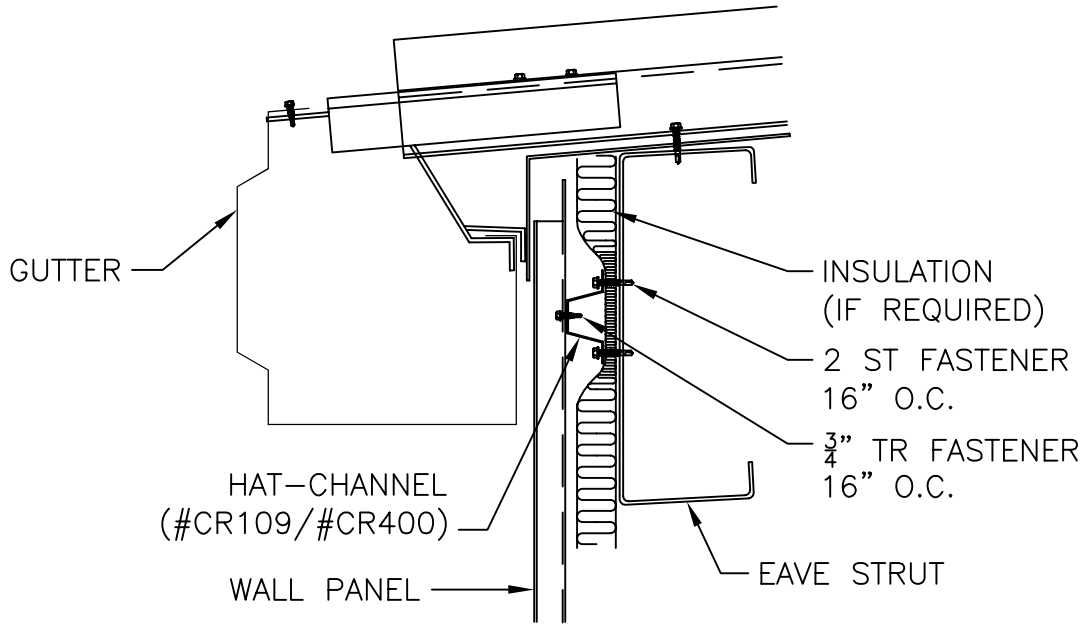


NOTE:
SEE DETAILED INSTRUCTIONS
FOR "SEALING LOW EAVES"

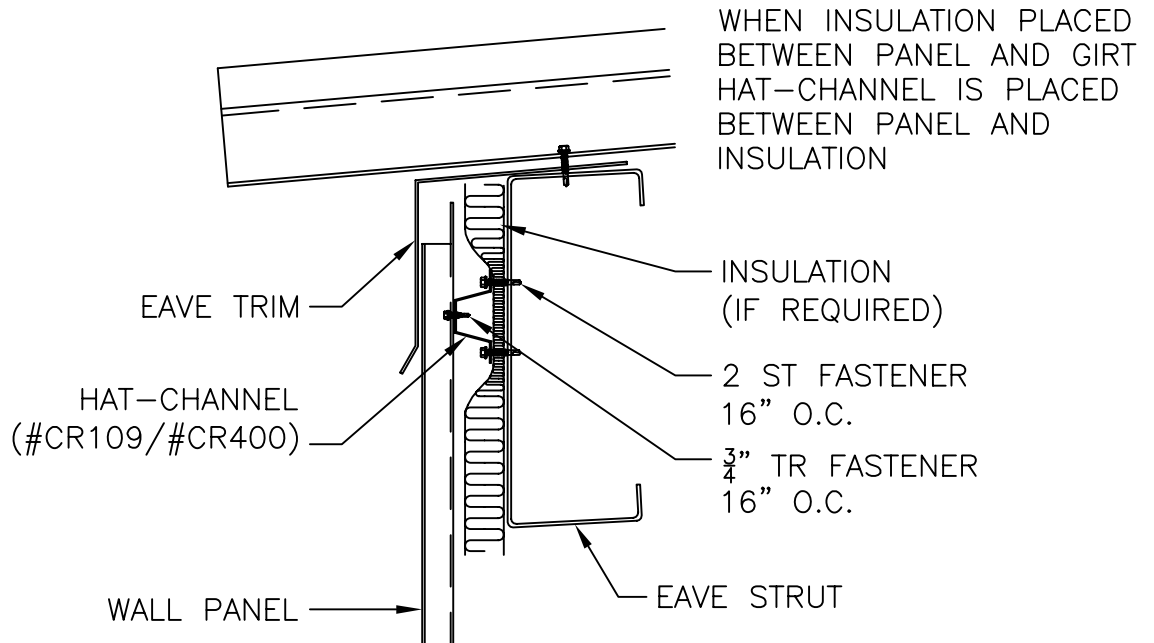


CECOROC WALL PANEL EAVE
DETAILS WITH HAT-CHANNELS

SHT. NO. CRC8	
DATE JUL. 04	REV. 00



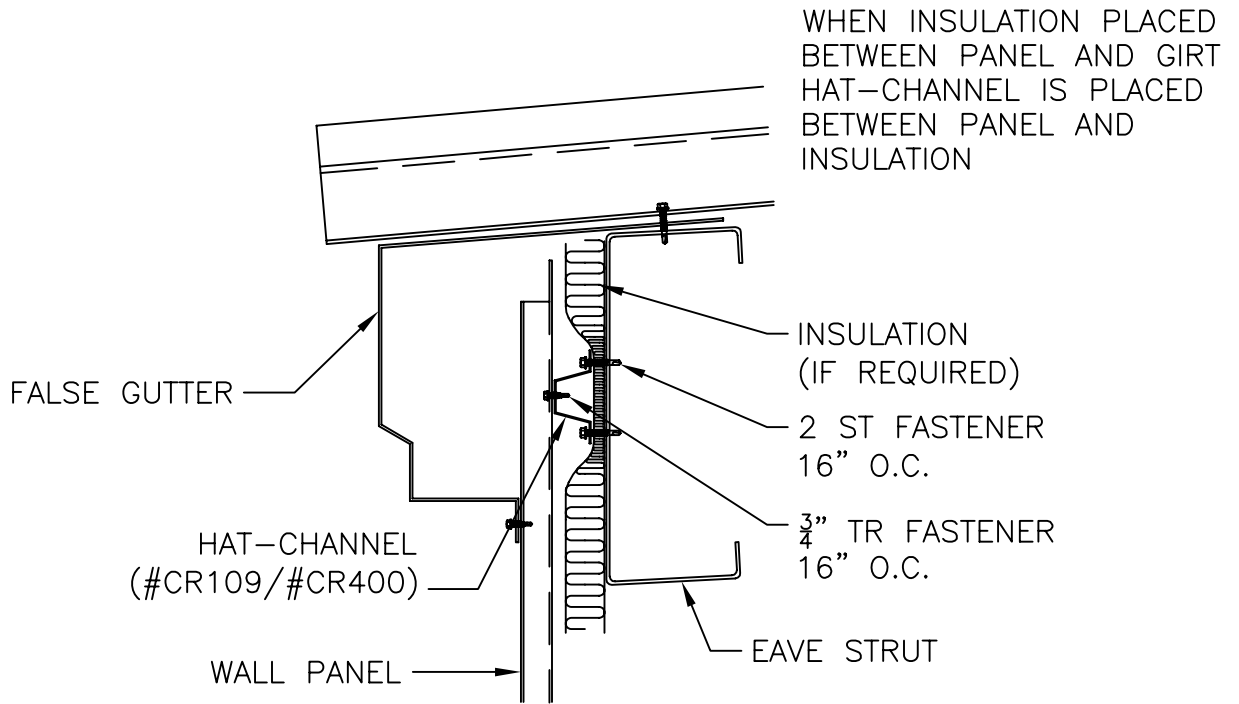
DETAIL AT GUTTERED EAVE
WITH CECOROC WALL PANEL



DETAIL AT PLAIN EAVE
WITH CECOROC WALL PANEL

CECOROC WALL PANEL FALSE
GUTTER DETAIL WITH HAT-CHANNELS

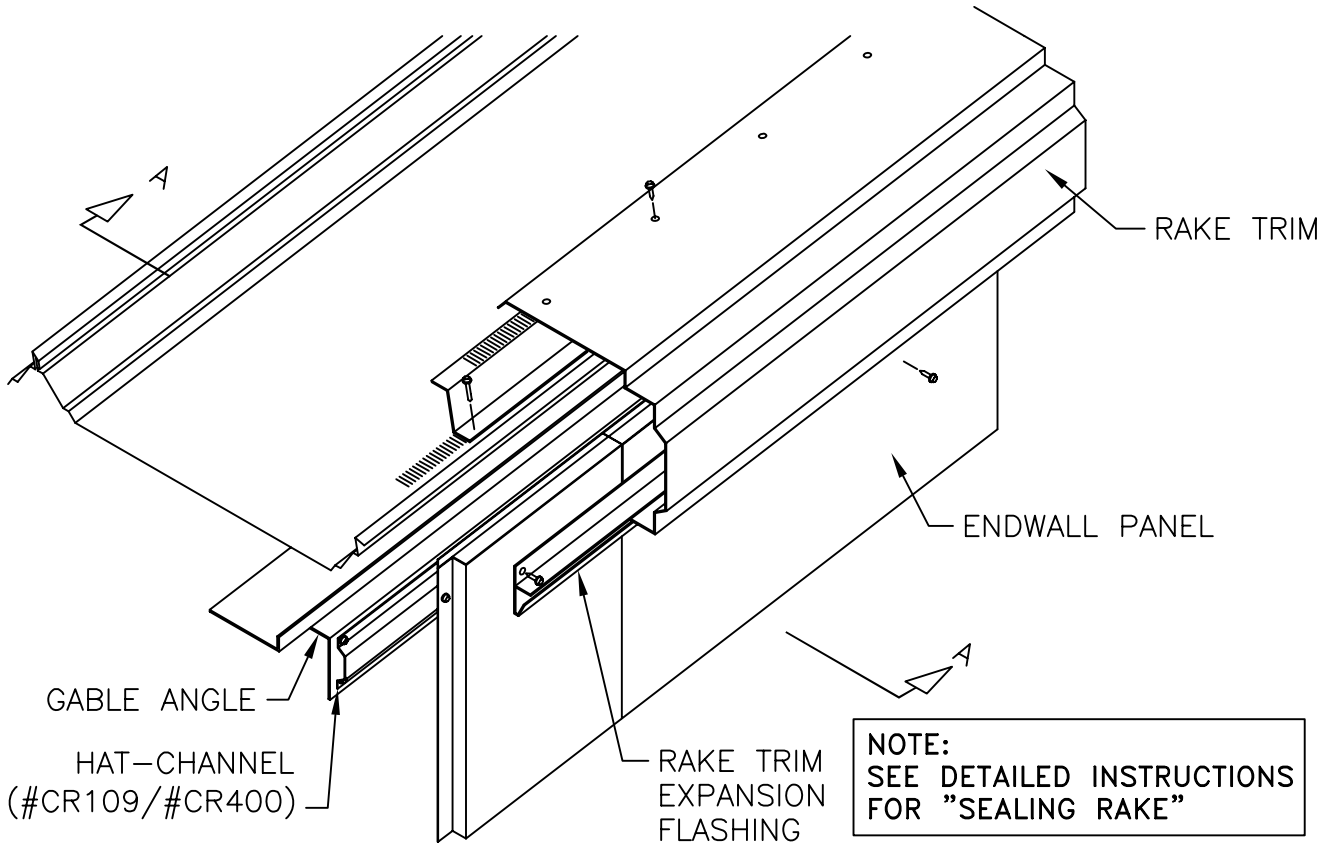
SHT. NO. CRC9	
DATE JUL. 04	REV. 00



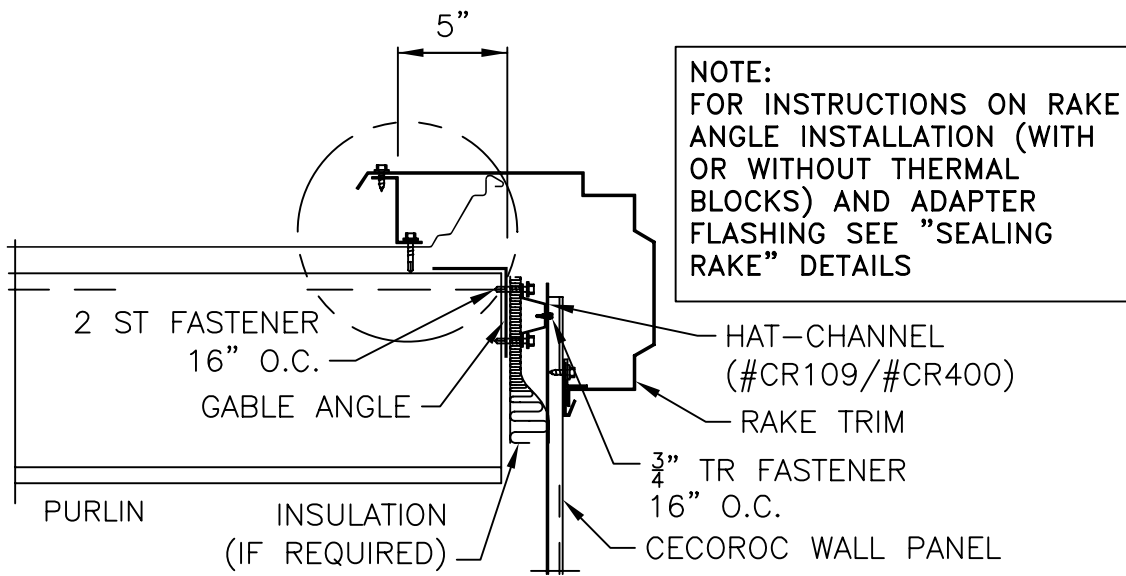
DETAIL AT EAVE WITH FALSE GUTTER
WITH CECOROC WALL PANEL

RAKE DETAIL WITH CECOROC
WALL PANELS WITH HAT-CHANNELS

SHT. NO. CRC10	
DATE JUL. 04	REV. 00



NOTE:
SEE DETAILED INSTRUCTIONS
FOR "SEALING RAKE"



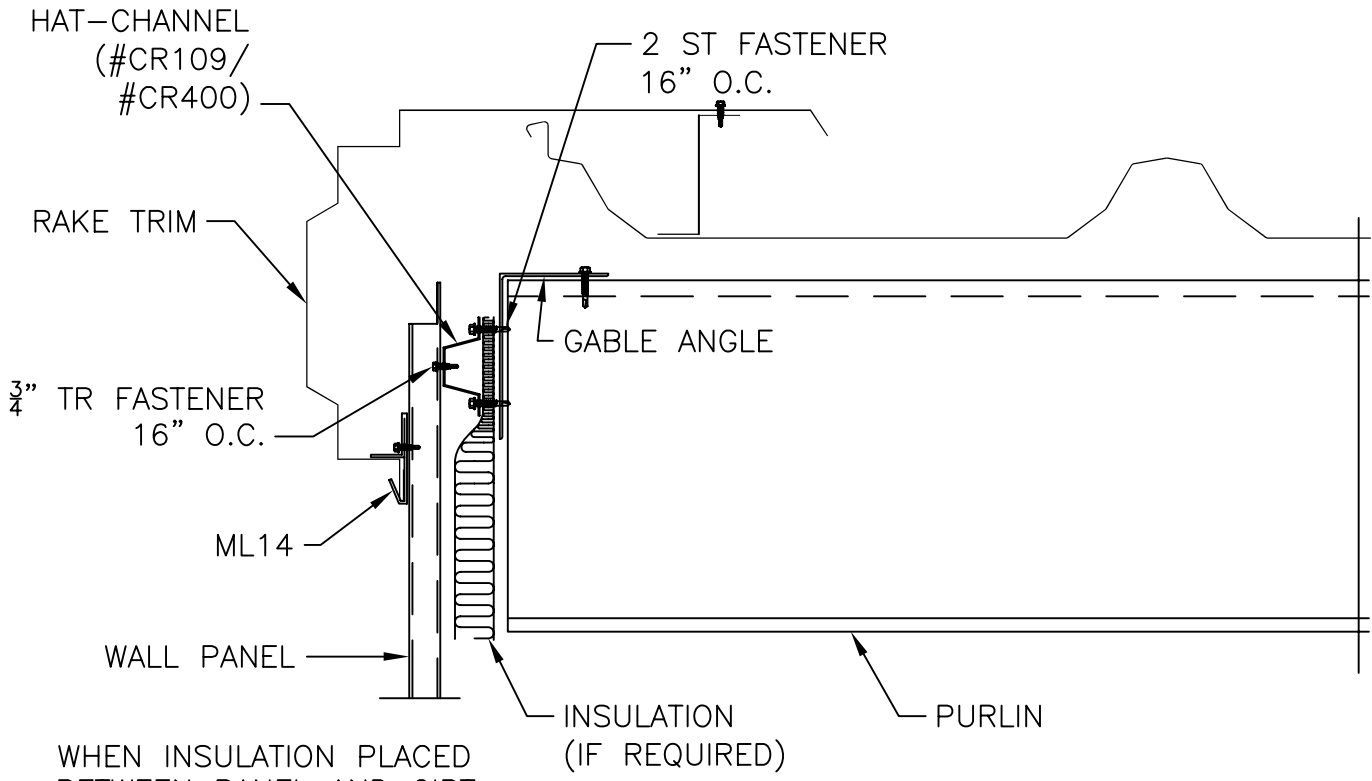
NOTE:
FOR INSTRUCTIONS ON RAKE
ANGLE INSTALLATION (WITH
OR WITHOUT THERMAL
BLOCKS) AND ADAPTER
FLASHING SEE "SEALING
RAKE" DETAILS

SECTION A-A
SHOWN WITHOUT THERMAL BLOCK

WHEN INSULATION PLACED BETWEEN
PANEL AND GIRT HAT-CHANNEL IS
PLACED BETWEEN PANEL AND INSULATION

CECOROC WALL PANEL RAKE
DETAIL WITH HAT-CHANNELS

SHT. NO. CRC11	
DATE JUL. 04	REV. 00



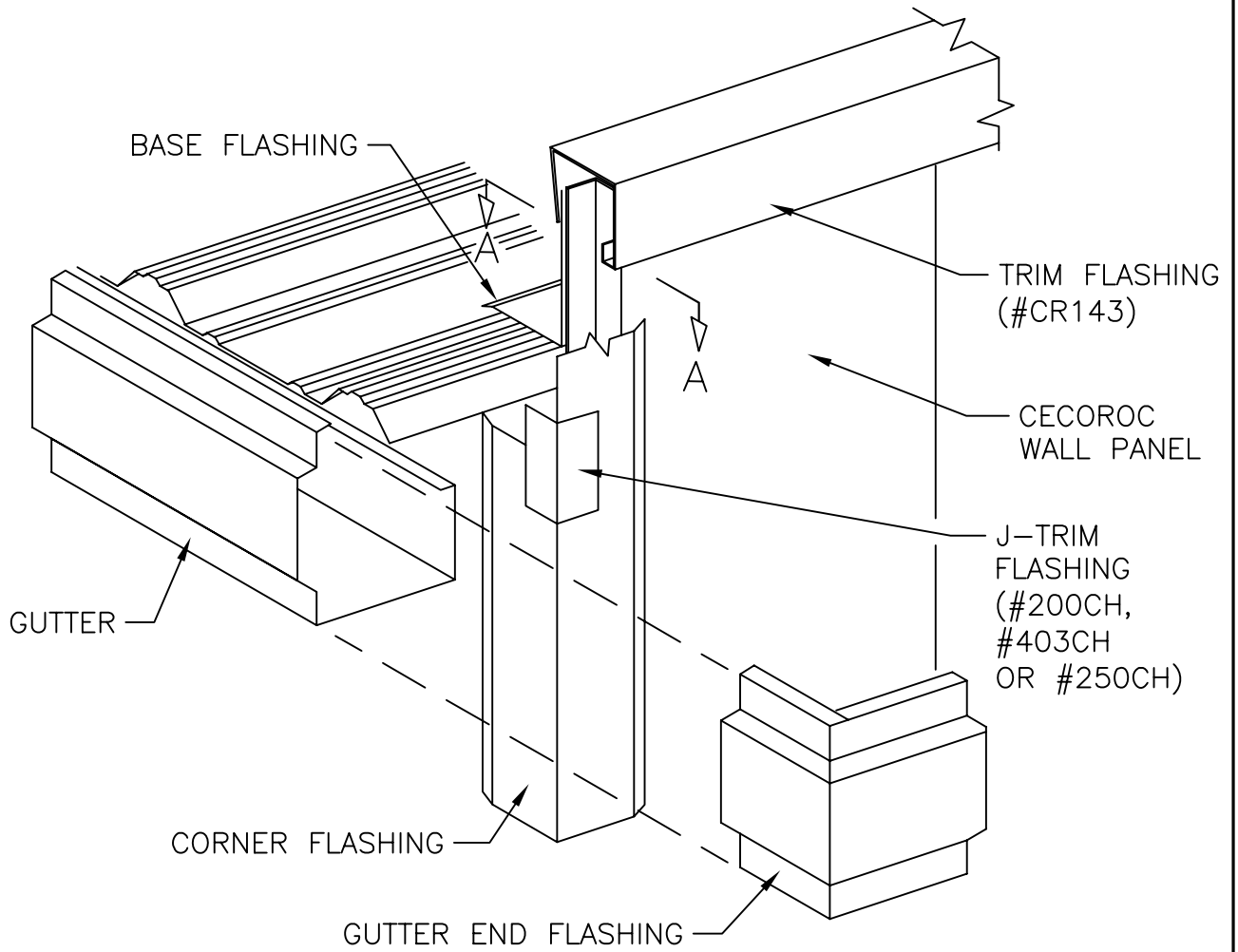
WHEN INSULATION PLACED
BETWEEN PANEL AND GIRT
HAT-CHANNEL IS PLACED
BETWEEN PANEL AND INSULATION

DETAIL AT RAKE
WITH CECOROC WALL PANEL

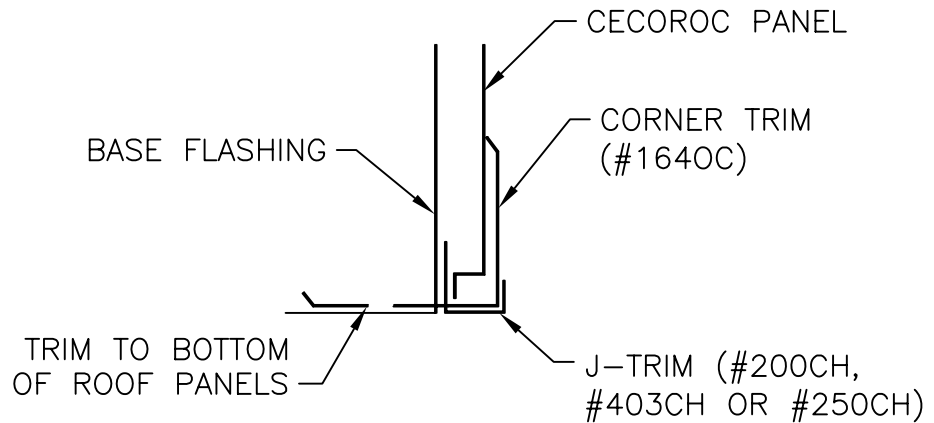
LOW SIDEWALL WITH PLAZA ENDWALL
WITH CECOROC WALL PANEL

SHT. NO.
CRC11B

DATE JUL. 04 REV. 00



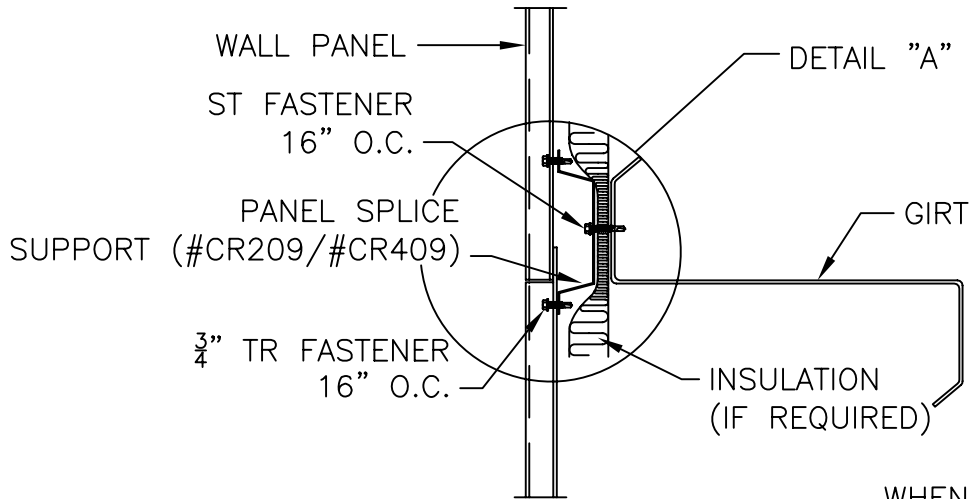
DETAIL AT LOW SIDEWALL WITH
PLAZA ENDWALL



SECTION A-A

DETAIL AT CECOROC
WALL PANEL SPLICE WITH HAT-CHANNEL

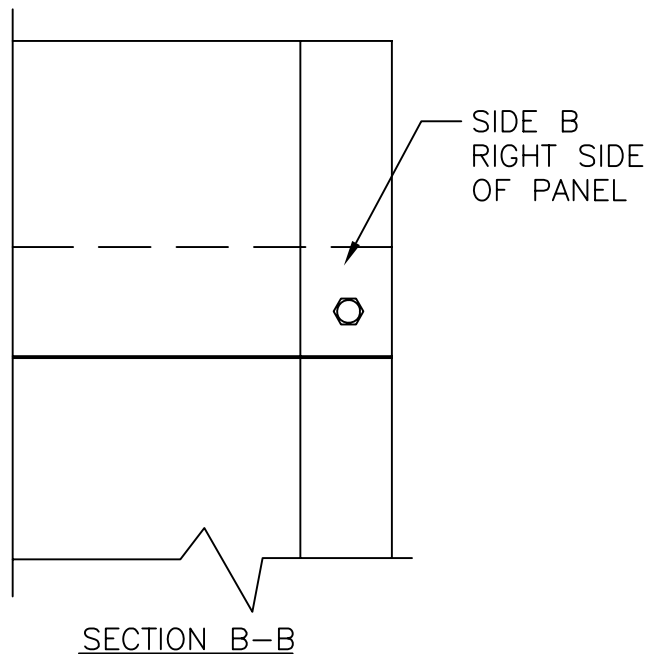
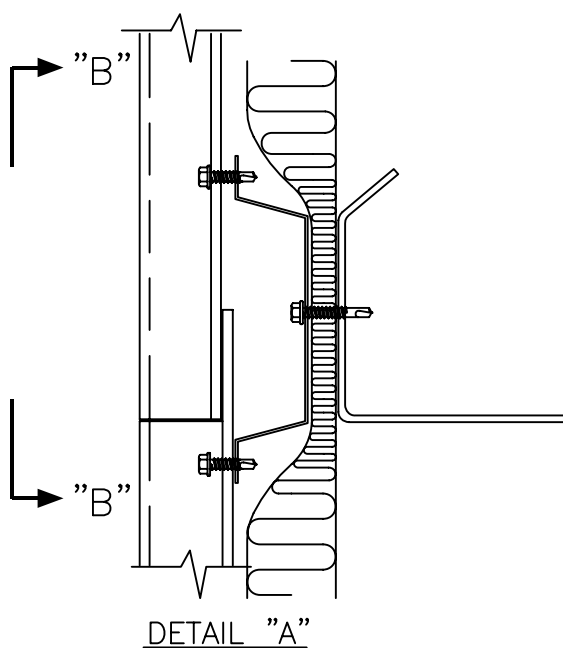
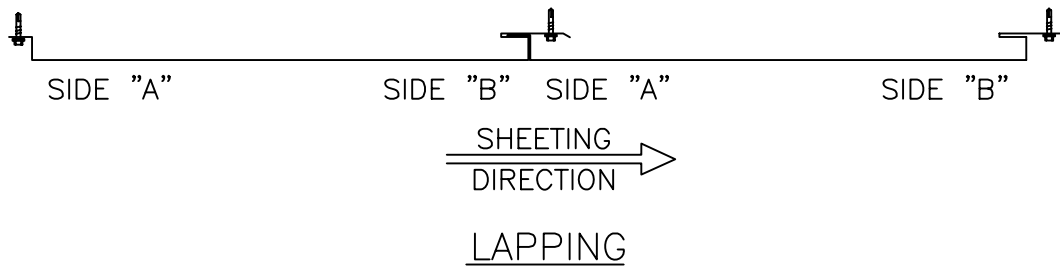
SHT. NO. CRC12	
DATE JUL. 04	REV. 00



WHEN INSULATION PLACED
BETWEEN PANEL AND GIRT
PANEL SPLICE IS PLACED
BETWEEN PANEL AND
INSULATION

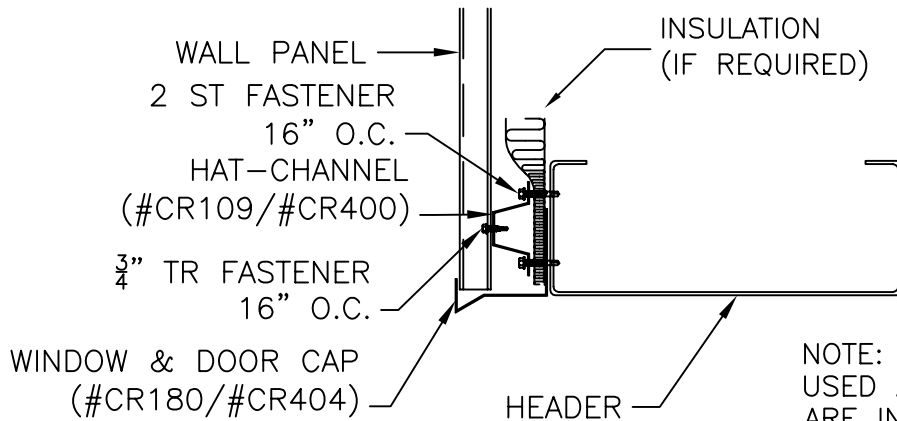
SECTION THRU WALL
PANEL ENDLAP

STARTING



DETAILS AT FRAMED
OPENING WITH HAT-CHANNELS

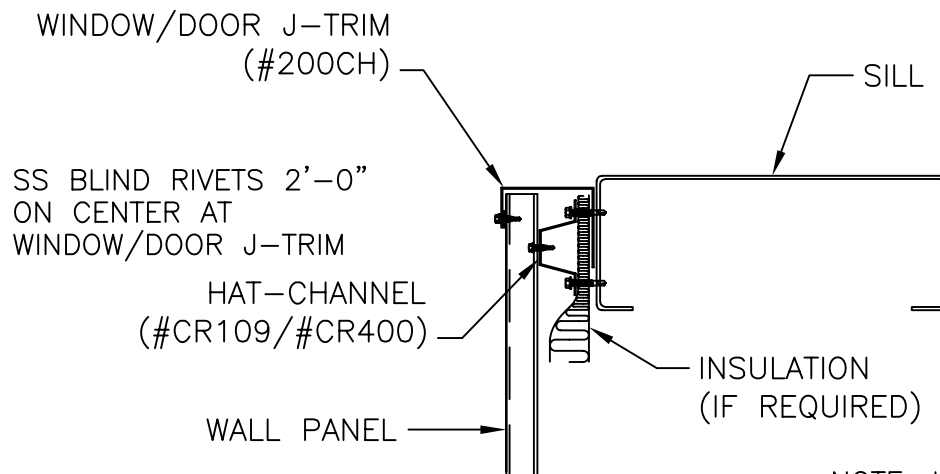
SHT. NO. CRC13	
DATE JUL. 04	REV. 00



NOTE: IF SAG ANGLES ARE USED AND THE SAG ANGLES ARE INSTALLED BEFORE THE PANELS ARE ATTACHED, THE STRAPPING IS NOT REQUIRED.

3 SS BLIND RIVETS PER WINDOW AND DOOR CAP ENDLAP

SECTION THRU FRAMED
OPENING HEADER

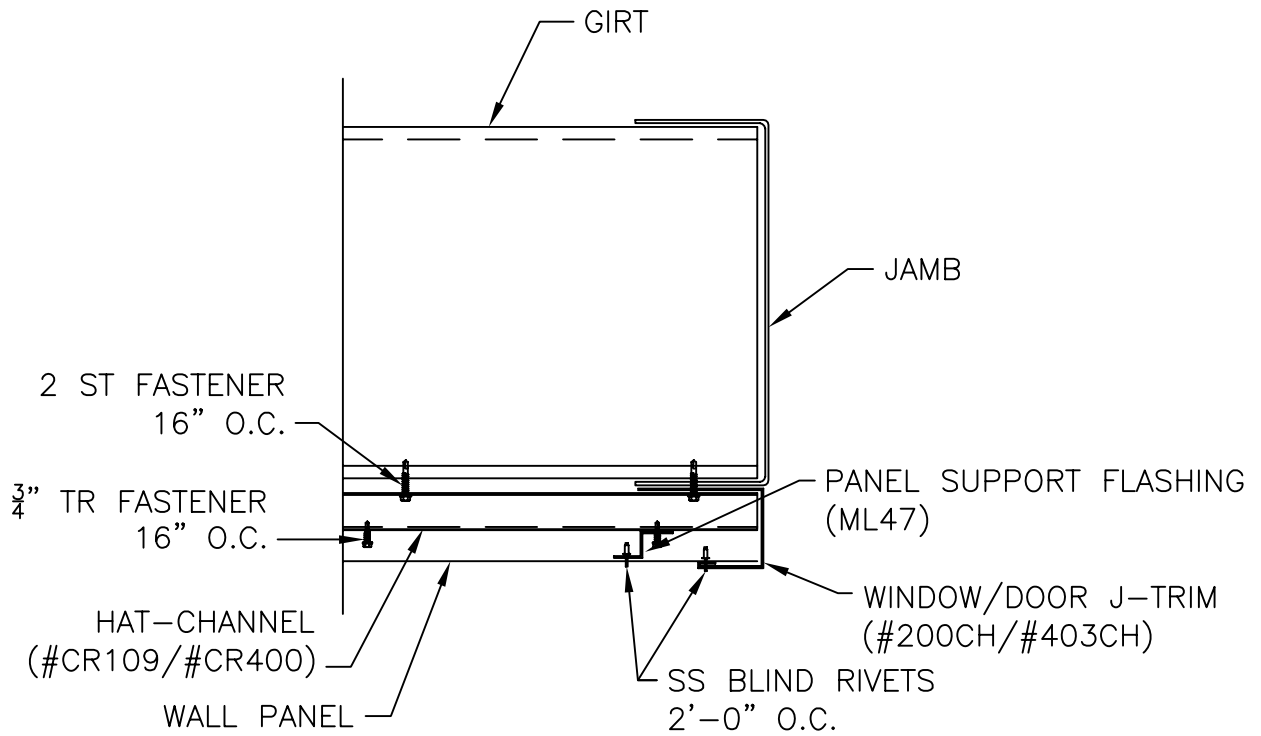


NOTE: IF SAG ANGLES ARE USED AND THE SAG ANGLES ARE INSTALLED BEFORE THE PANELS ARE ATTACHED, THE STRAPPING IS NOT REQUIRED.

SECTION THRU FRAMED
OPENING SILL

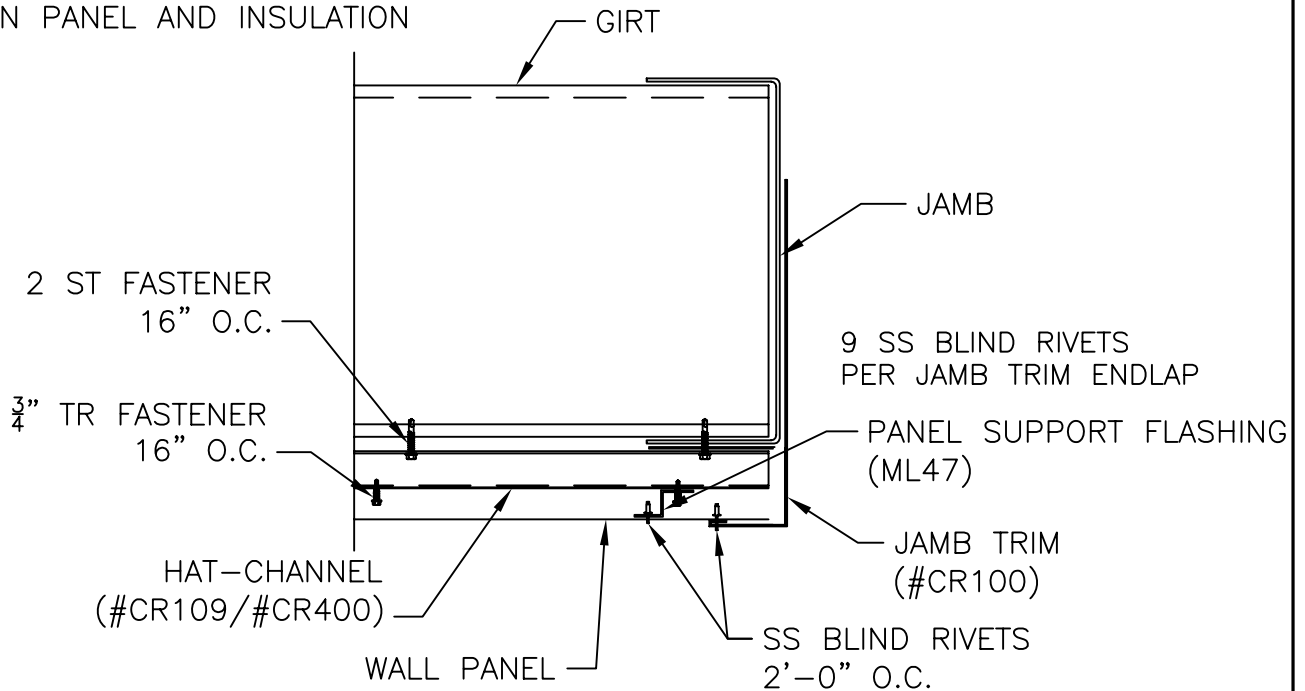
DETAILS AT FRAMED
OPENING WITH HAT-CHANNELS

SHT. NO. CRC14	
DATE JUL. 04	REV. 00



SECTION THRU FRAMED
OPENING JAMB

WHEN INSULATION PLACED
BETWEEN PANEL AND GIRT
HAT-CHANNEL IS PLACED
BETWEEN PANEL AND INSULATION



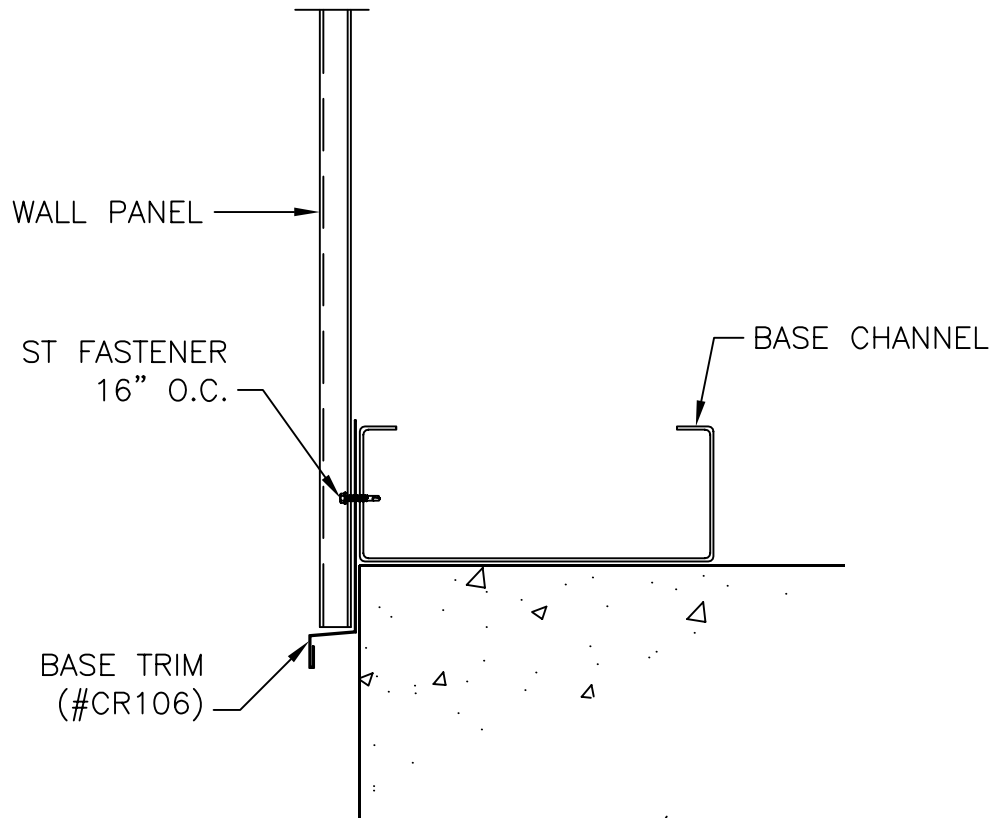
SECTION THRU FRAMED
OPENING JAMB

CECOROC WALL PANEL BASE
DETAILS (WITHOUT HAT-CHANNELS)

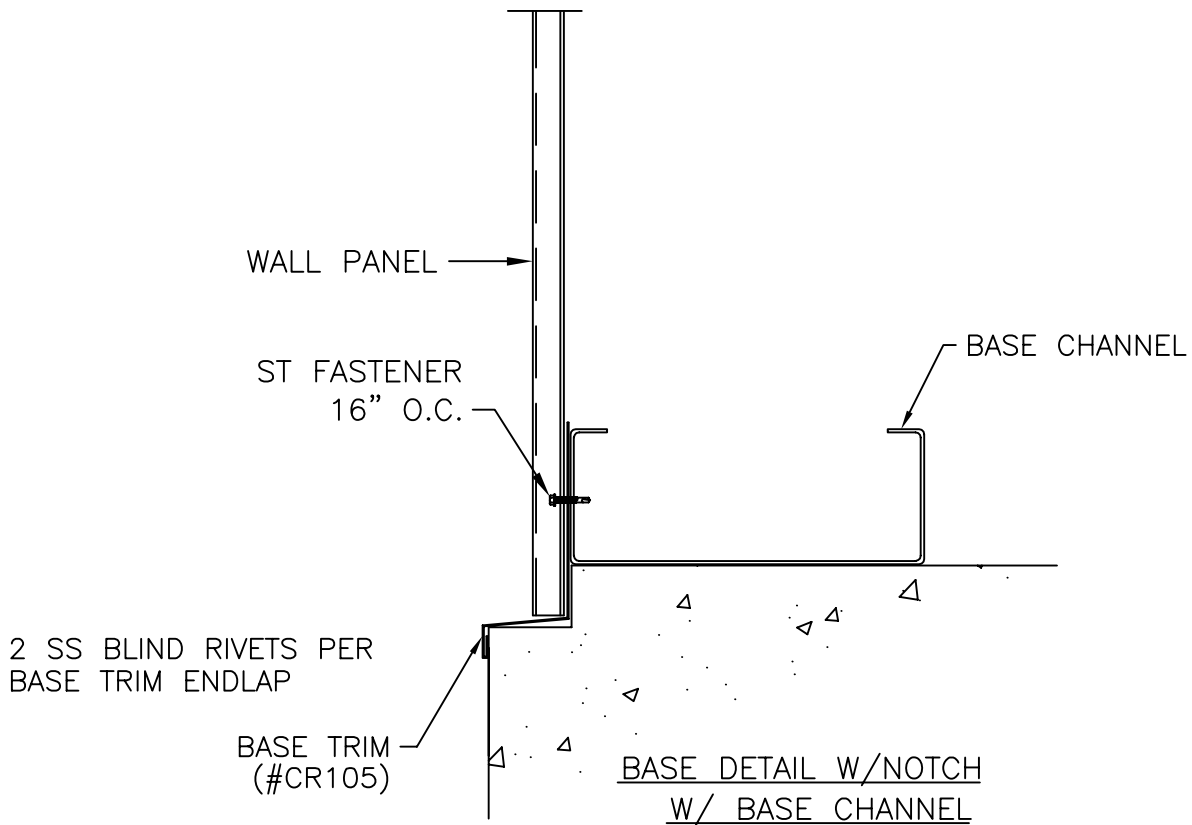
SHT. NO.
CRC15

DATE
SEP. 01

REV.
00

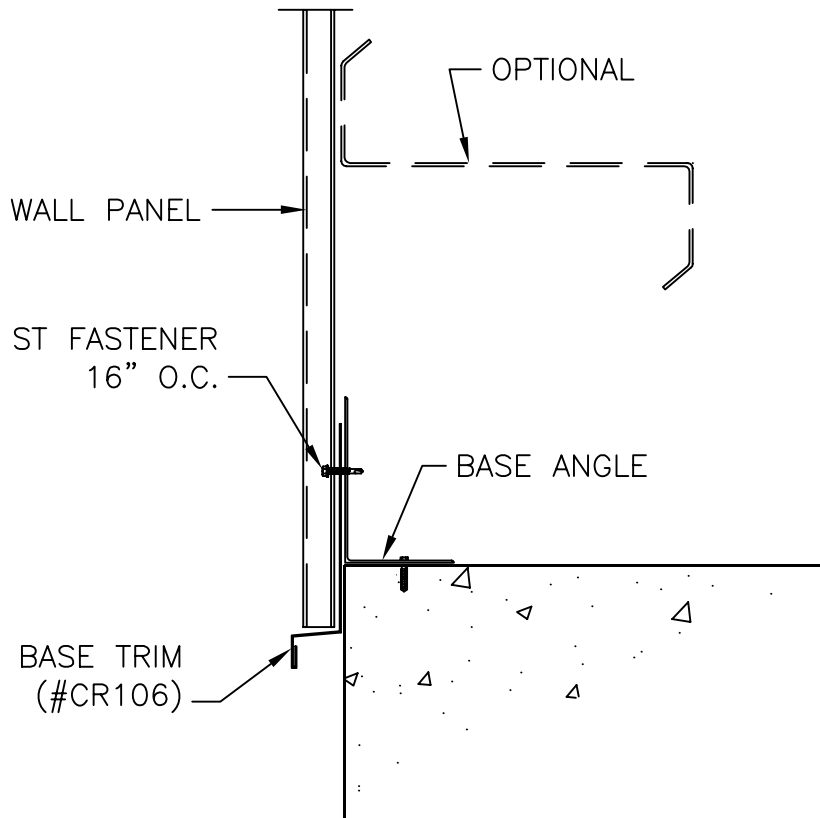


2 SS BLIND RIVETS PER
BASE TRIM ENDLAP



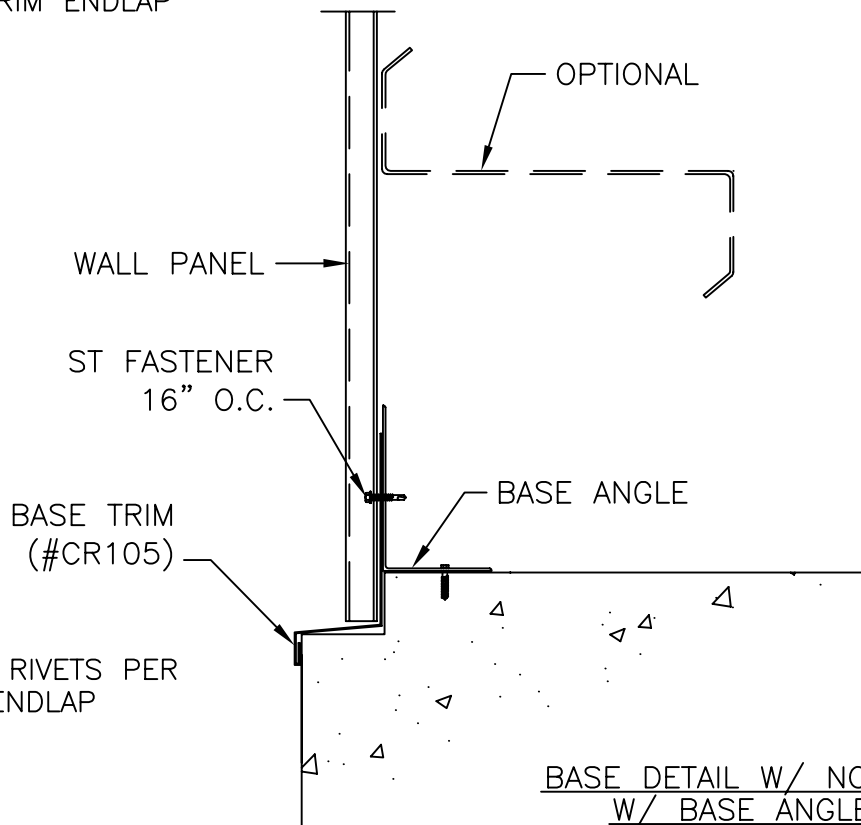
CECOROC WALL PANEL BASE
DETAILS (WITHOUT HAT-CHANNELS)

SHT. NO. CRC16	
DATE SEP. 01	REV. 00



BASE DETAIL W/O NOTCH
W/ BASE ANGLE

2 SS BLIND RIVETS PER
BASE TRIM ENDLAP

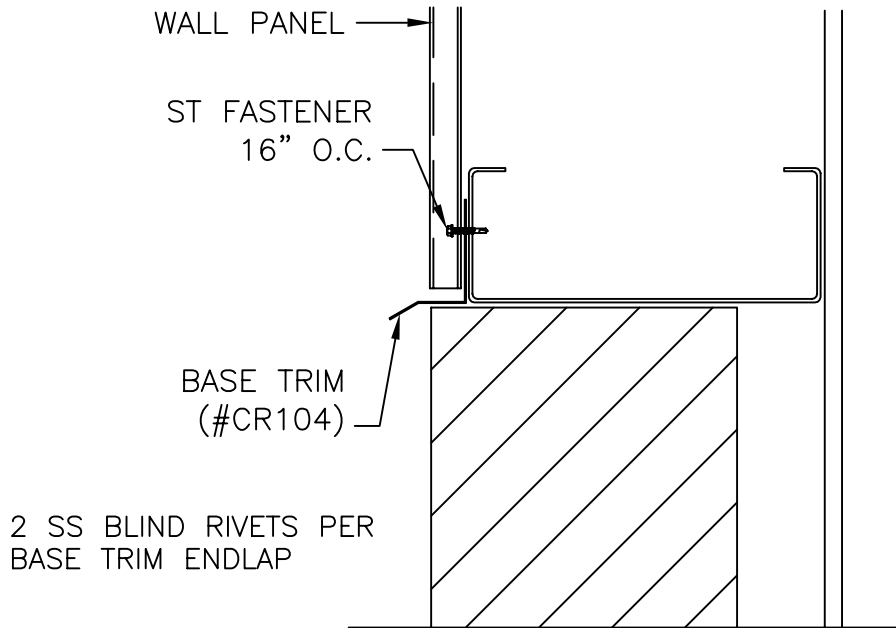


BASE DETAIL W/ NOTCH
W/ BASE ANGLE

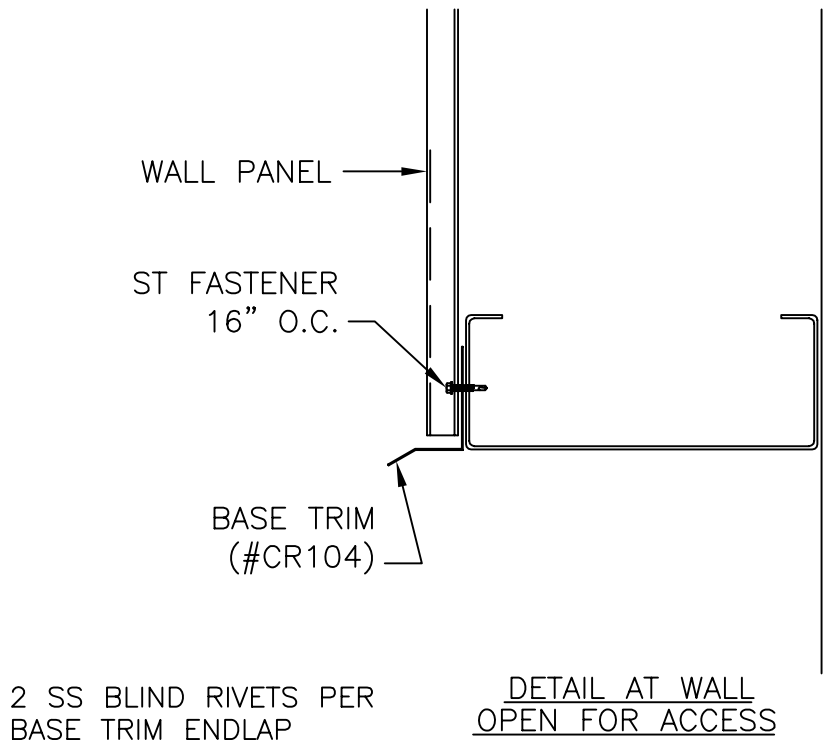
2 SS BLIND RIVETS PER
BASE TRIM ENDLAP

CECOROC WALL PANEL BASE
DETAILS (WITHOUT HAT-CHANNELS)

SHT. NO. CRC17	
DATE SEP. 01	REV. 00



DETAIL AT WALL
OPEN FOR MASONRY



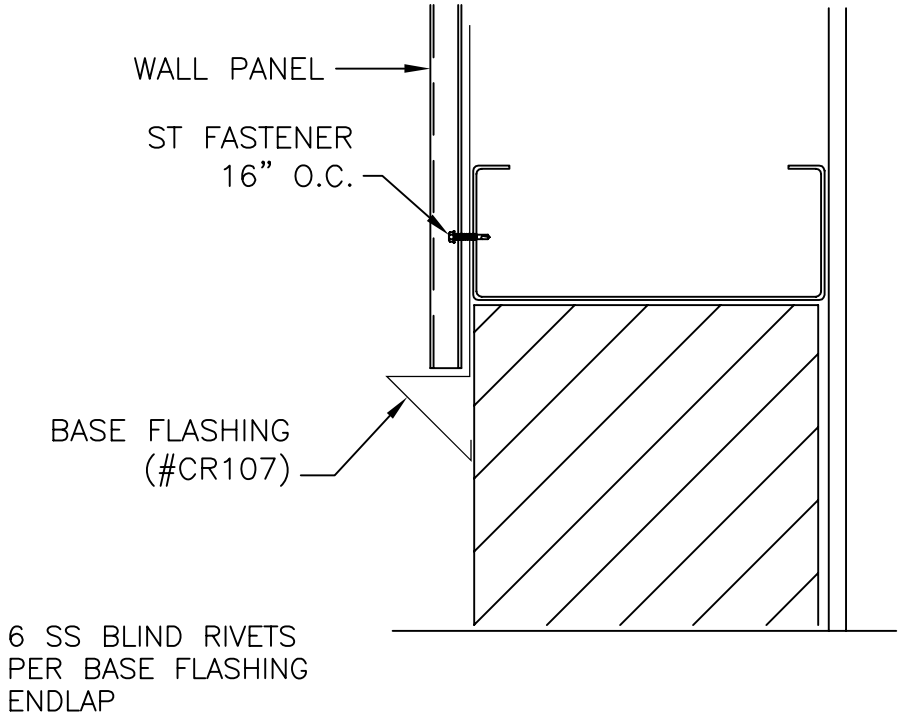
DETAIL AT WALL
OPEN FOR ACCESS

CECOROC WALL PANEL BASE
DETAIL (WITHOUT HAT-CHANNELS)

SHT. NO.
CRC18

DATE
SEP. 01

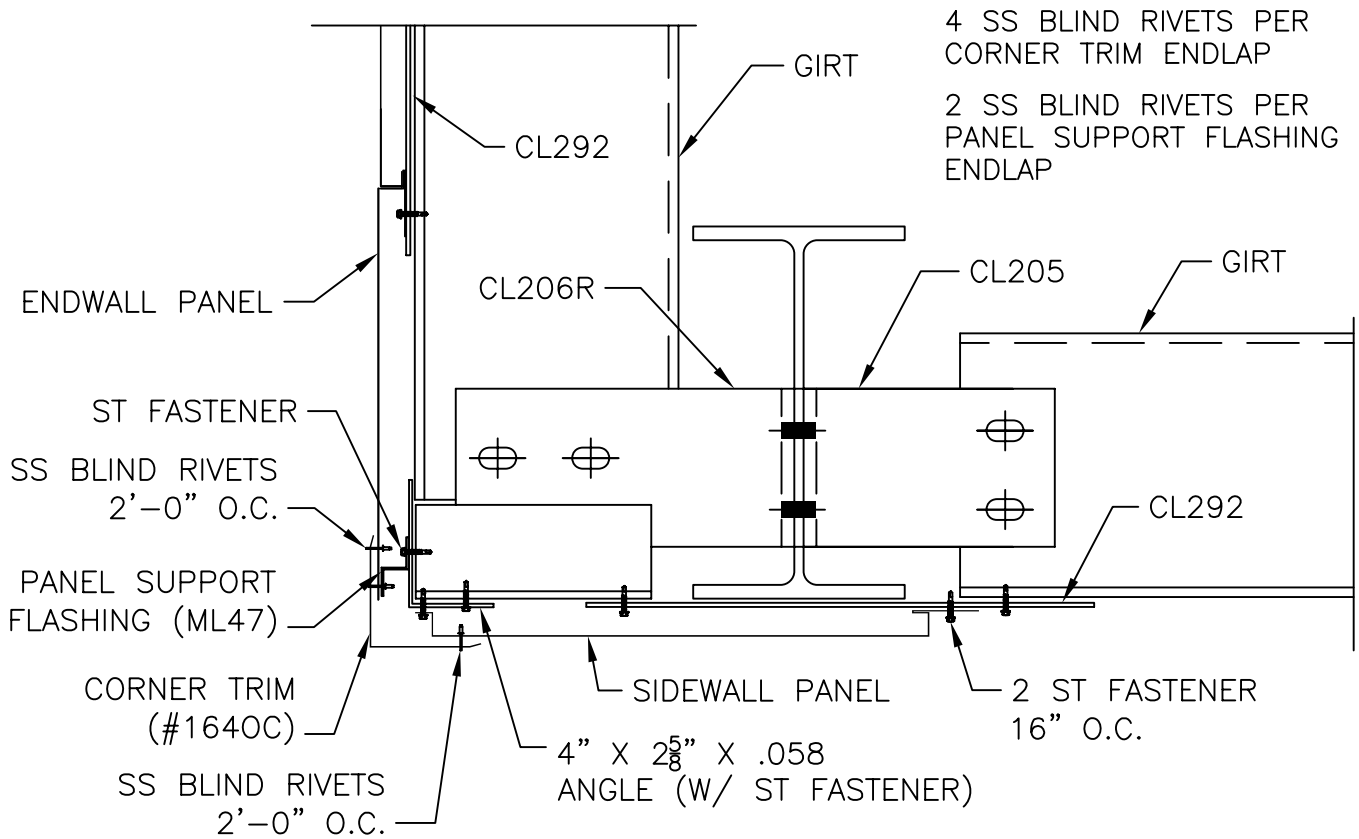
REV.
00



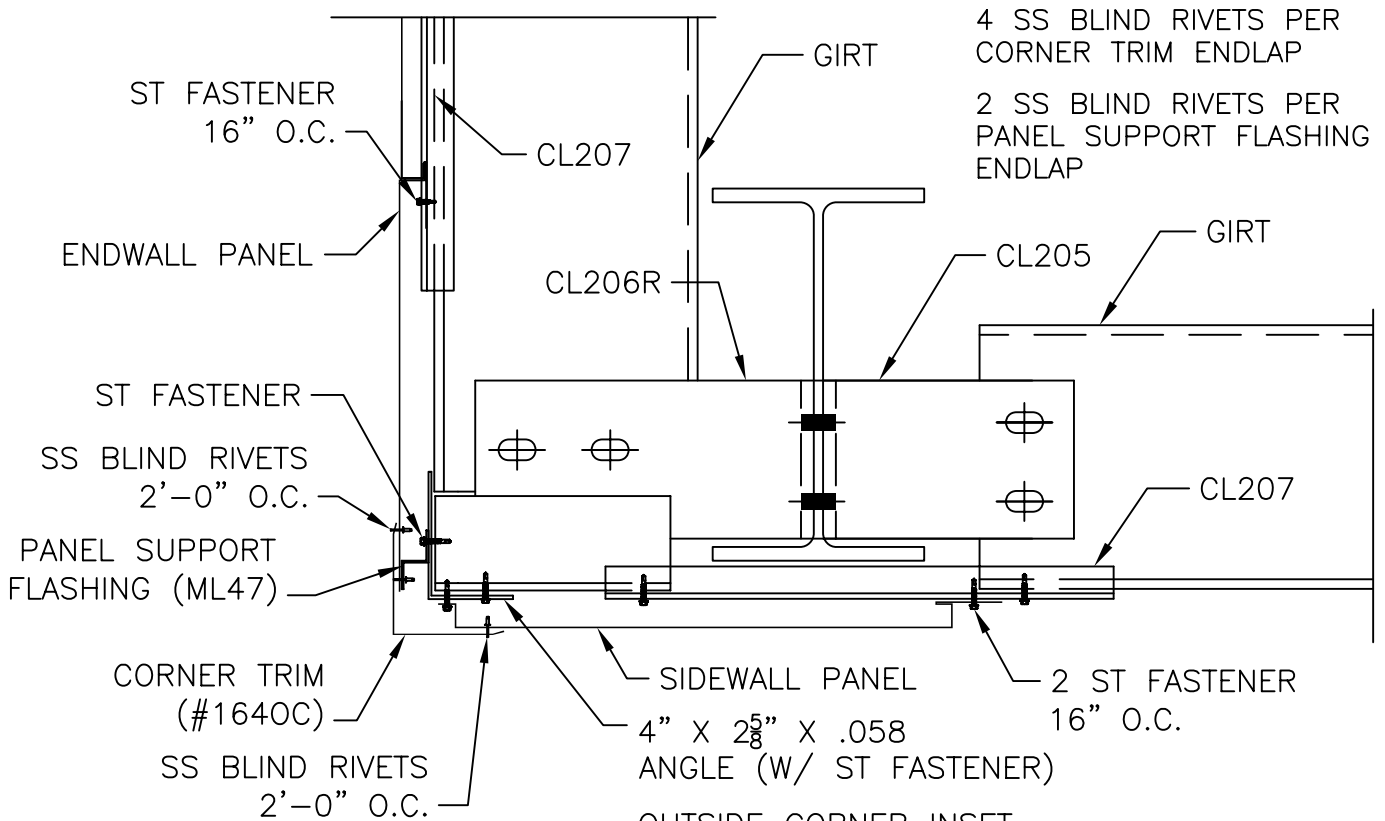
DETAIL AT WALL
OPEN FOR MASONRY

CECOROC WALL PANEL
CORNER DETAILS

SHT. NO. CRC19	
DATE FEB. 03	REV. 00



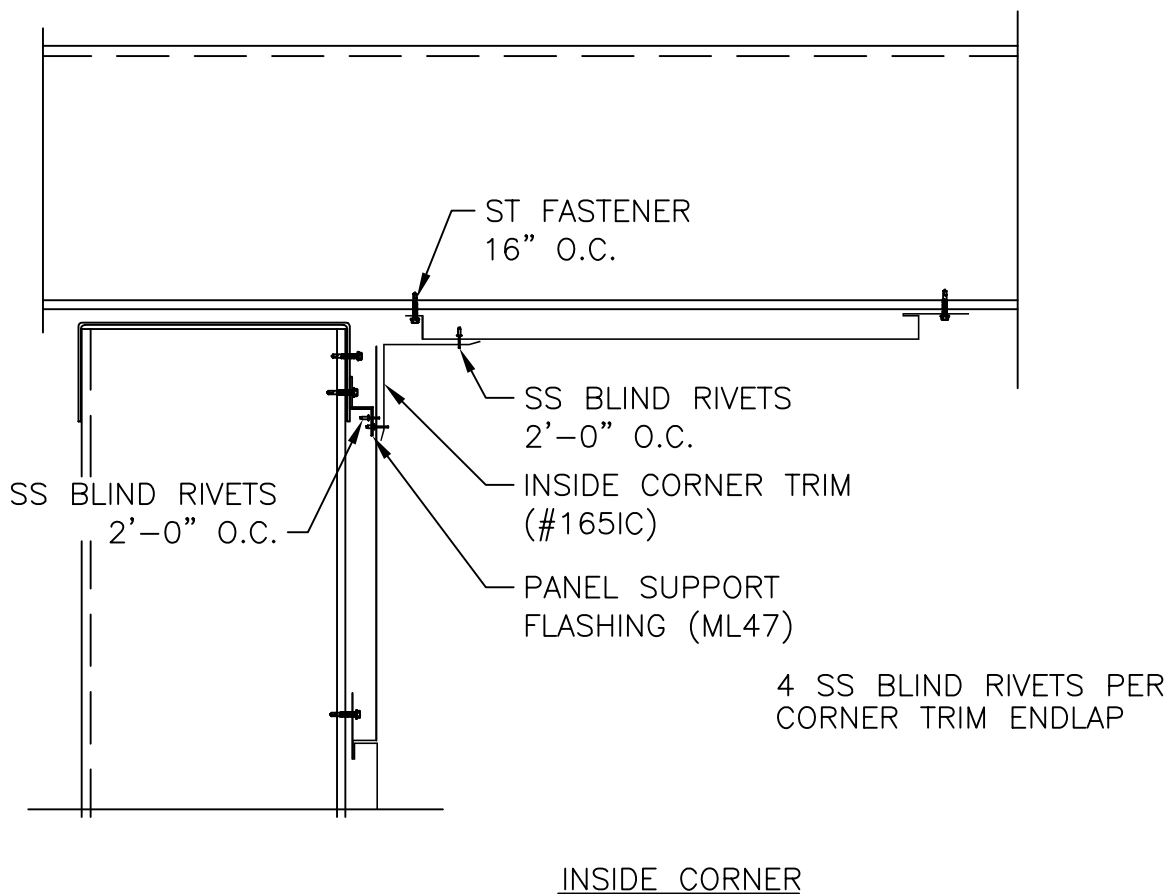
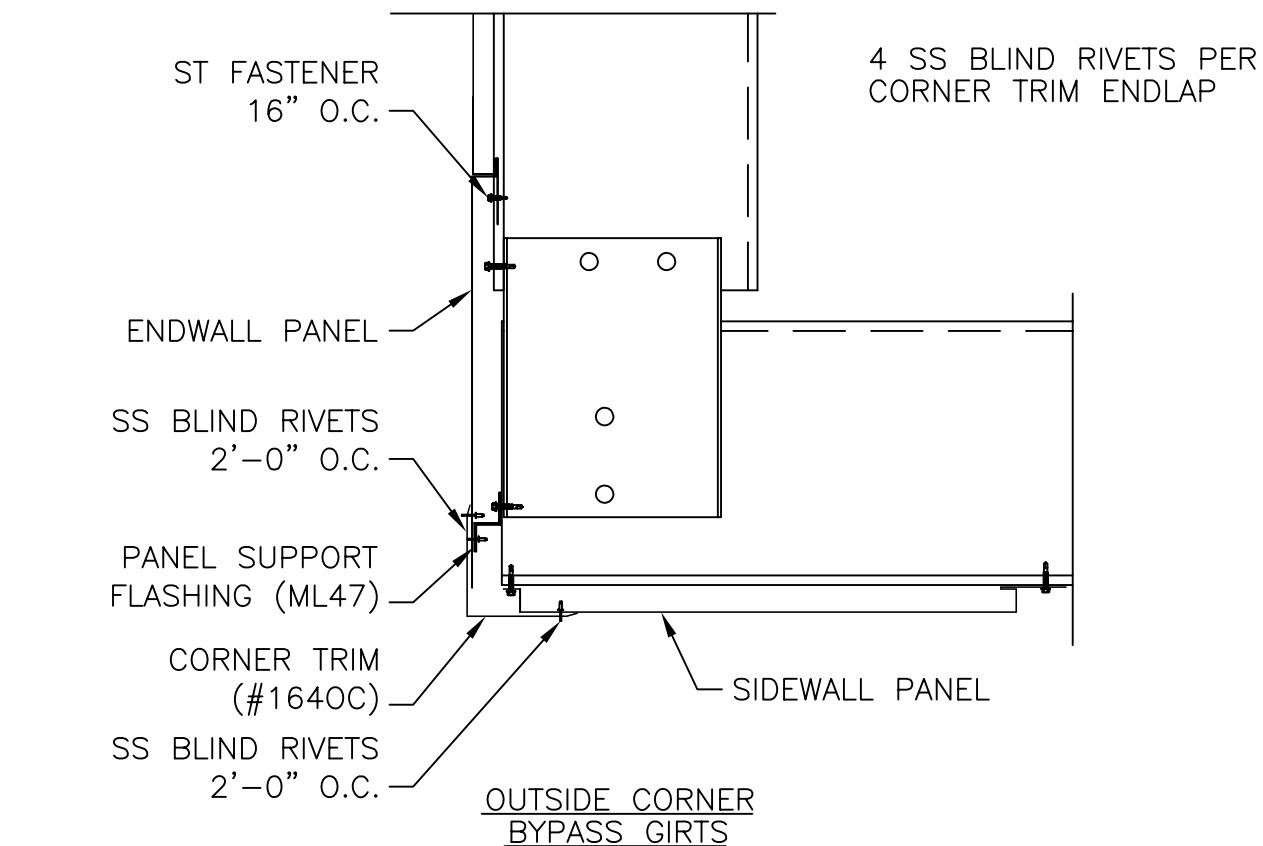
OUTSIDE CORNER FLUSH



OUTSIDE CORNER INSET

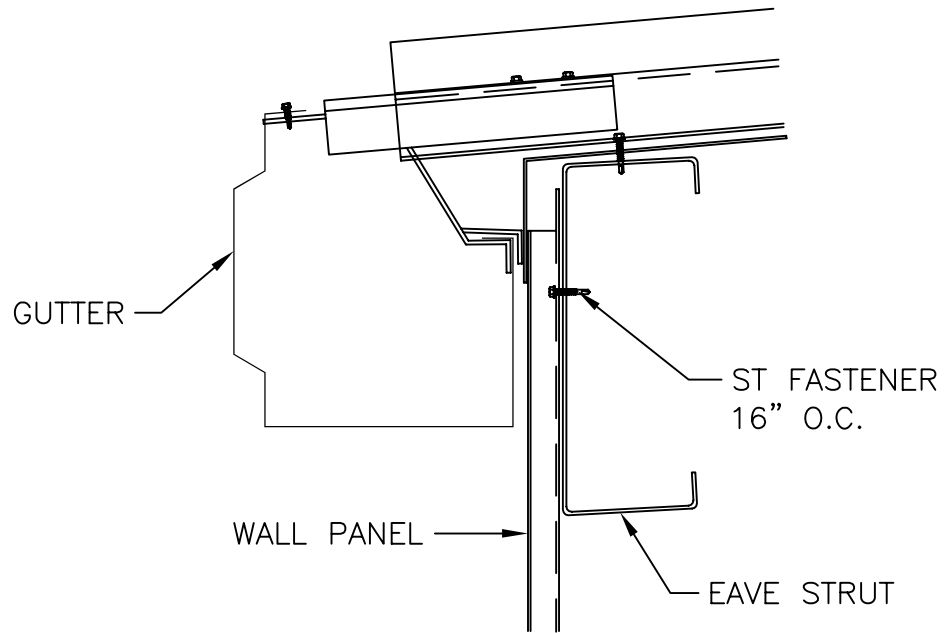
CECOROC WALL PANEL CORNER
DETAILS (WITHOUT HAT-CHANNELS)

SHT. NO. CRC20	
DATE FEB. 03	REV. 00

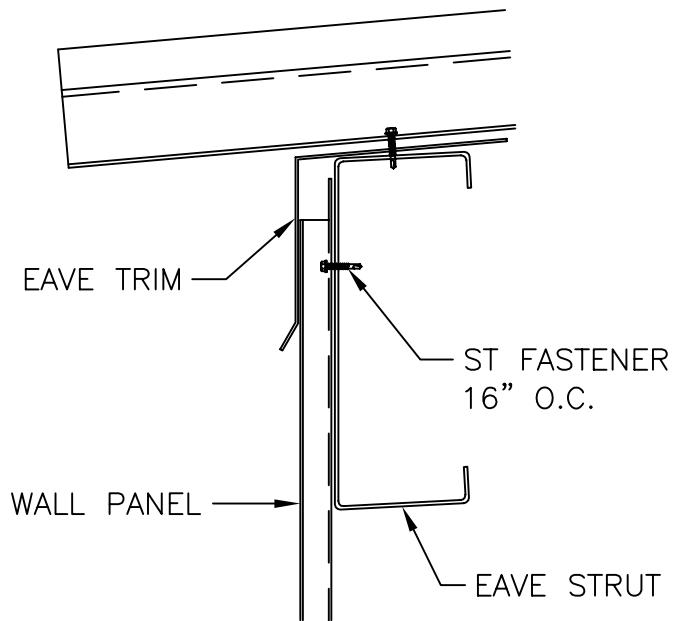


CECOROC WALL PANEL EAVE
DETAILS (WITHOUT HAT-CHANNELS)

SHT. NO. CRC21	
DATE SEP. 01	REV. 00



DETAIL AT GUTTERED EAVE
WITH CECOROC WALL PANEL



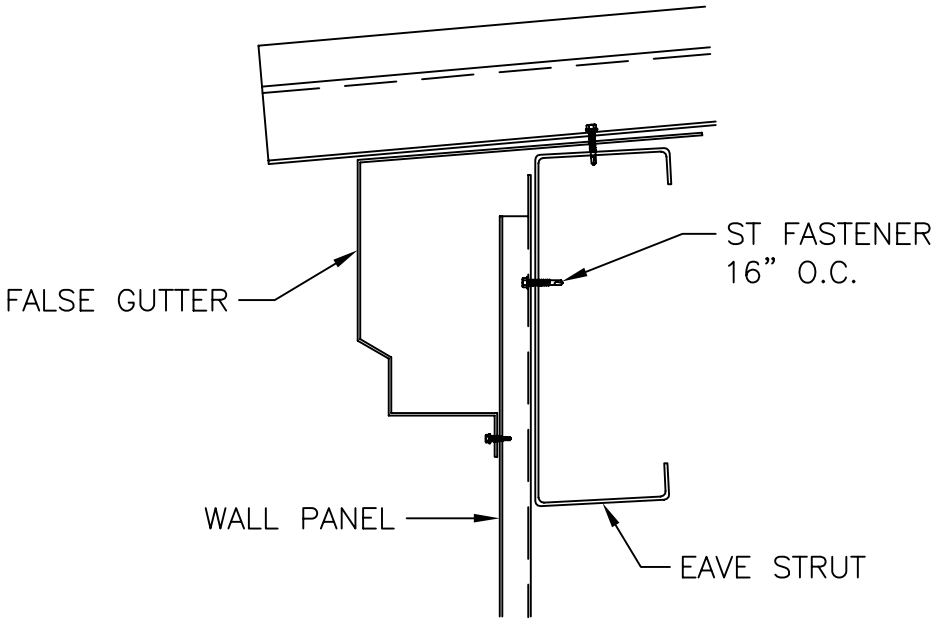
DETAIL AT PLAIN EAVE
WITH CECOROC WALL PANEL

CECOROC WALL PANEL FALSE GUTTER
DETAIL (WITHOUT HAT-CHANNELS)

SHT. NO.
CRC22

DATE
SEP. 01

REV.
00



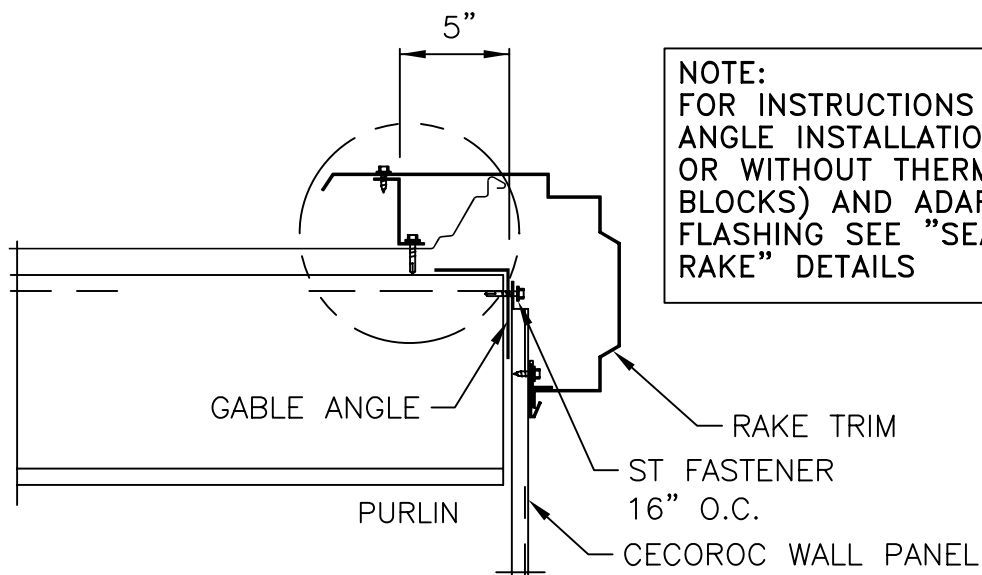
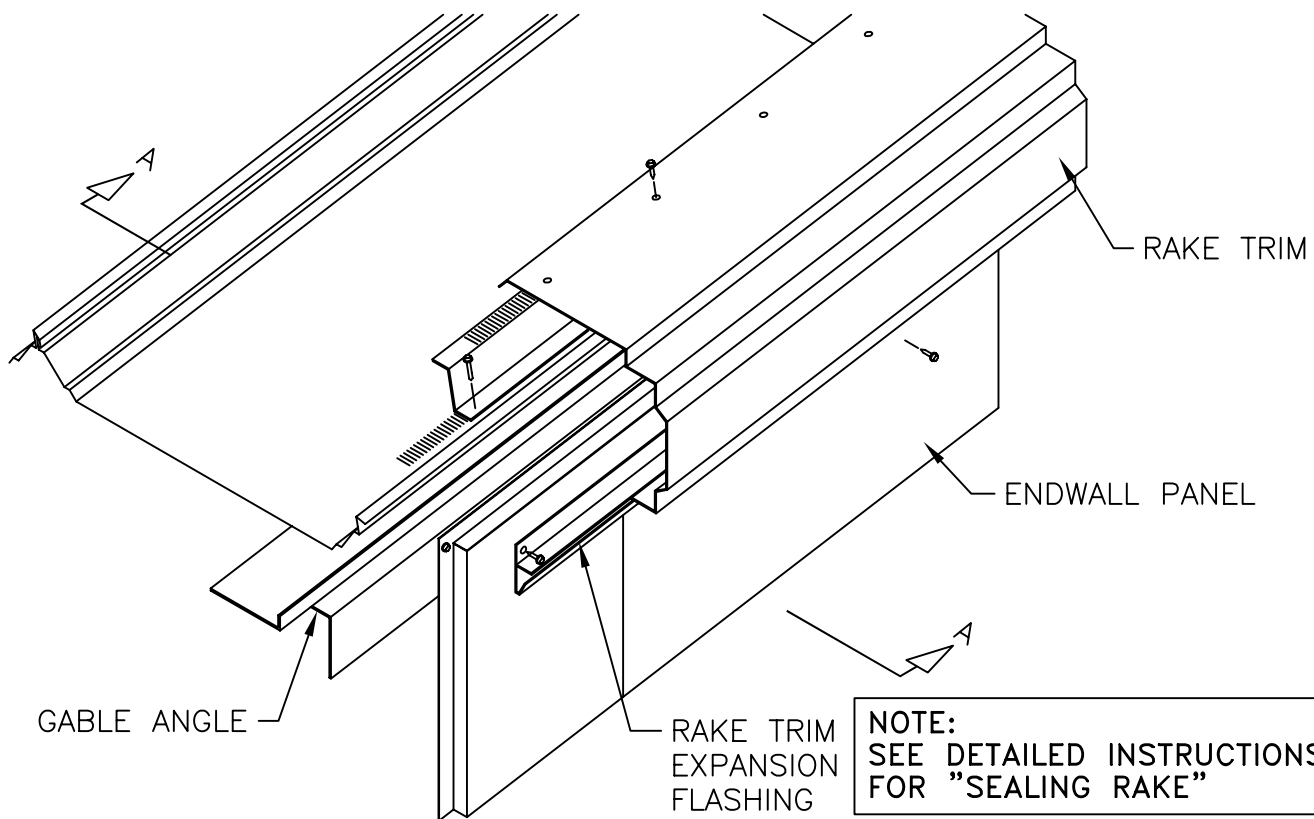
DETAIL AT EAVE WITH FALSE GUTTER
WITH CECOROC WALL PANEL

RAKE DETAIL WITH CECOROC WALL
PANEL WITHOUT HAT-CHANNEL

SHT. NO.
CRC23

DATE
SEP. 01

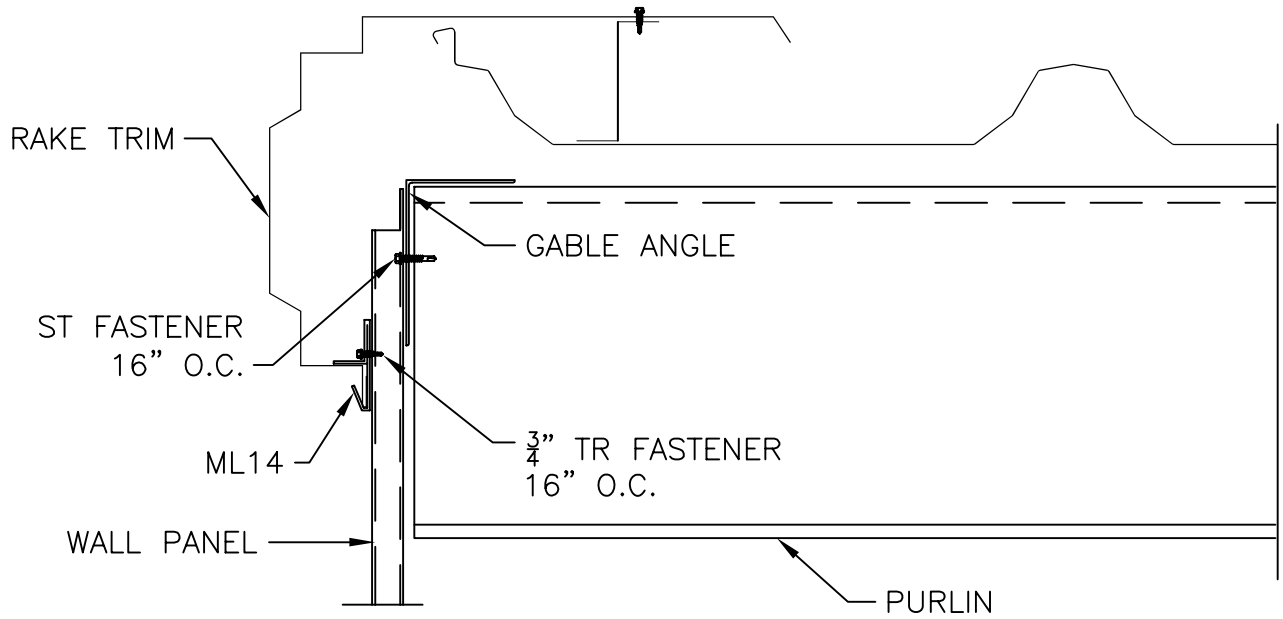
REV.
00



SECTION A-A
SHOWN WITHOUT THERMAL BLOCK

CECOROC WALL PANEL RAKE
DETAIL WITHOUT HAT-CHANNEL

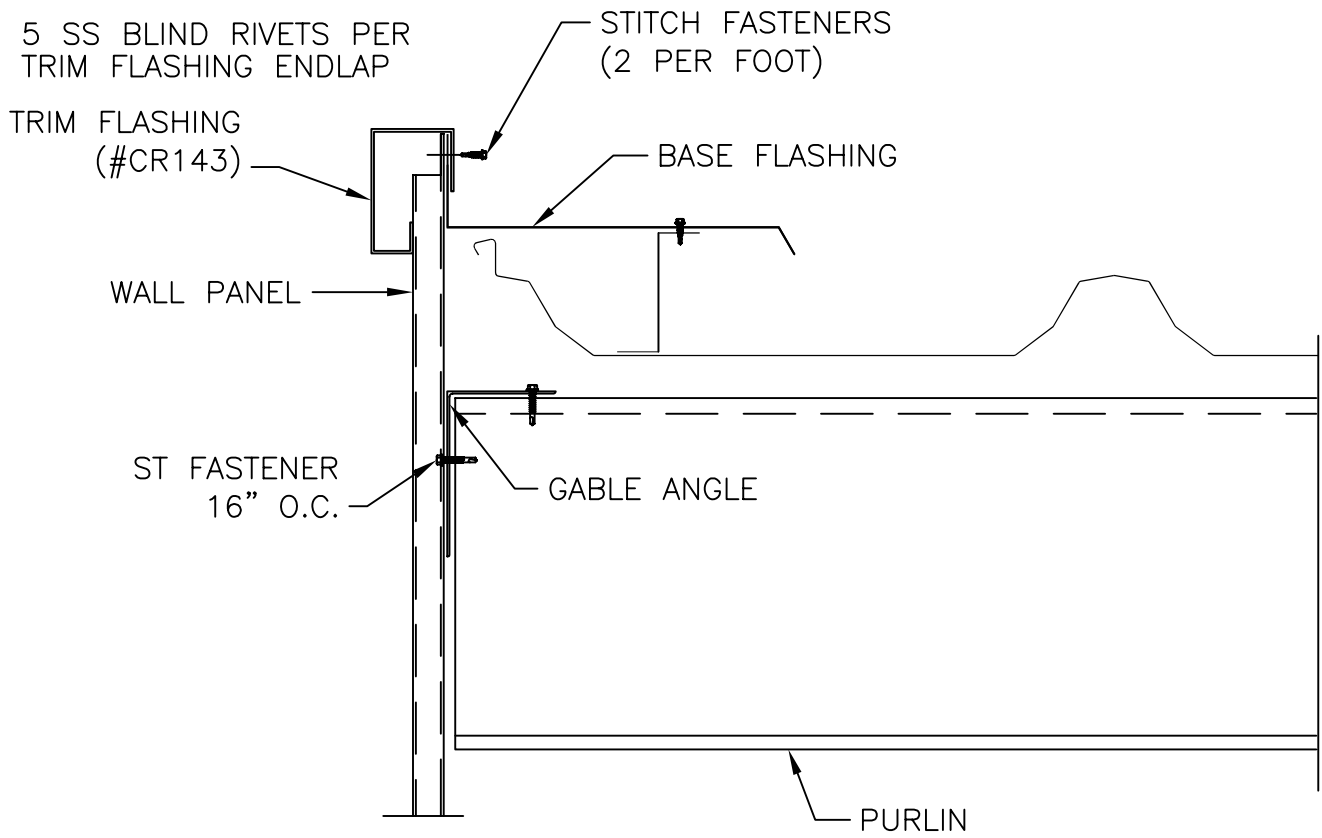
SHT. NO. CRC24	
DATE FEB. 02	REV. 00



DETAIL AT RAKE
WITH CECOROC WALL PANEL

CECOROC WALL PANEL PLAZA ENDWALL
DETAIL WITHOUT HAT-CHANNEL

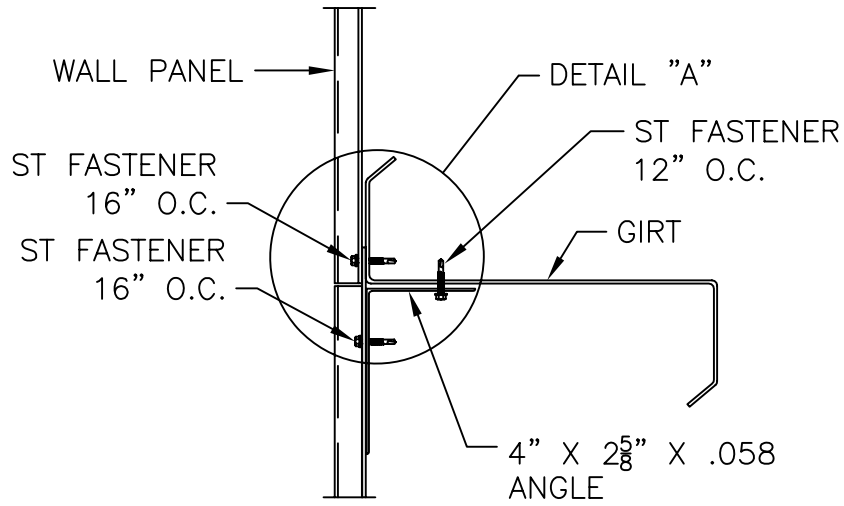
SHT. NO. CRC24A	
DATE FEB. 02	REV. 00



DETAIL AT PLAZA ENDWALL
WITH CECOROC WALL PANEL

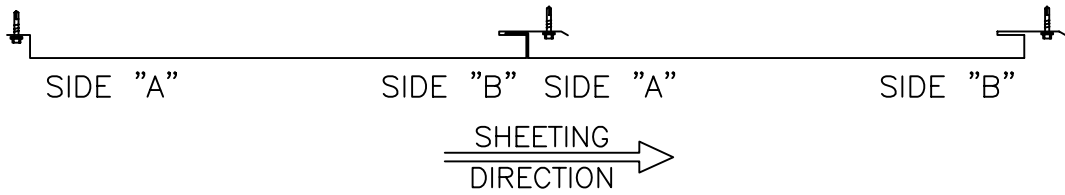
DETAIL AT CECOROC WALL PANEL
SPLICE WITHOUT HAT-CHANNEL

SHT. NO. CRC25	
DATE SEP. 01	REV. 00

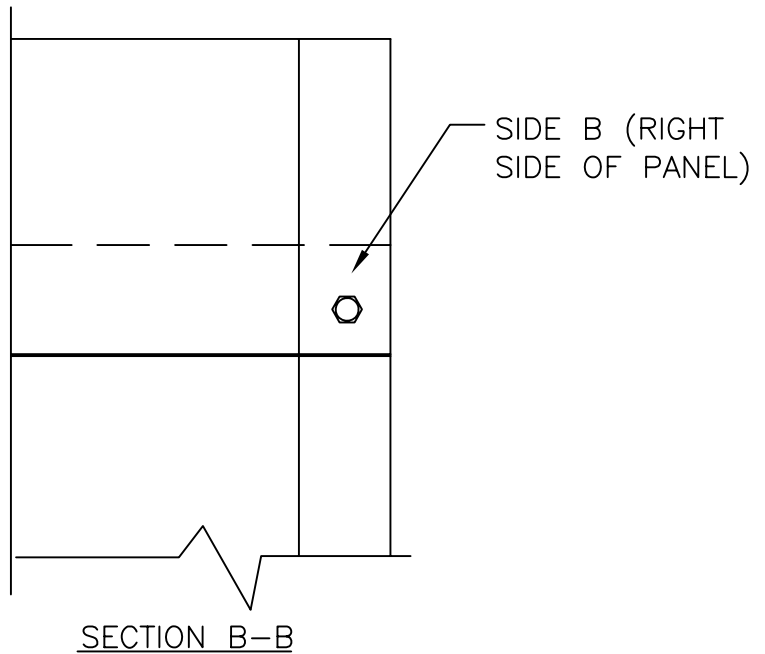
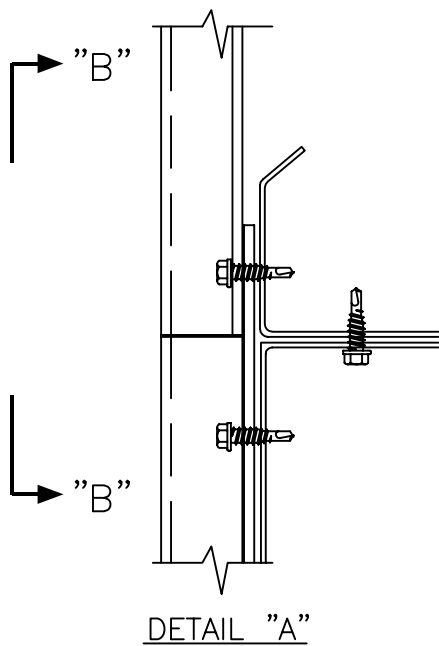


SECTION THRU WALL
PANEL ENDLAP

STARTING

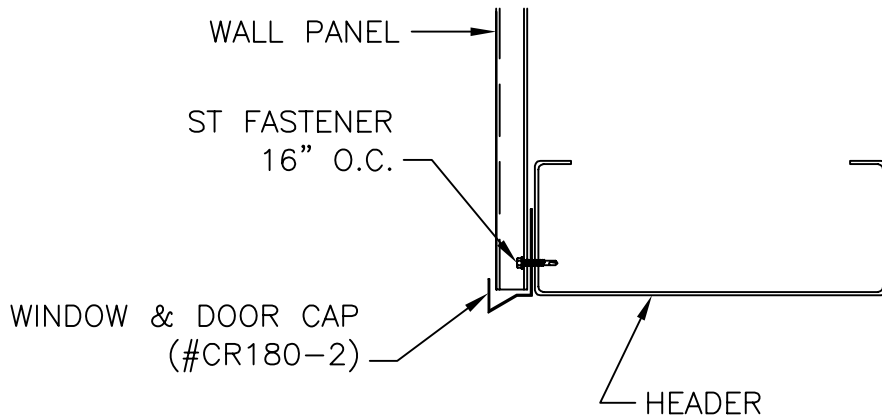


LAPPING



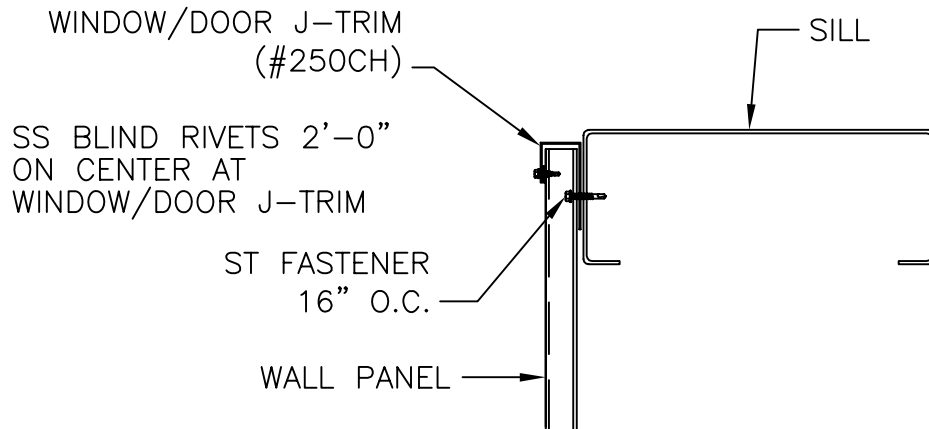
DETAILS AT FRAMED OPENING
WITHOUT HAT-CHANNEL

SHT. NO. CRC26	
DATE JUL. 04	REV. 00



3 SS BLIND RIVETS PER
WINDOW AND DOOR CAP ENDLAP

SECTION THRU FRAMED
OPENING HEADER

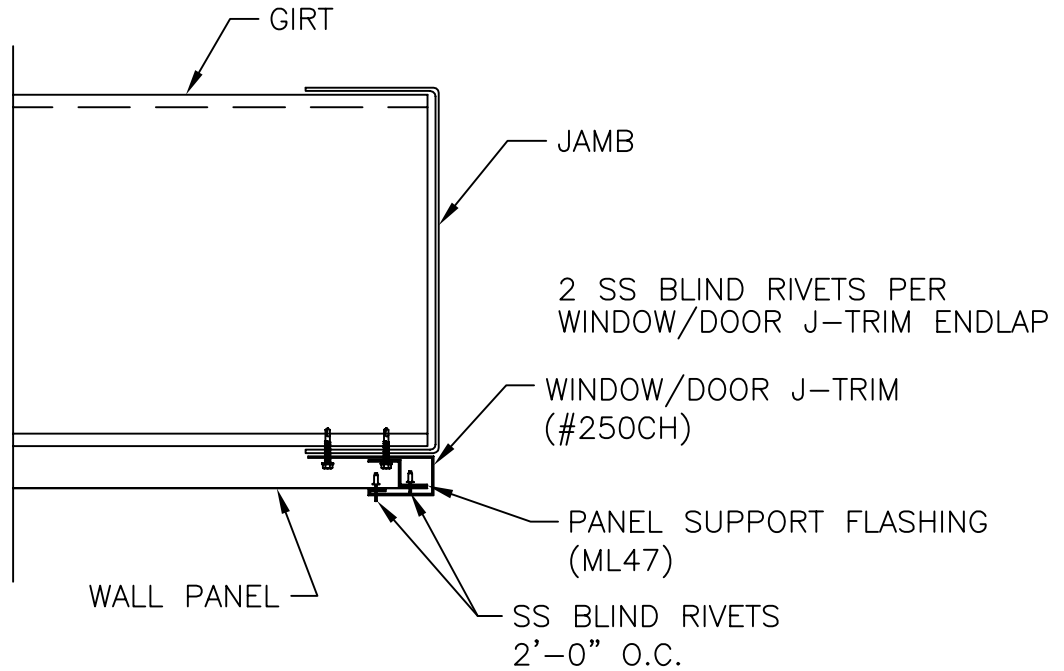


SECTION THRU FRAMED
OPENING SILL

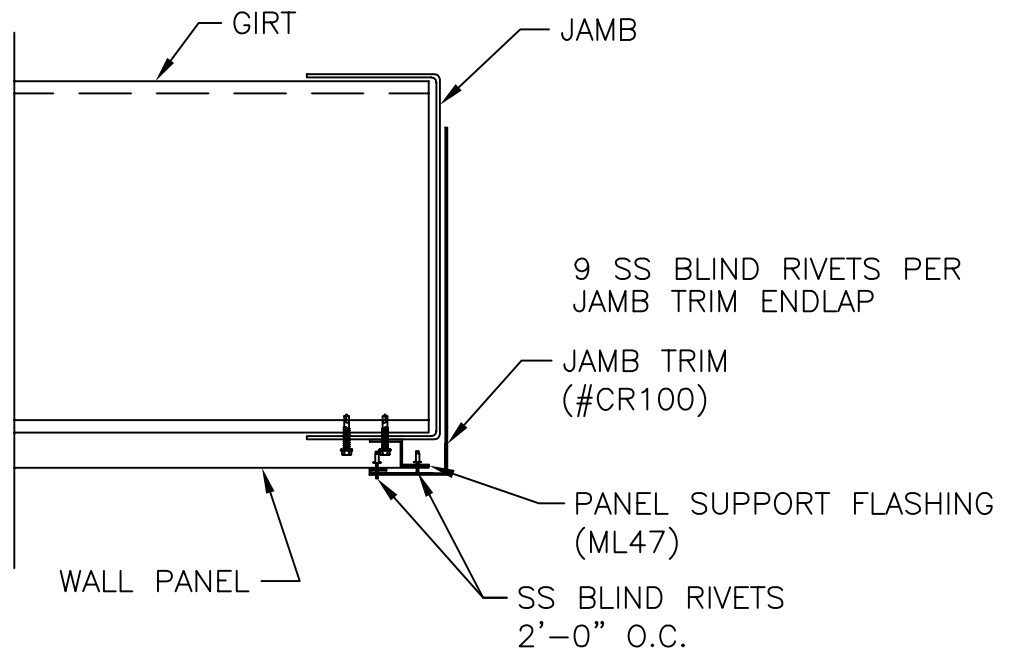
DETAILS AT FRAMED OPENINGS
WITHOUT HAT-CHANNEL

SHT. NO.
CRC27

DATE FEB. 03 REV. 00



SECTION THRU FRAMED
OPENING JAMB



SECTION THRU FRAMED
OPENING JAMB