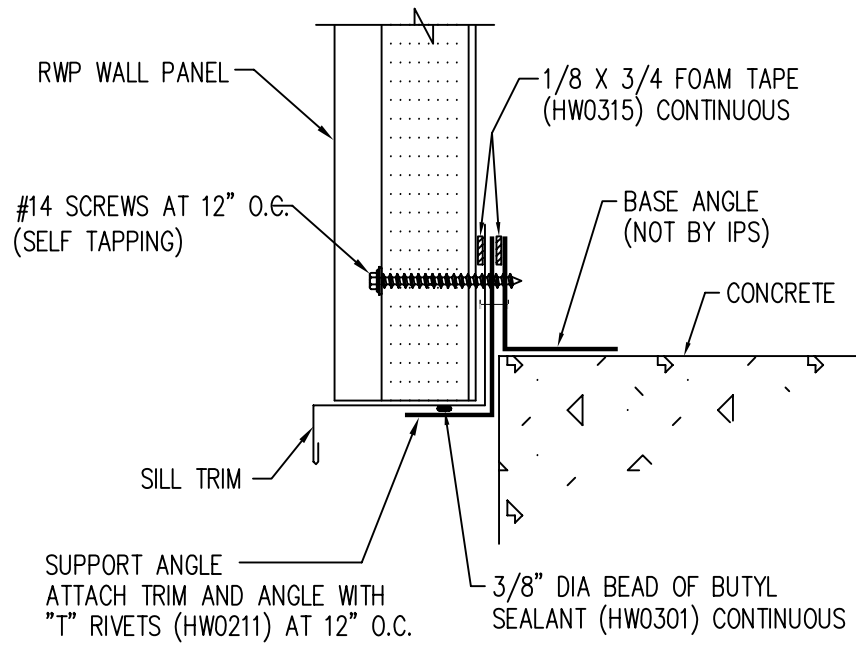
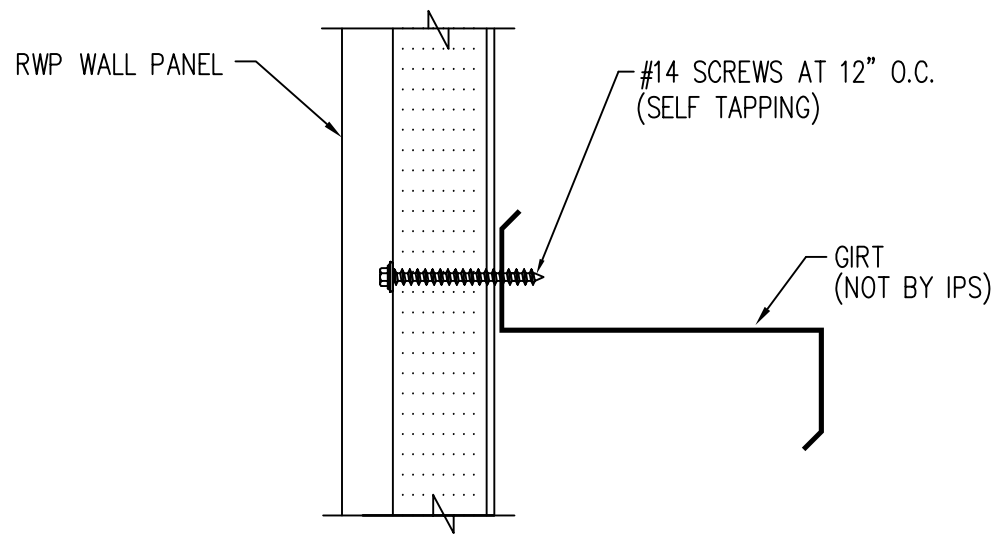


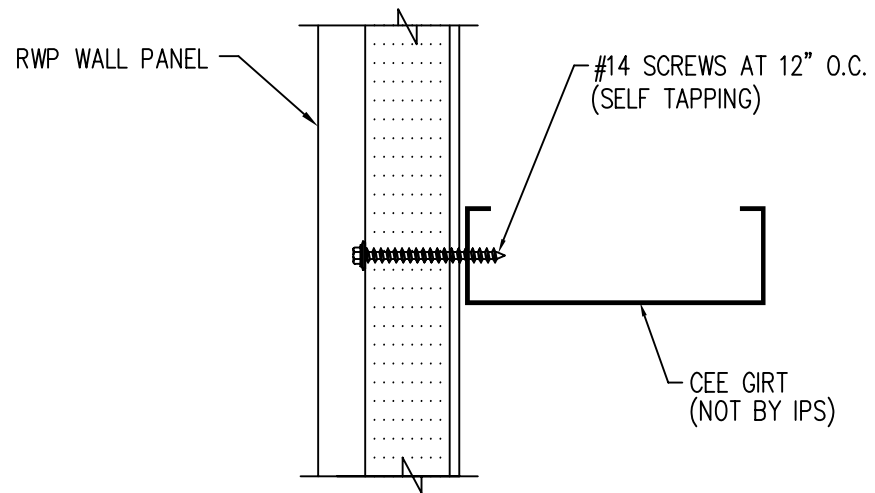
WALL BASE WITH RECESS



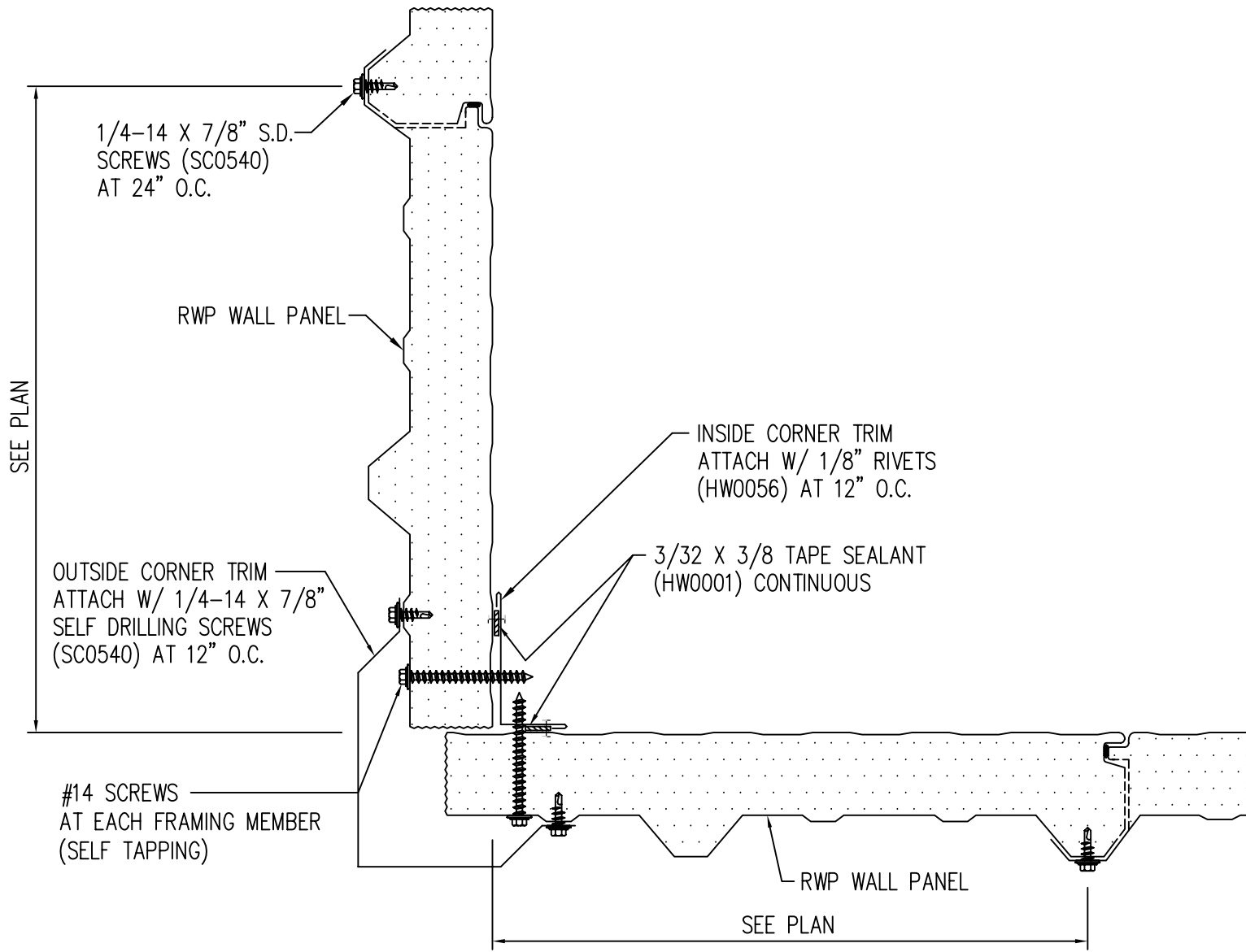
WALL BASE WITHOUT RECESS



GIRT FRAMING WITH COLD FORMED ZEE



GIRT FRAMING WITH COLD FORMED CEE



1/4-14 X 7/8" S.D.
SCREWS (SC0540)
AT 24" O.C.

RWP WALL PANEL

SEE PLAN

INSIDE CORNER TRIM
ATTACH W/ 1/8" RIVETS
(HW0056) AT 12" O.C.

3/32 X 3/8 TAPE SEALANT
(HW0001) CONTINUOUS

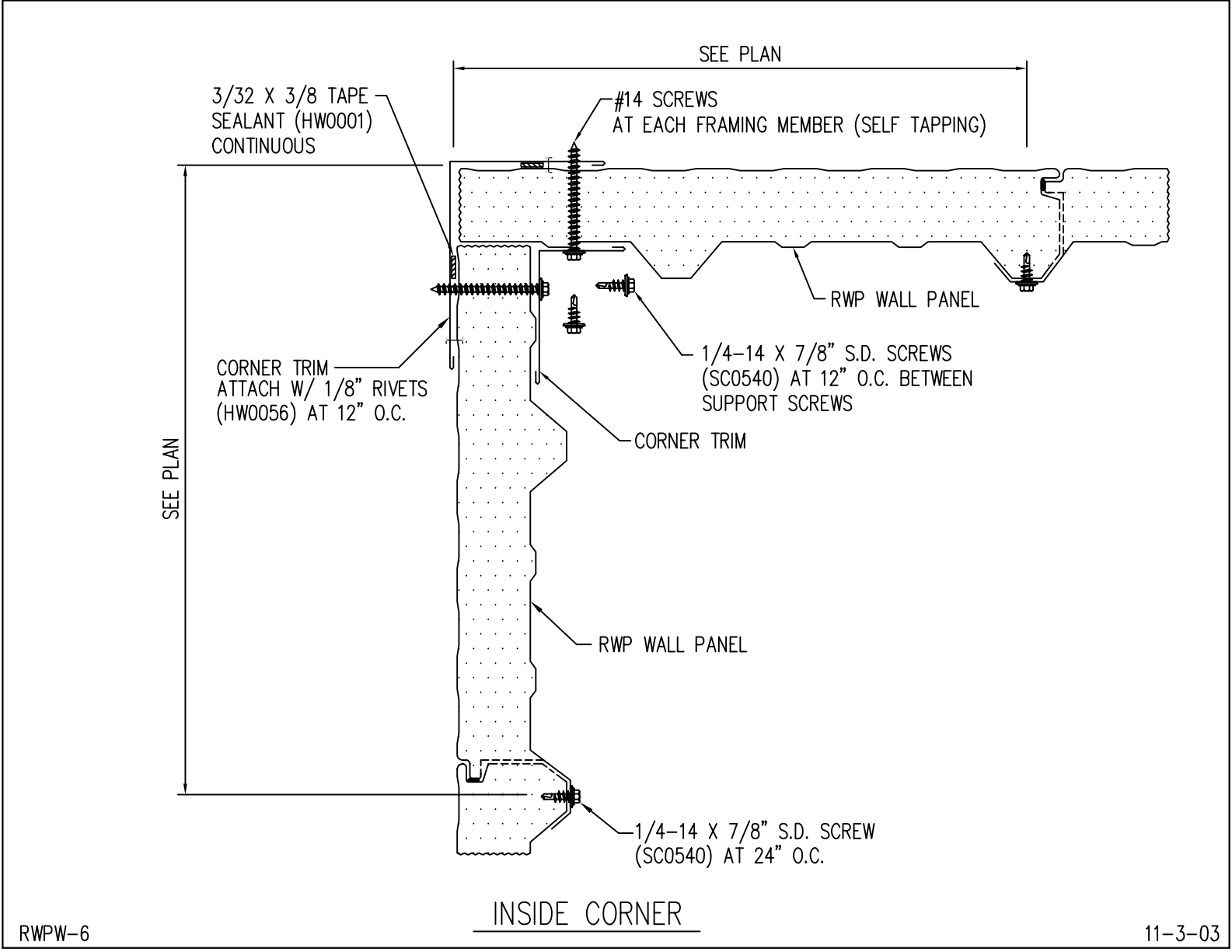
OUTSIDE CORNER TRIM
ATTACH W/ 1/4-14 X 7/8"
SELF DRILLING SCREWS
(SC0540) AT 12" O.C.

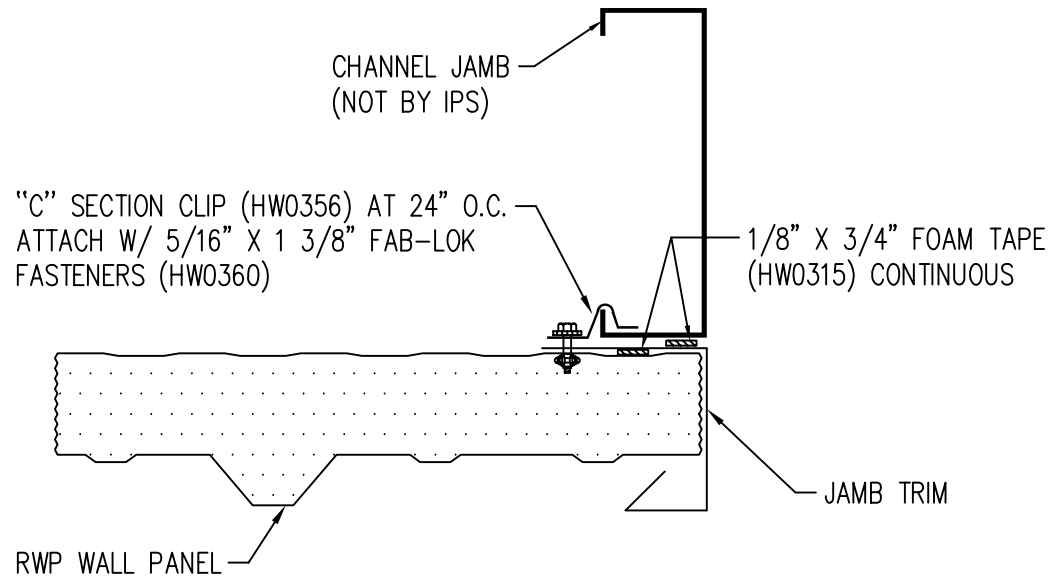
#14 SCREWS
AT EACH FRAMING MEMBER
(SELF TAPPING)

RWP WALL PANEL

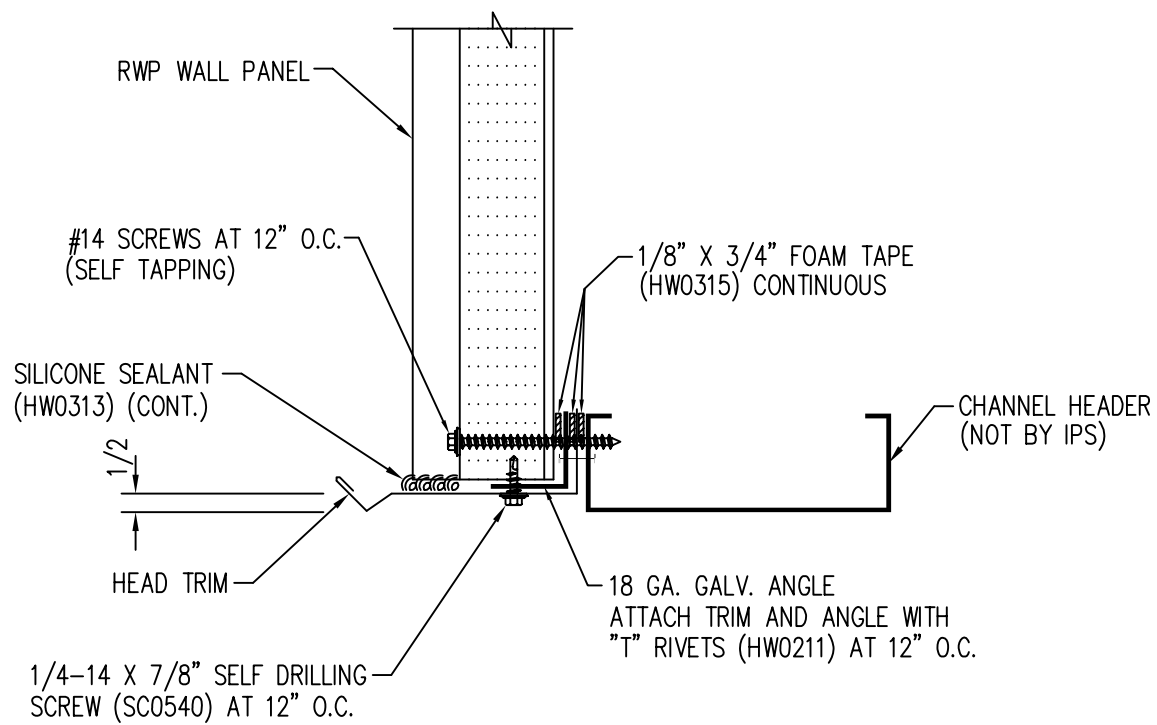
SEE PLAN

OUTSIDE CORNER

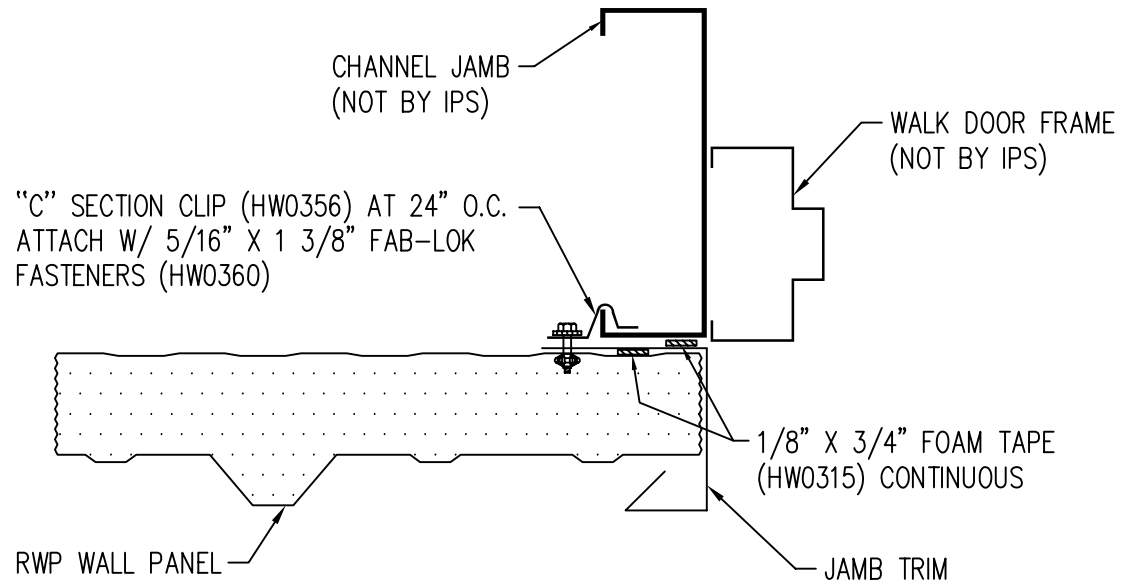




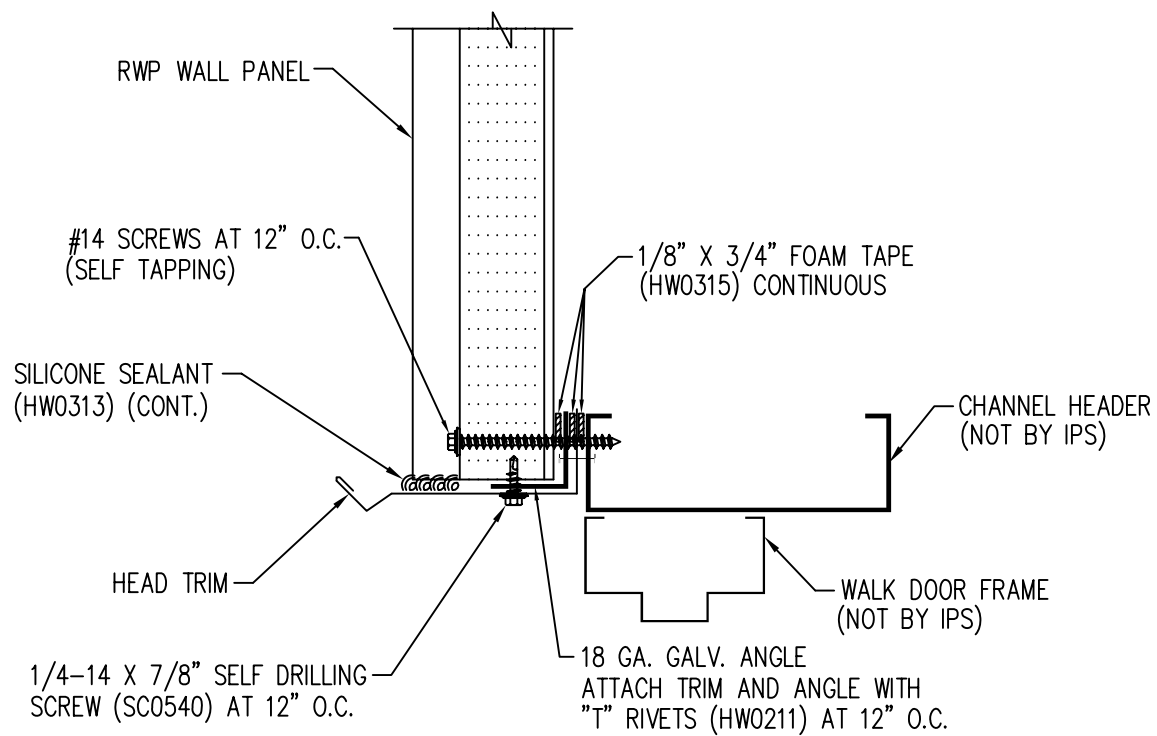
JAMB DETAIL AT OVERHEAD DOOR



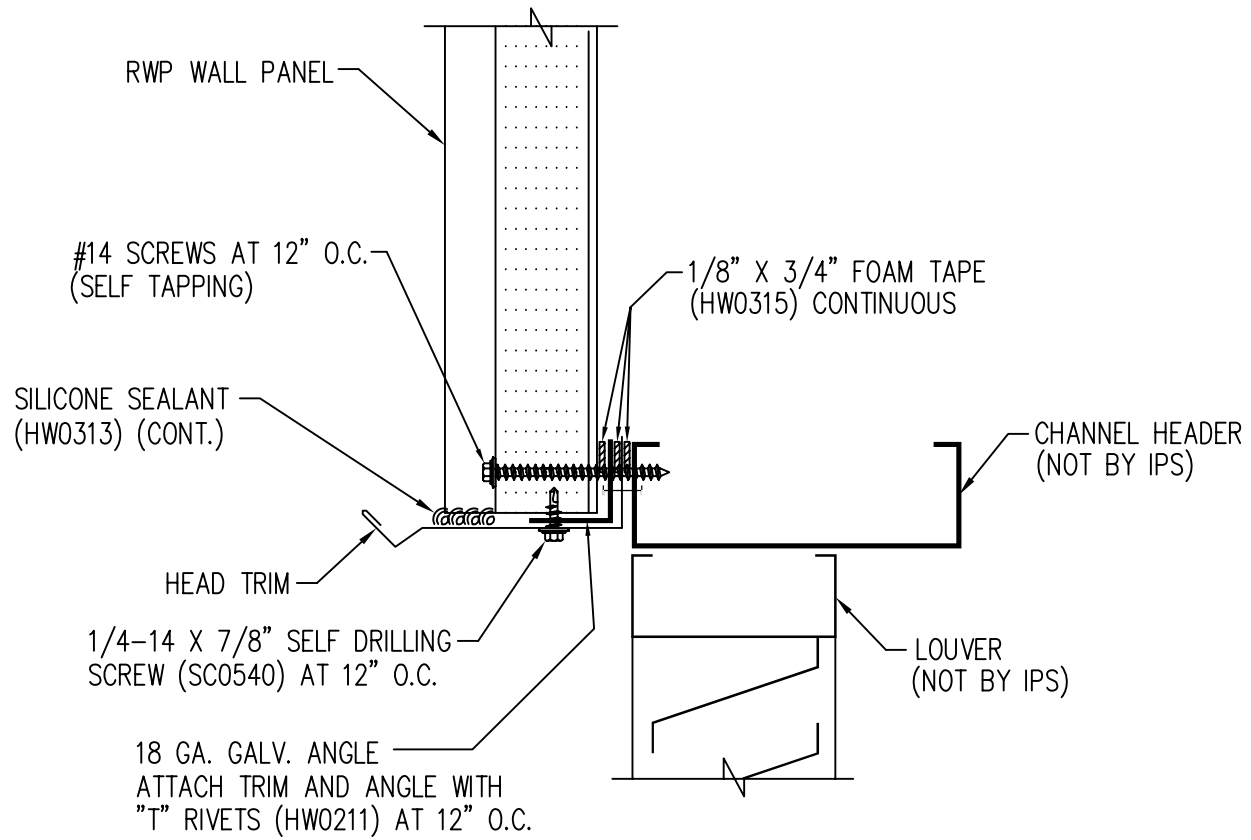
HEAD DETAIL AT OVERHEAD DOOR



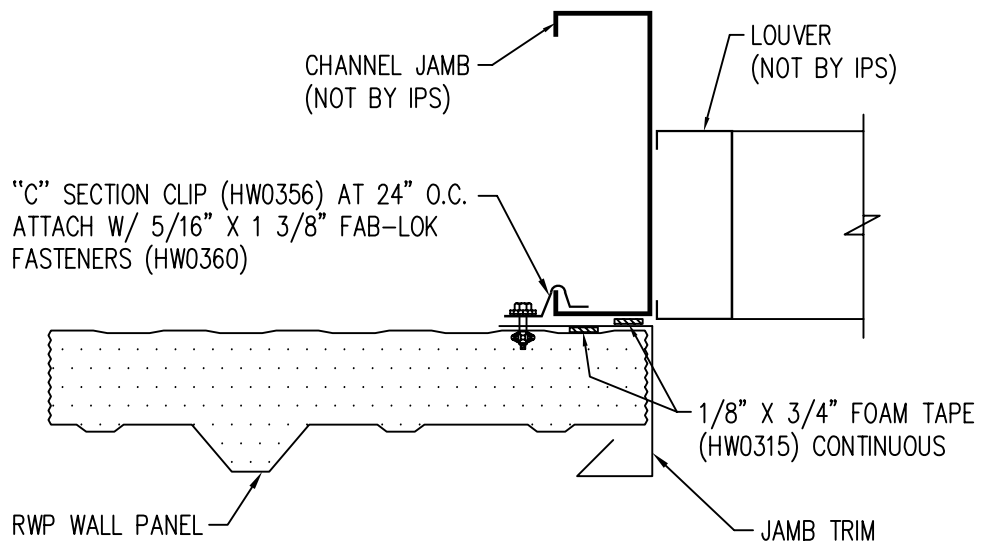
JAMB DETAIL AT WALK DOOR



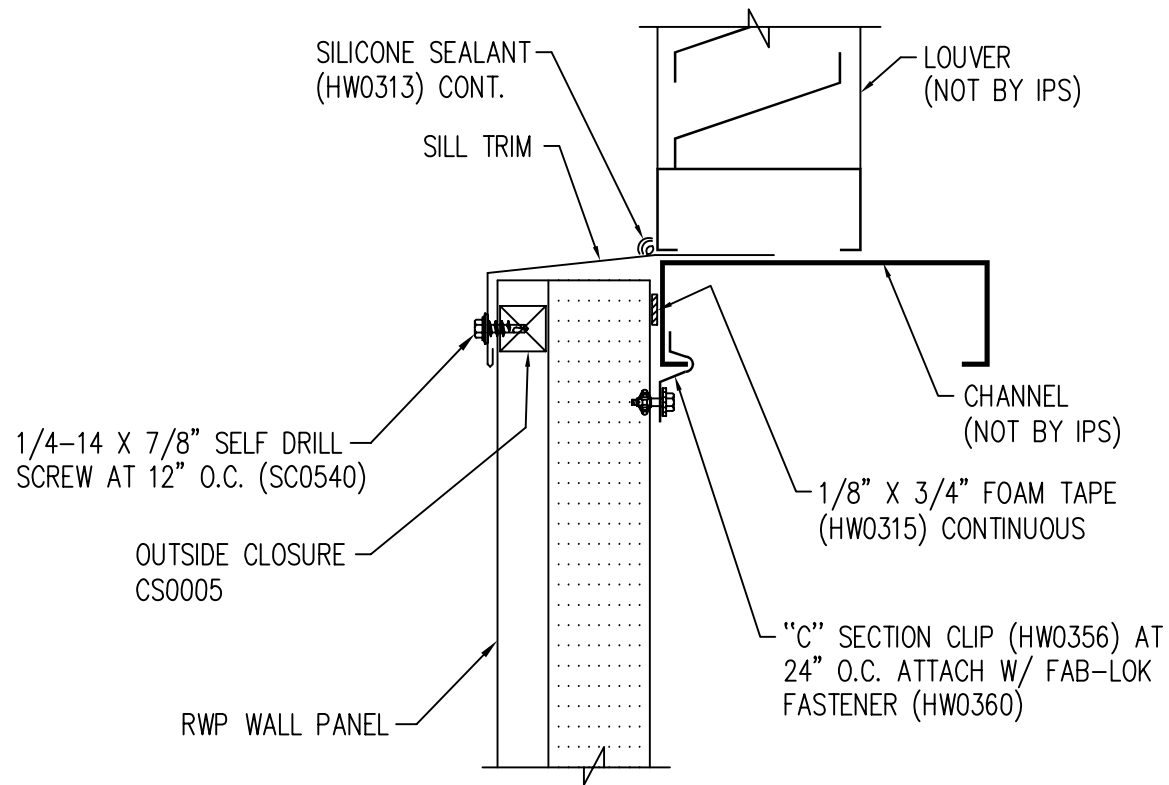
HEAD DETAIL AT WALK DOOR



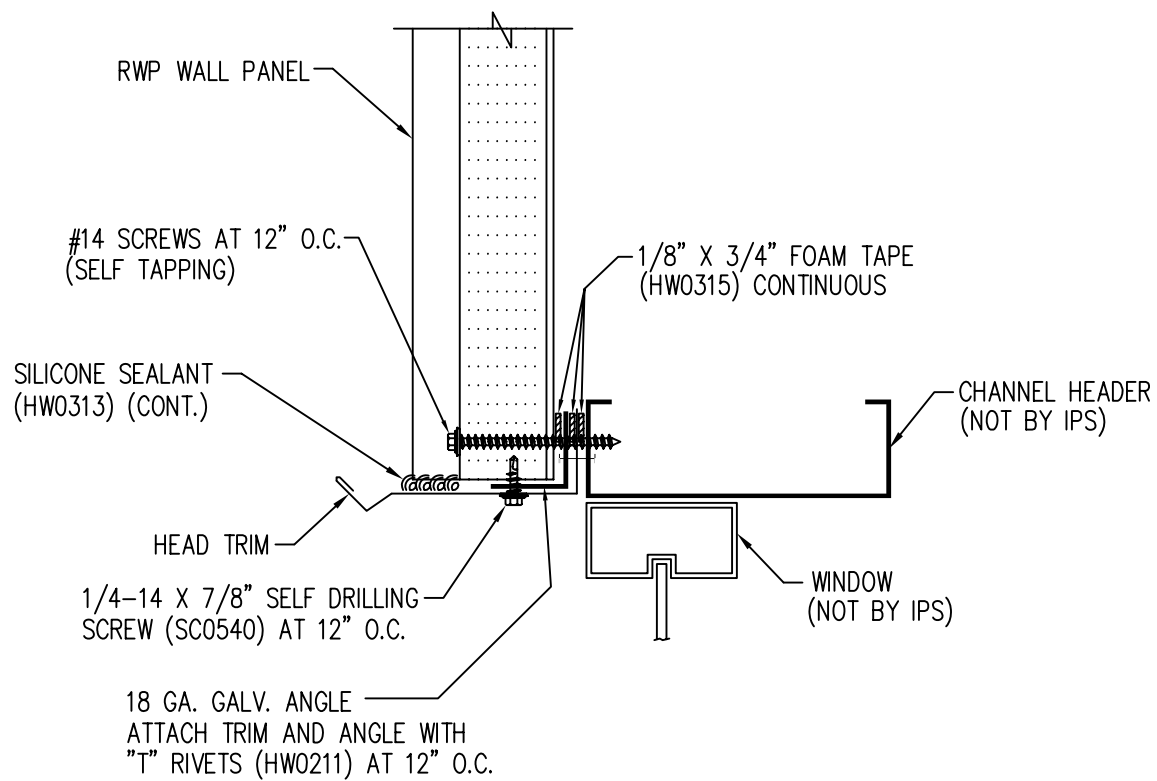
HEAD DETAIL AT LOUVER



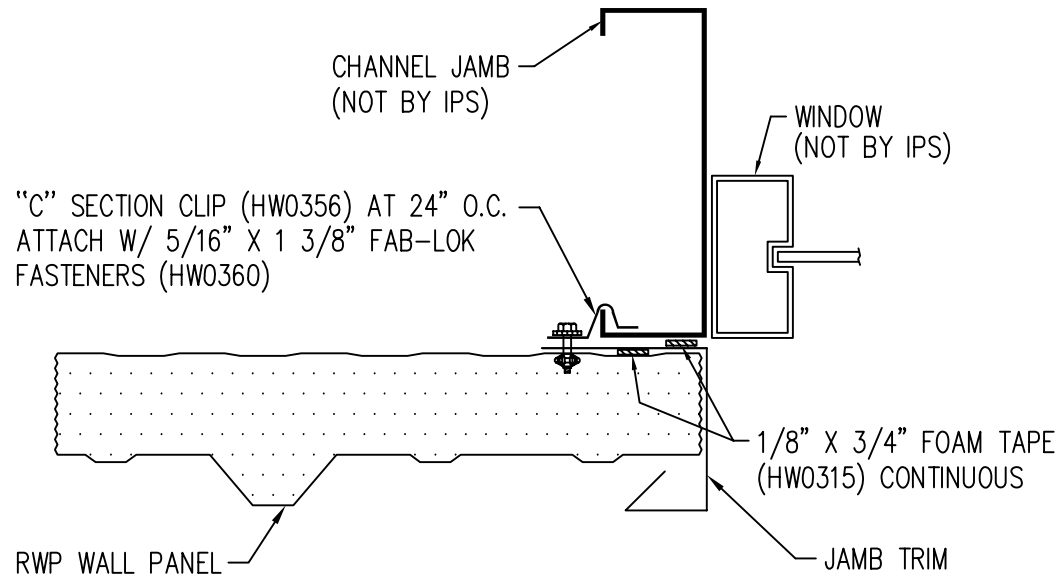
JAMB DETAIL AT LOUVER



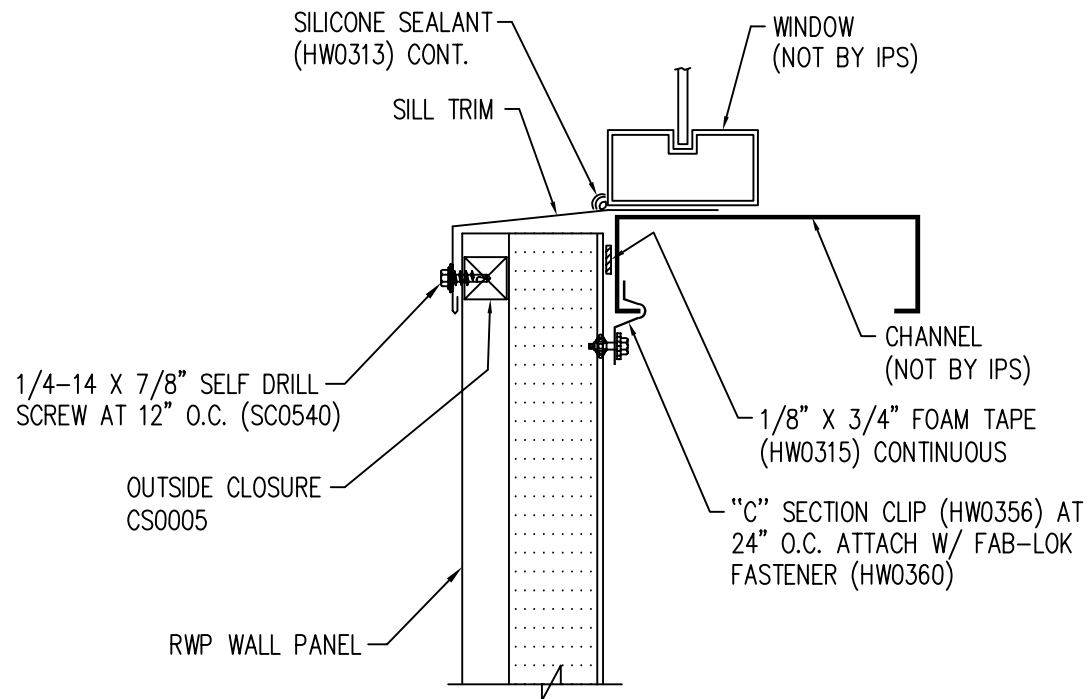
SILL DETAIL AT LOUVER



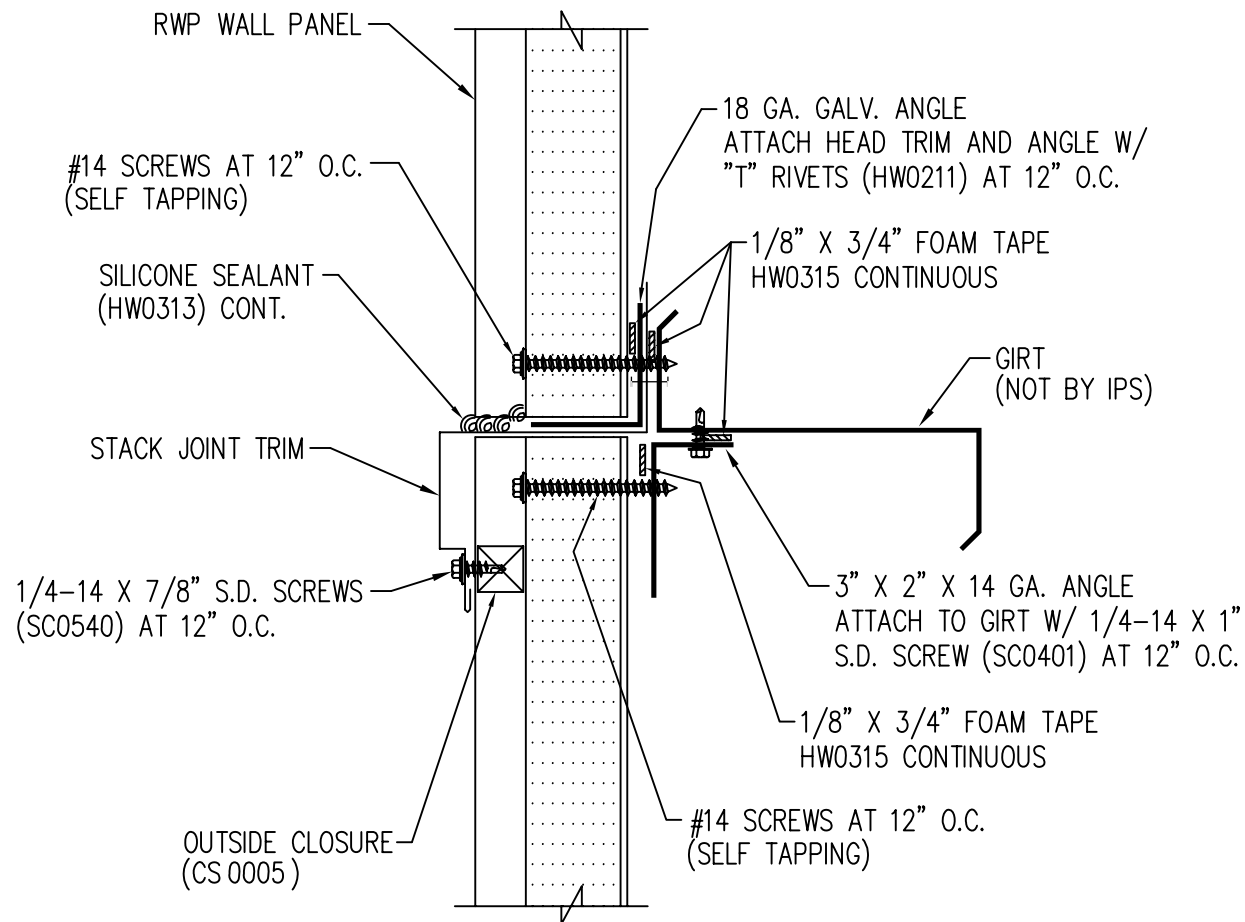
HEAD DETAIL AT WINDOW



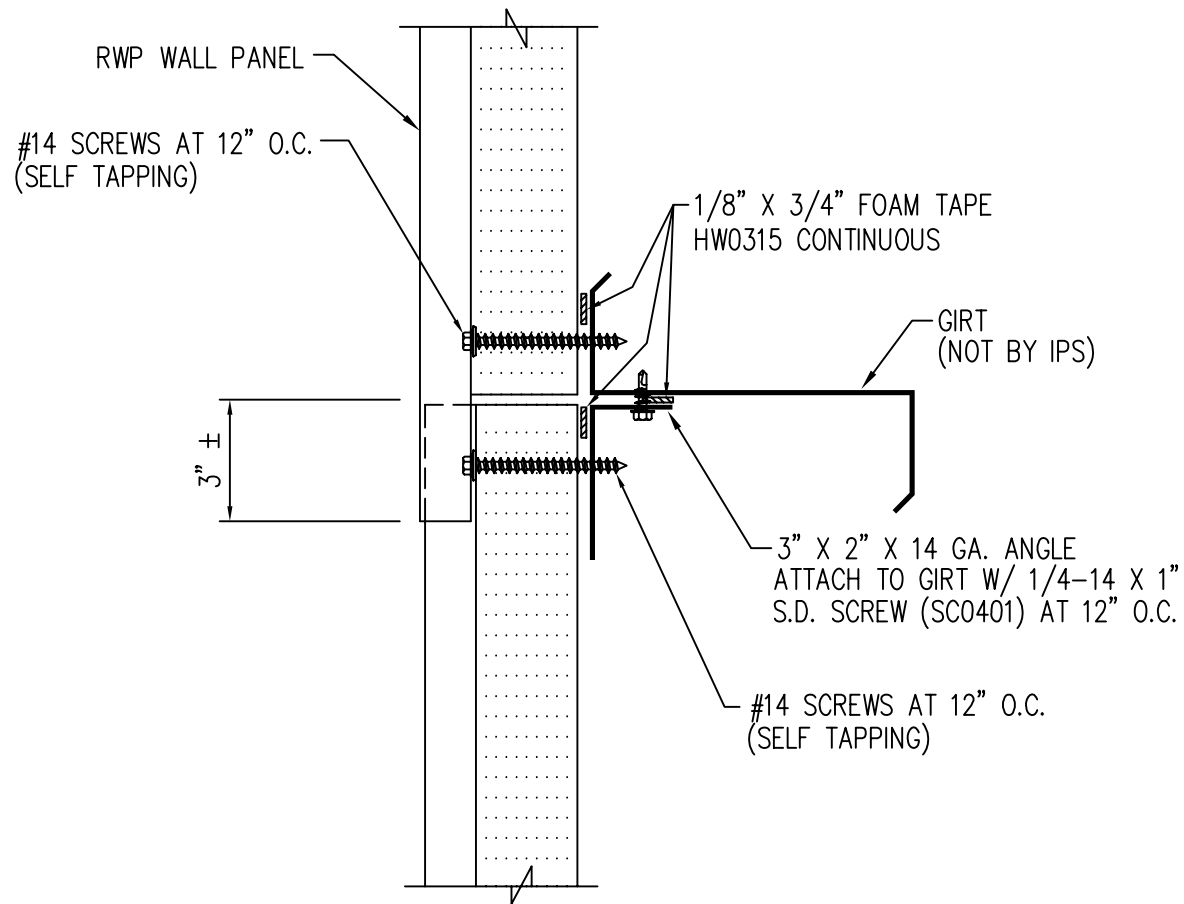
JAMB DETAIL AT WINDOW



SILL DETAIL AT WINDOW



DETAIL AT WALL STACK JOINT WITH COLD FORMED MEMBER



DETAIL AT WALL LAP WITH COLD FORMED MEMBER