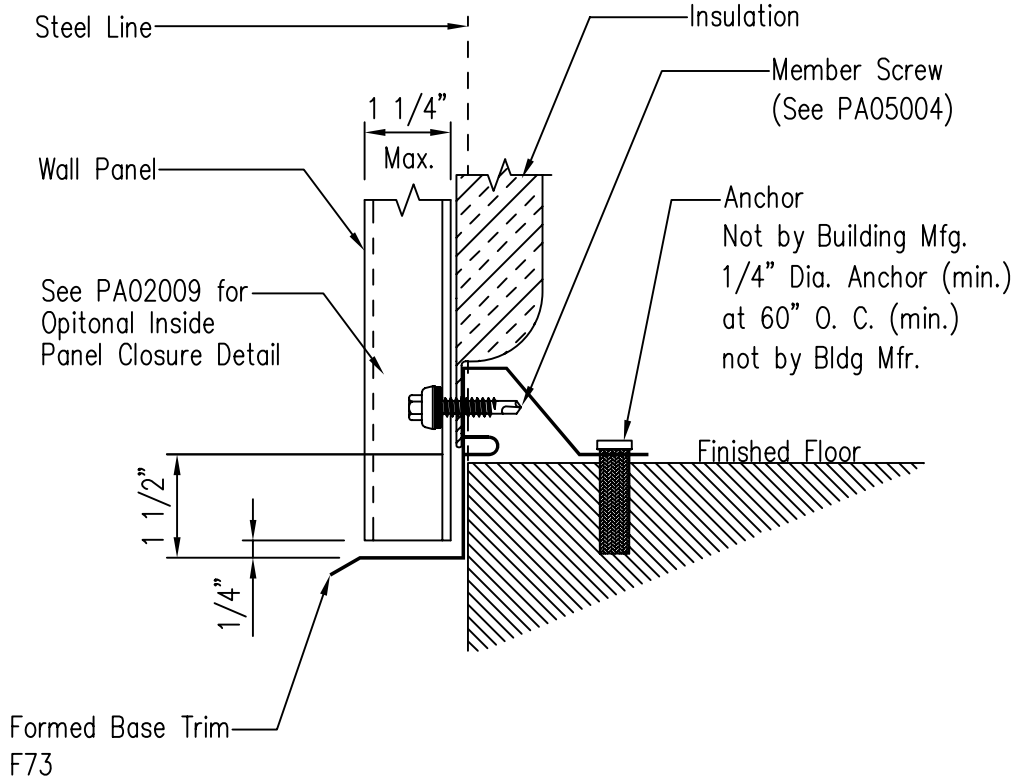
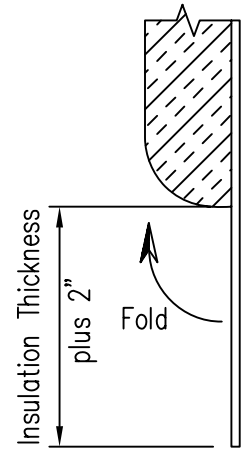


PBA Wall Panel
Formed Base Trim
Without Panel Recess

SHT. NO. PA02001	
DATE Oct. 09	REV. 01

Remove insulation
from vinyl backing.
Insulation must not
be exposed to
weather.

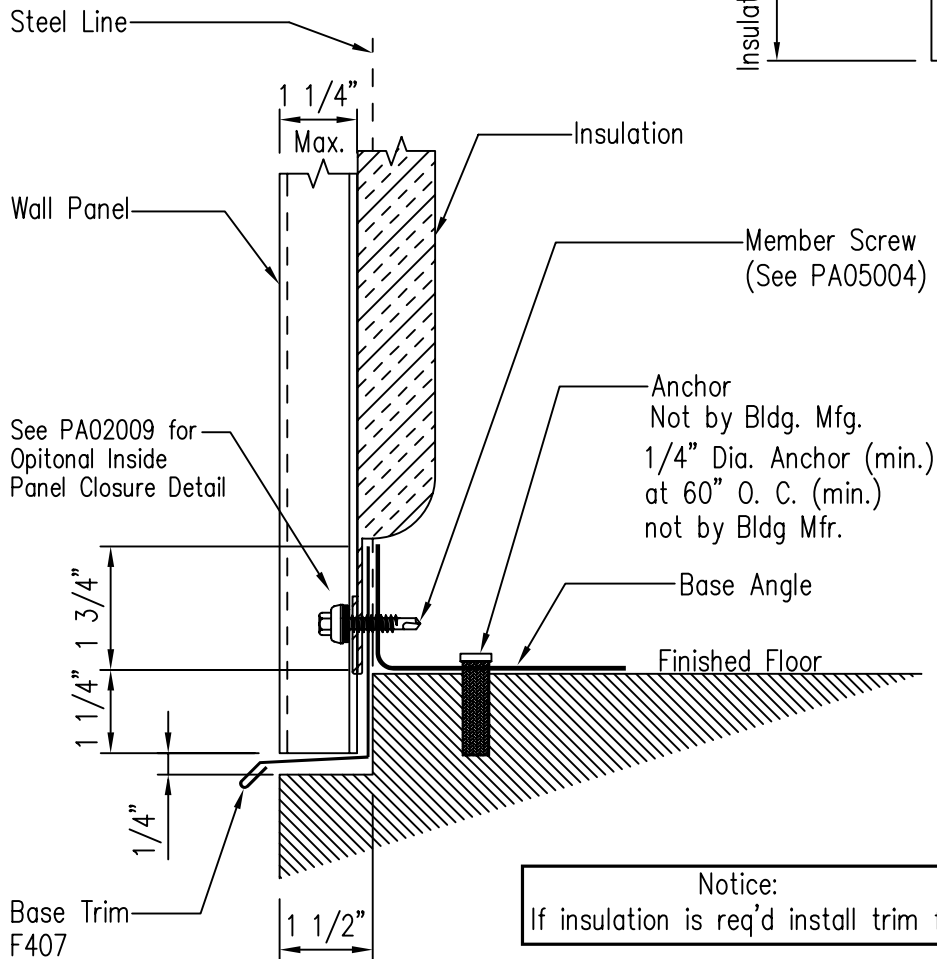
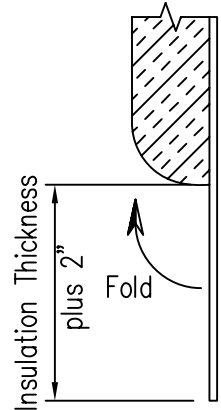


PBA Wall Panel
Base Angle
With Panel Recess With Base Trim

SHT. NO. PA02002	
DATE Oct. 09	REV. 01

Notice:
A minimum of 1/4" space should be allowed from the end of the wall panel to any concrete surface.

Remove insulation from vinyl backing. Insulation must not be exposed to weather.



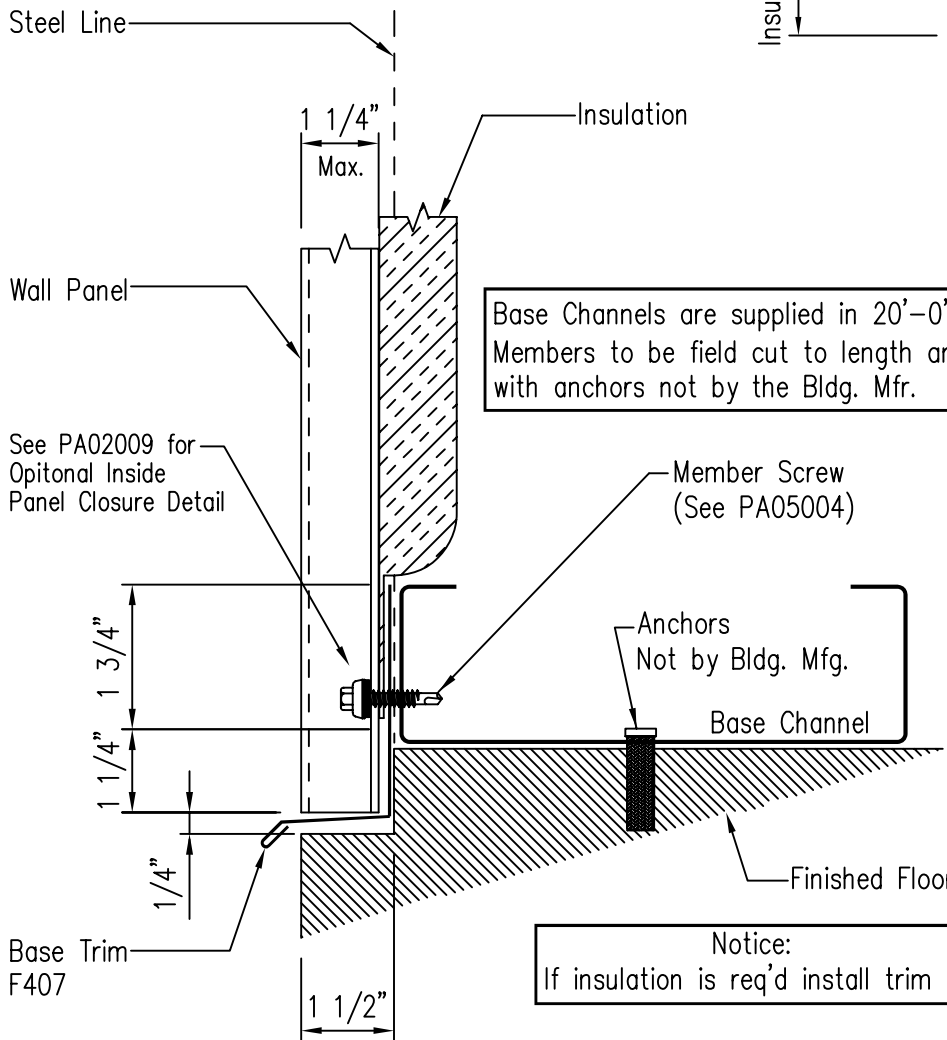
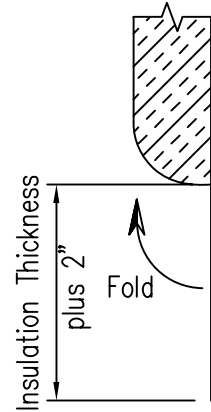
Notice:
If insulation is req'd install trim first.

PBA Wall Panel
 Base Channel
 With Panel Recess With Base Trim

SHT. NO. PA02003	
DATE Oct. 09	REV. 01

Notice:
 A minimum of 1/4" space should be allowed from the end of the wall panel to any concrete surface.

Remove insulation from vinyl backing. Insulation must not be exposed to weather.



Base Channels are supplied in 20'-0" lengths. Members to be field cut to length and attached with anchors not by the Bldg. Mfr.

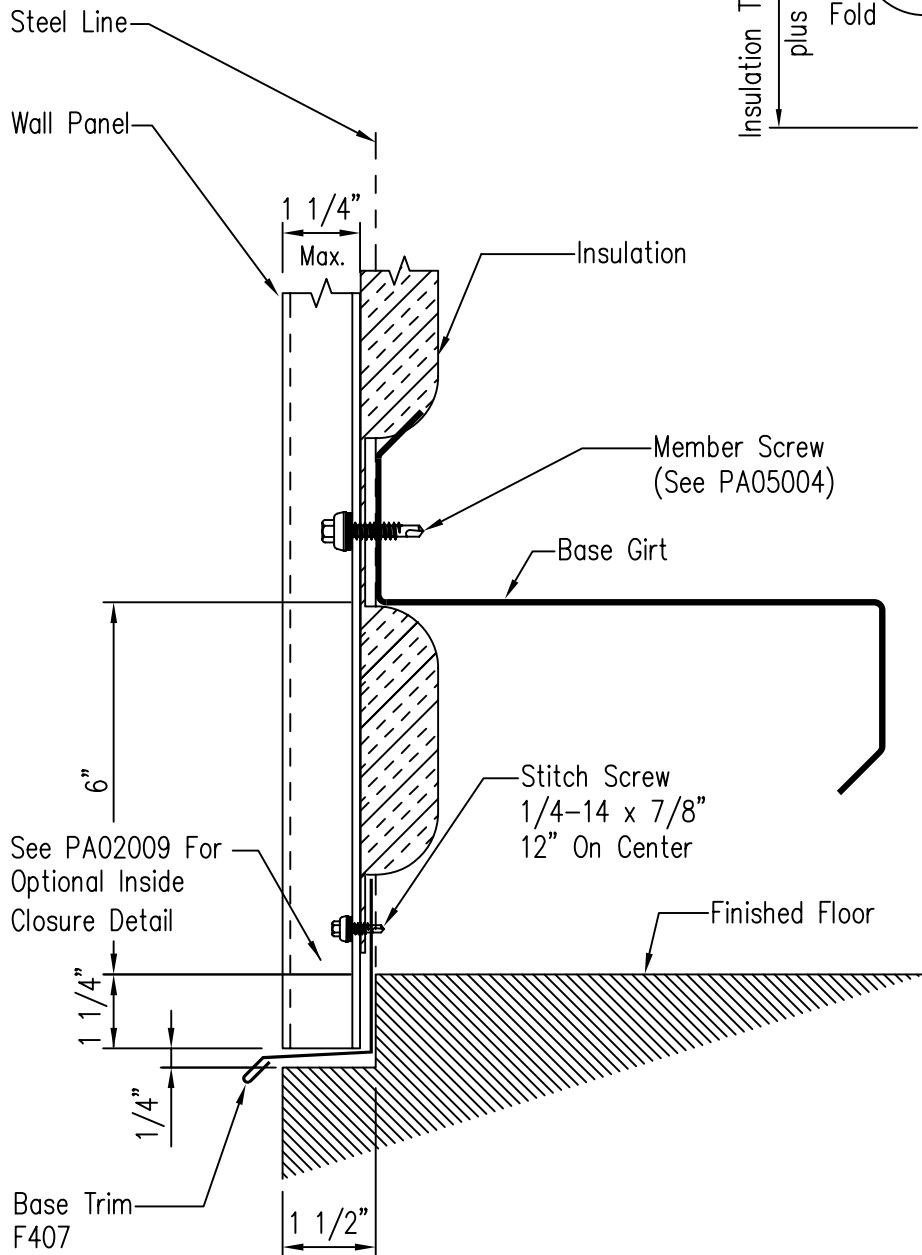
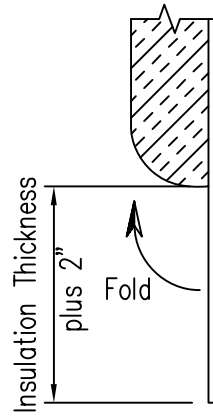
Notice:
 If insulation is req'd install trim first.

PBA Wall Panel
Base Girt
With Panel Recess With Base Trim

SHT. NO. PA02004	
DATE Oct. 09	REV. 02

Notice:
A minimum of 1/4" space should be allowed from the end of the wall panel to any concrete surface.

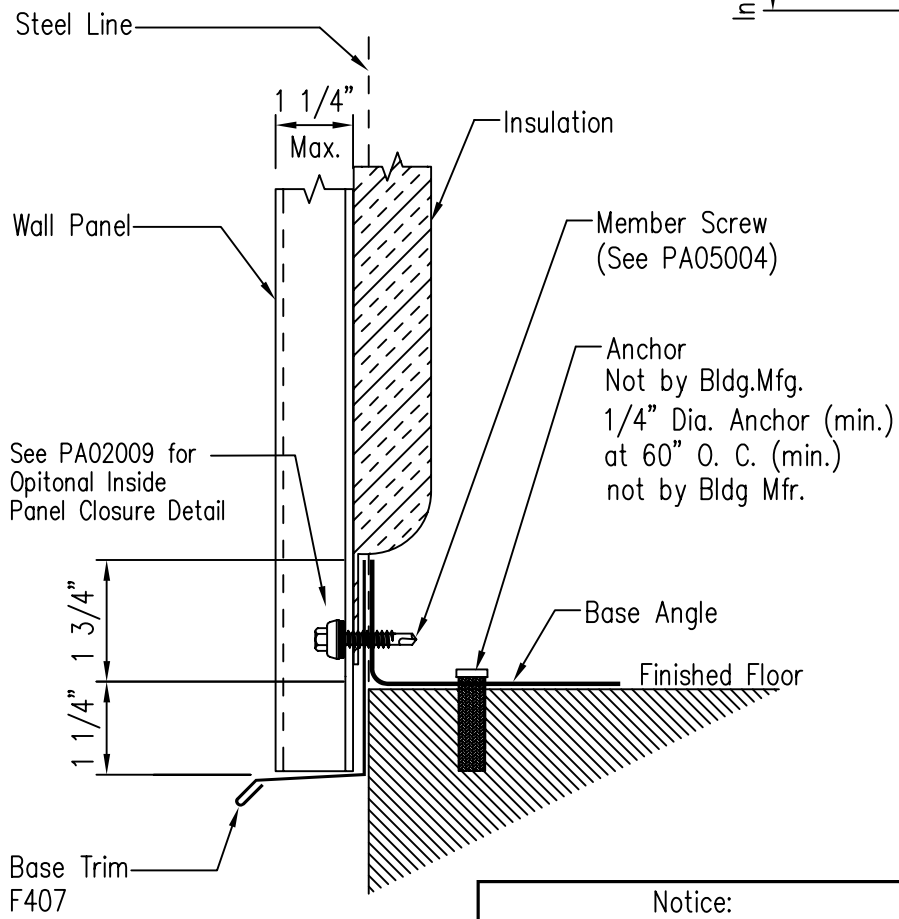
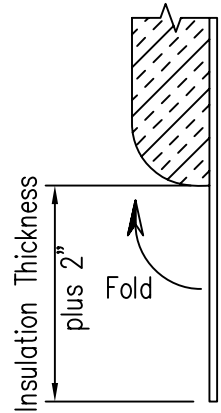
Remove insulation from vinyl backing. Insulation must not be exposed to weather.



PBA Wall Panel
 Base Angle
 Without Panel Recess With Base Trim

SHT. NO. PA02005	
DATE Oct. 09	REV. 01

Remove insulation from vinyl backing. Insulation must not be exposed to weather.

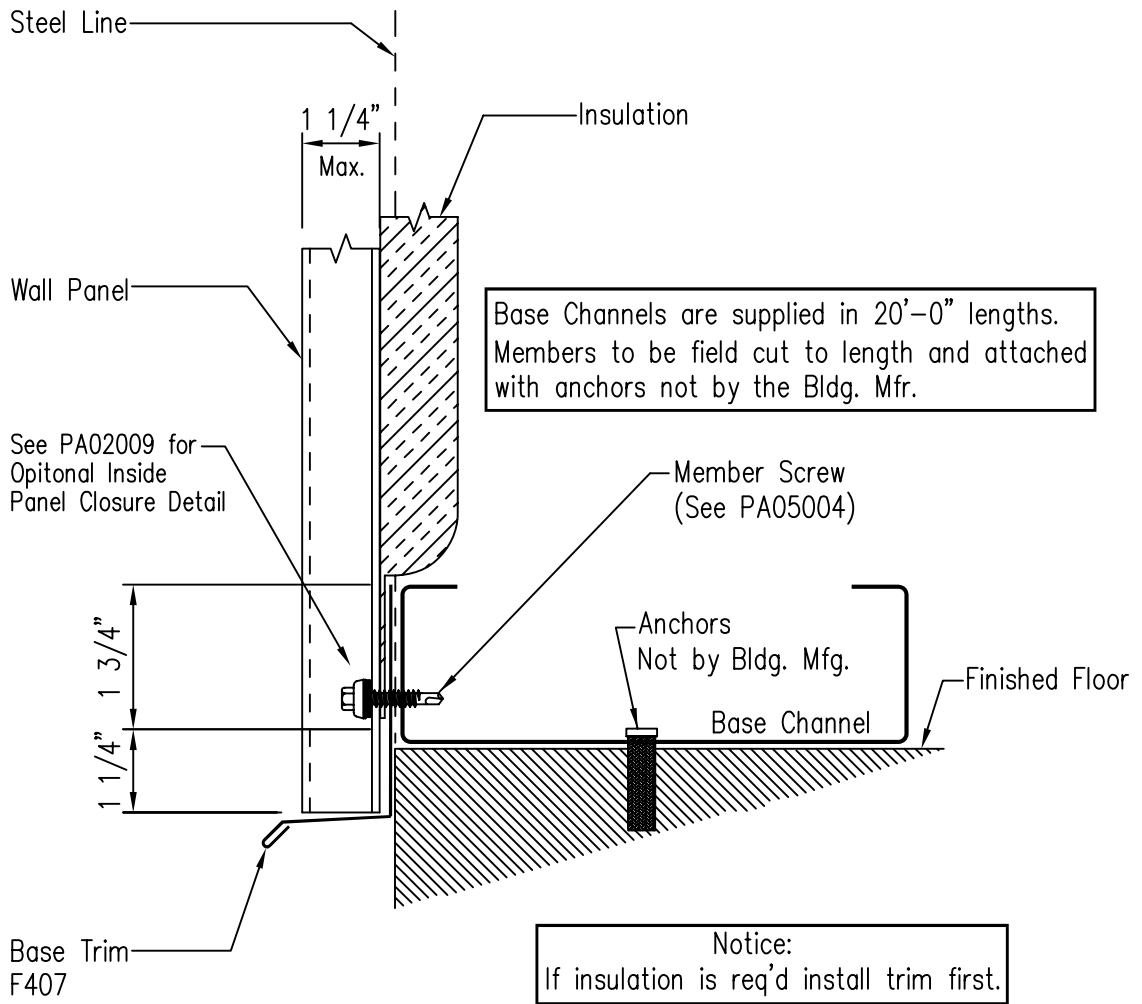
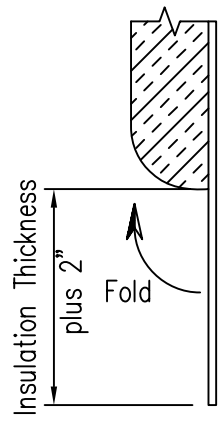


Notice:
 If insulation is req'd install trim first.

PBA Wall Panel
 Base Channel
 Without Panel Recess With Base Trim

SHT. NO. PA02006	
DATE Oct. 09	REV. 01

Remove insulation from vinyl backing. Insulation must not be exposed to weather.



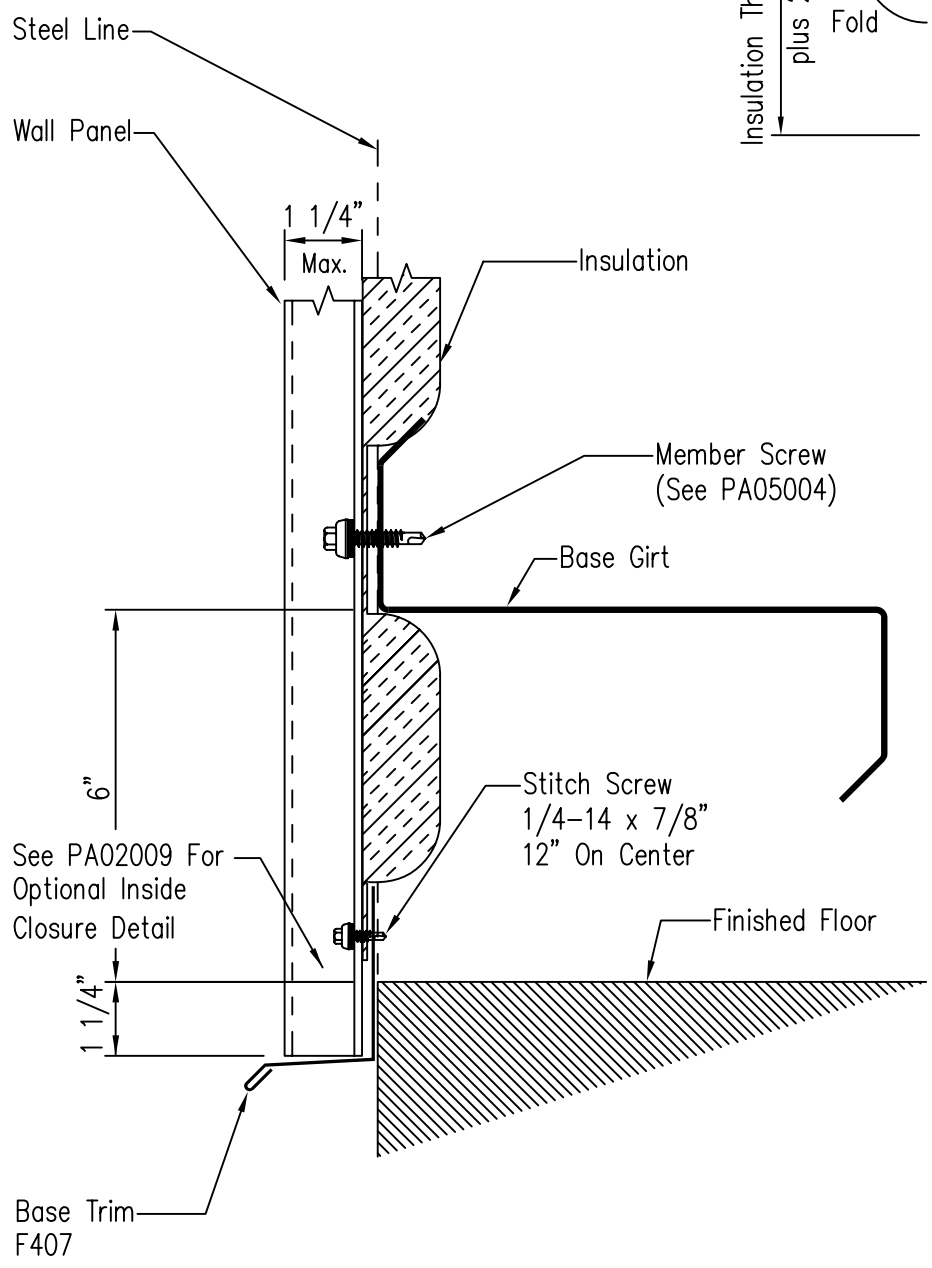
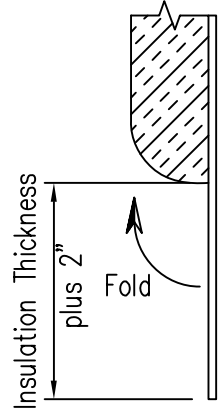
Base Channels are supplied in 20'-0" lengths. Members to be field cut to length and attached with anchors not by the Bldg. Mfr.

Notice:
 If insulation is req'd install trim first.

PBA Wall Panel
Base Girt
Without Panel Recess With Base Trim

SHT. NO. PA02007	
DATE Oct. 09	REV. 02

Remove insulation
from vinyl backing.
Insulation must not
be exposed to
weather.

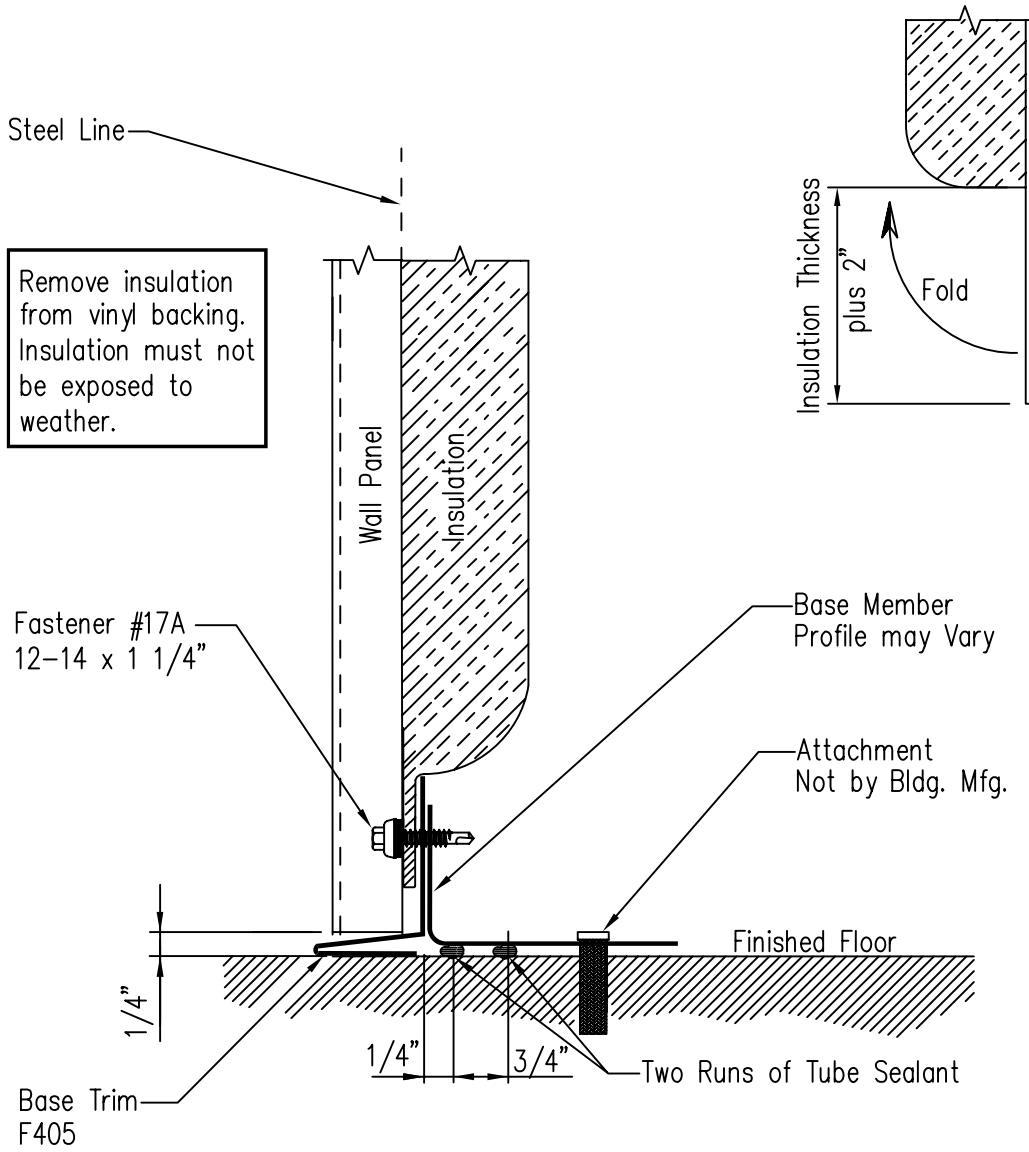


PBA Wall Panel
Flush Floor Base

SHT. NO.
PA02008

DATE
Jan. 09

REV.
00



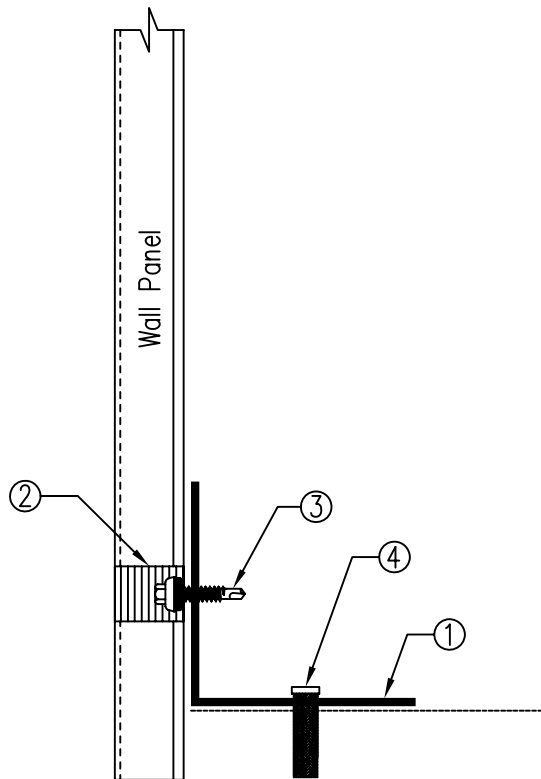
PBA Wall Panel
Inside Panel Closure at Base

SHT. NO.
PA02009

DATE
Jan. 09

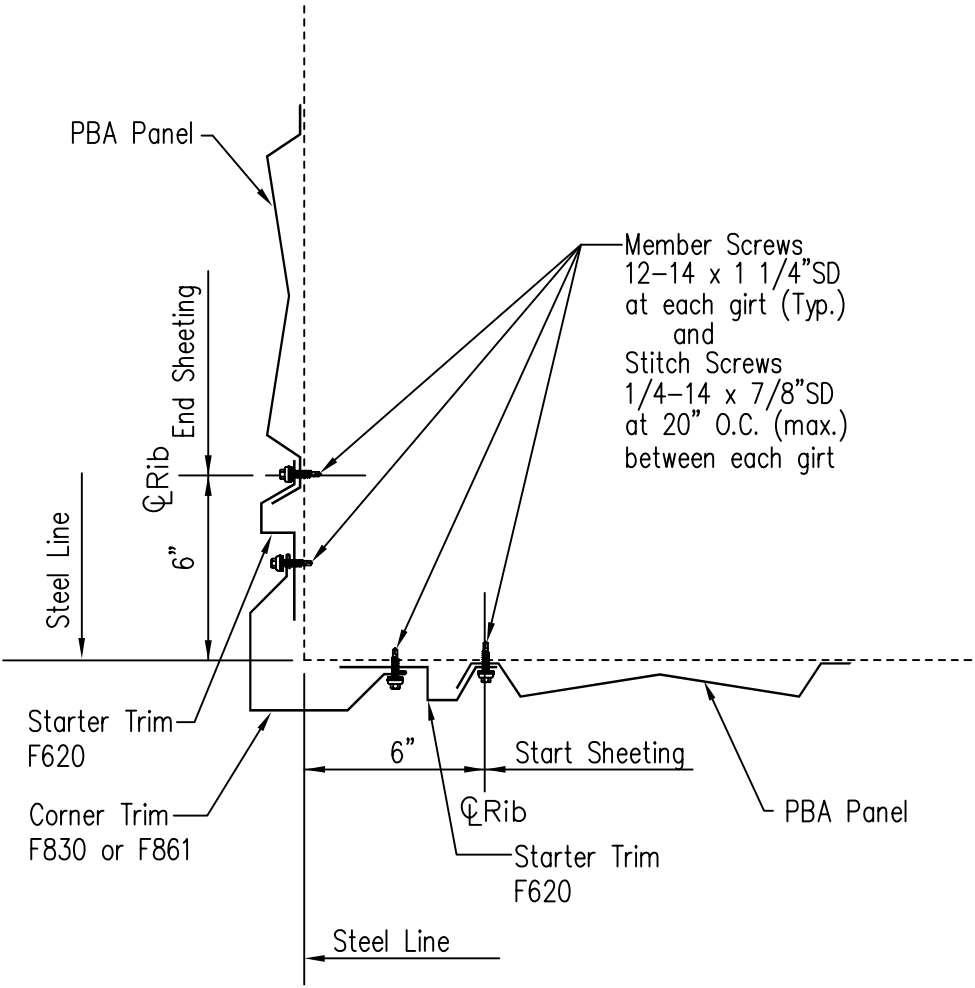
REV.
00

- ① Base Member
(Profile May Vary)
- ② Foam Inside Panel Closure
- ③ Member Screw
12-14 x 1 1/4" SD
- ④ Not By Metal
Building Mfr.



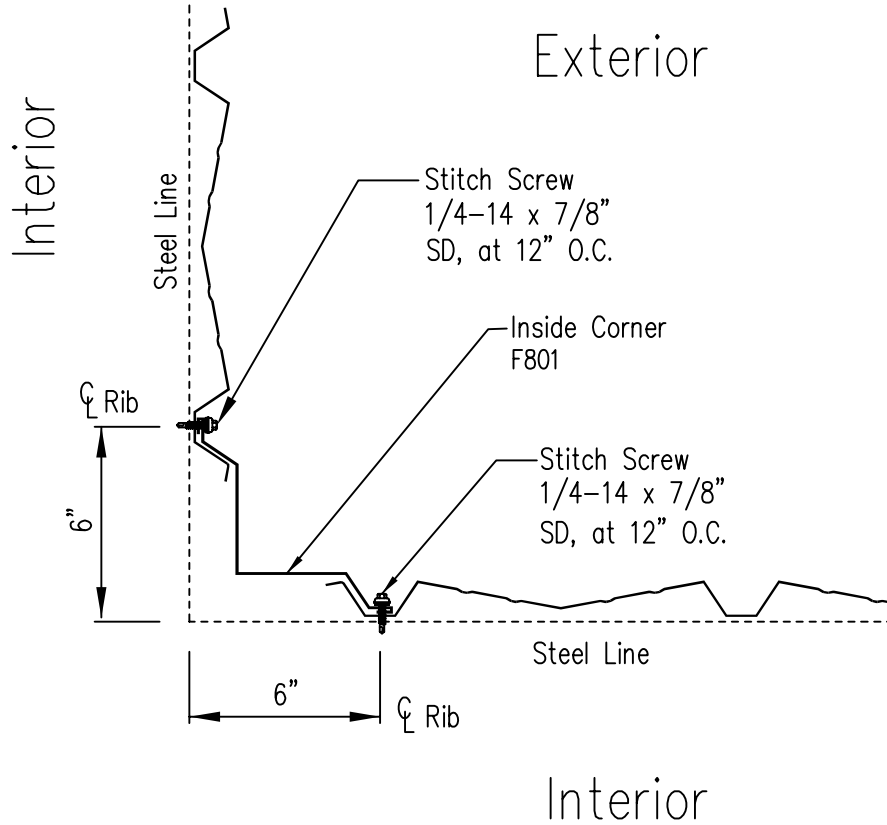
PBA Wall Panel
Outside Corner Trim

SHT. NO. PA03001	
DATE SEP. 09	REV. 01



Note:
Installation of panels must be started
6" from corner (steel line) as shown.

Insulation has been
omited for clarity



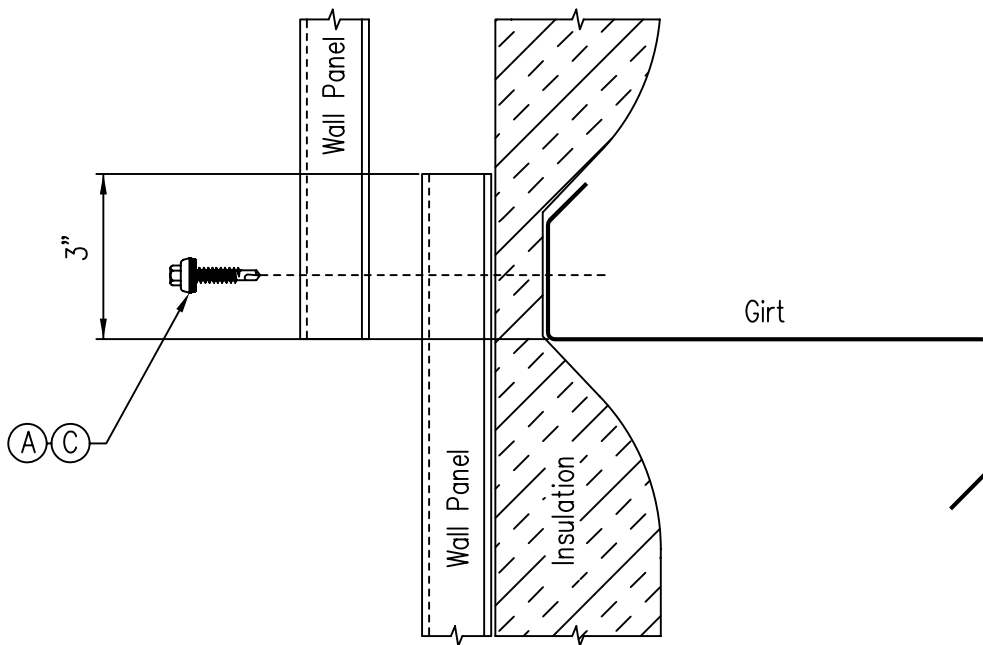
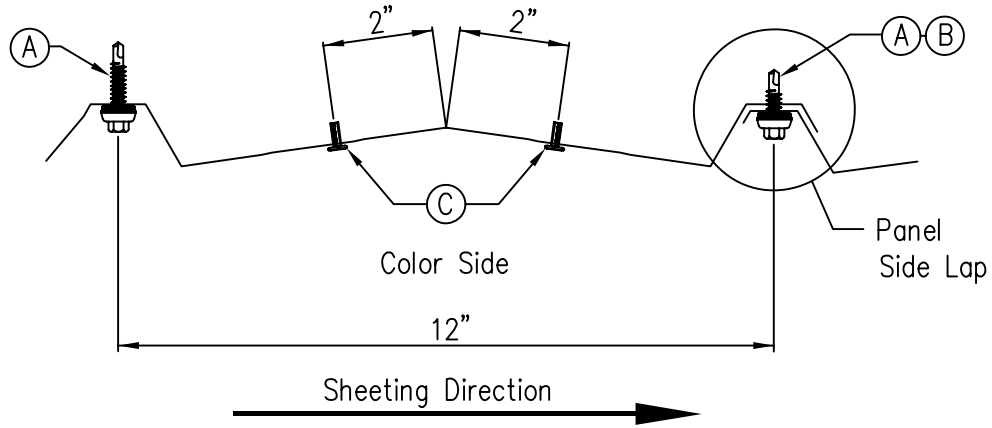
Note:

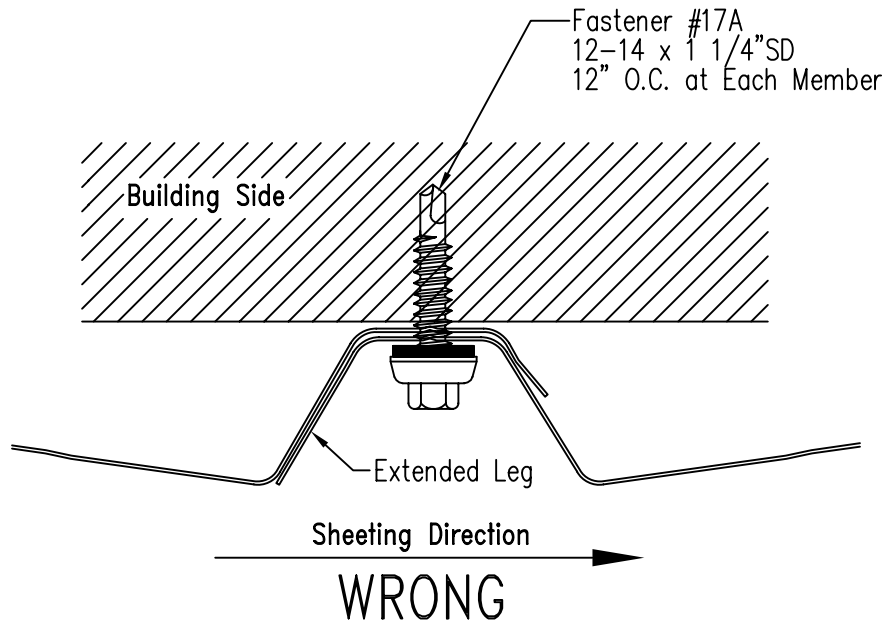
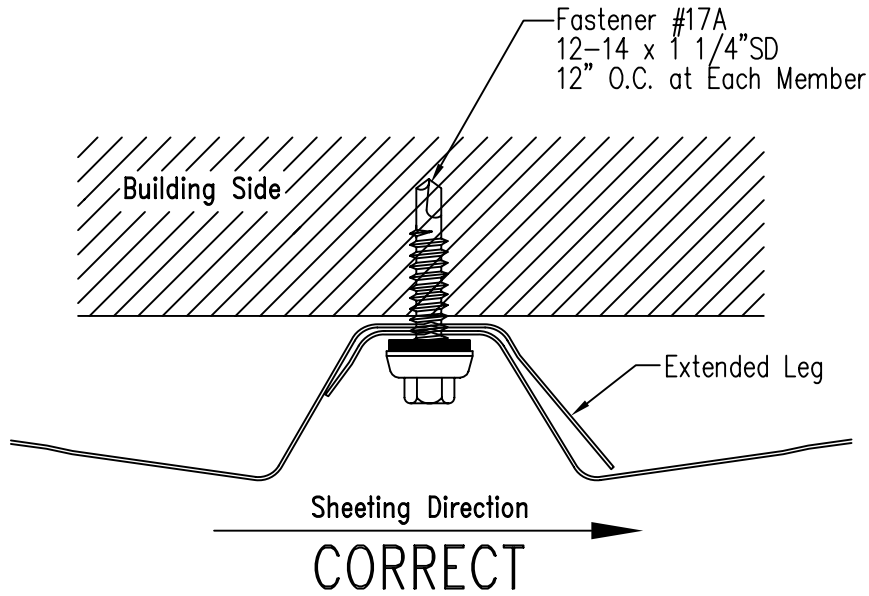
Installation of panels must be started
6" from corner (steel line) as shown.

PBA Wall Panel
Panel End Lap

SHT. NO. PA05001	
DATE Jan. 09	REV. 00

- (A) Fastener #17A = 12-14 X 1 1/4" Self Drill at each member
- (B) Fastener #4A = 1/4"-14 X 7/8" Self Drill at 20" O.C.
- (C) Fastener #14 = 1/8" X 3/16" Pop Rivet

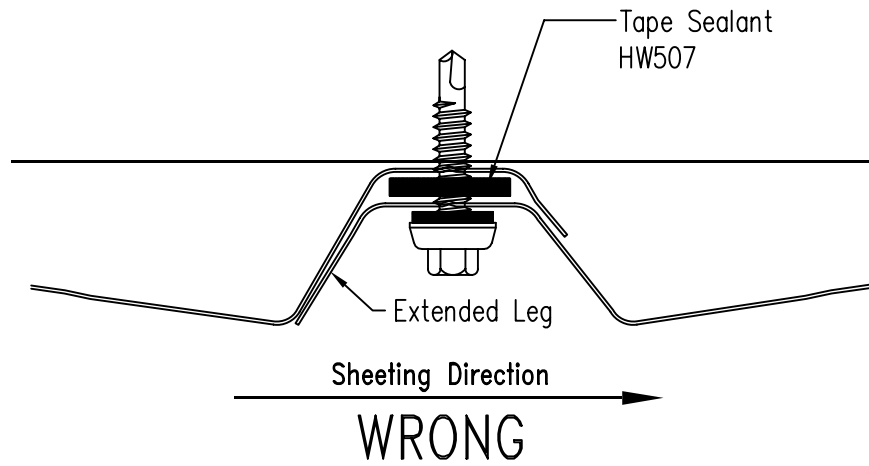
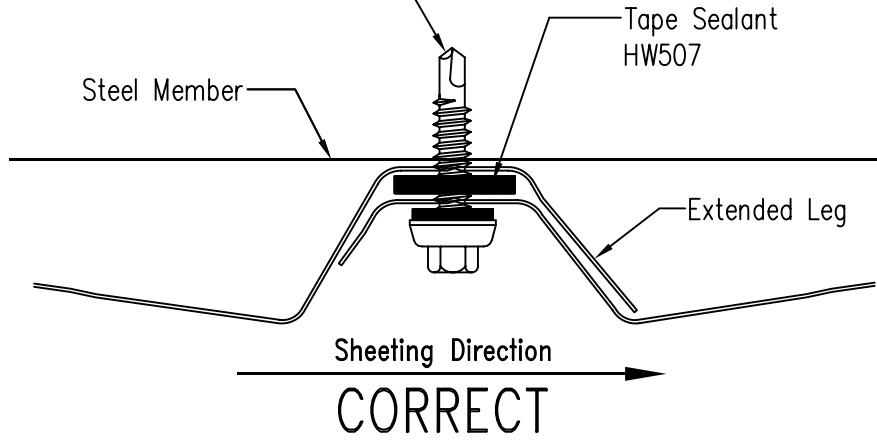




PBA Wall Panel
Panel Side Lap
Sealed Wall

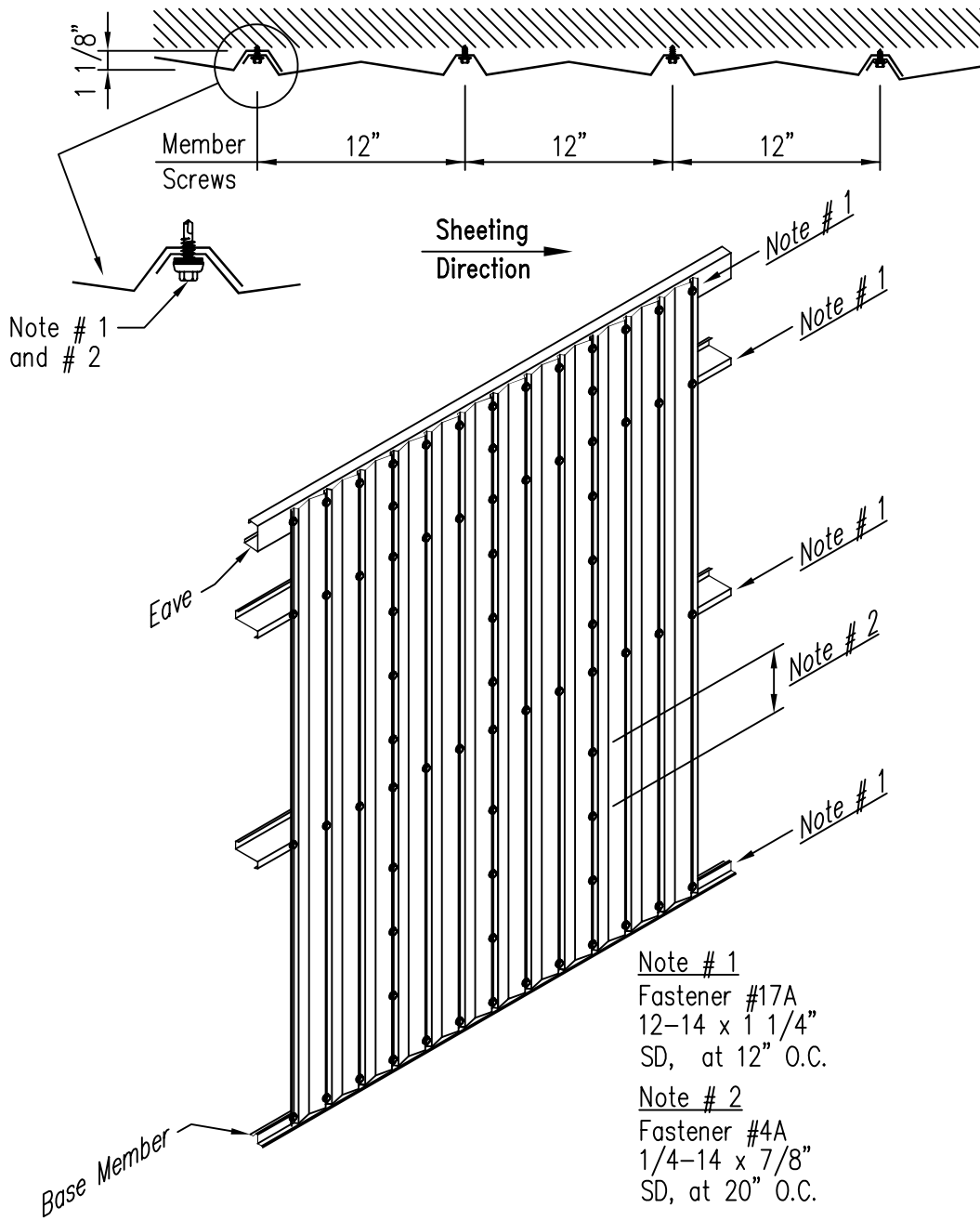
SHT. NO. PA05003	
DATE Jan. 09	REV. 00

Fastener #17A
12-14 x 1 1/4"SD
12" O.C. at Each Member



PBA Wall Panel
Fastener Spacing

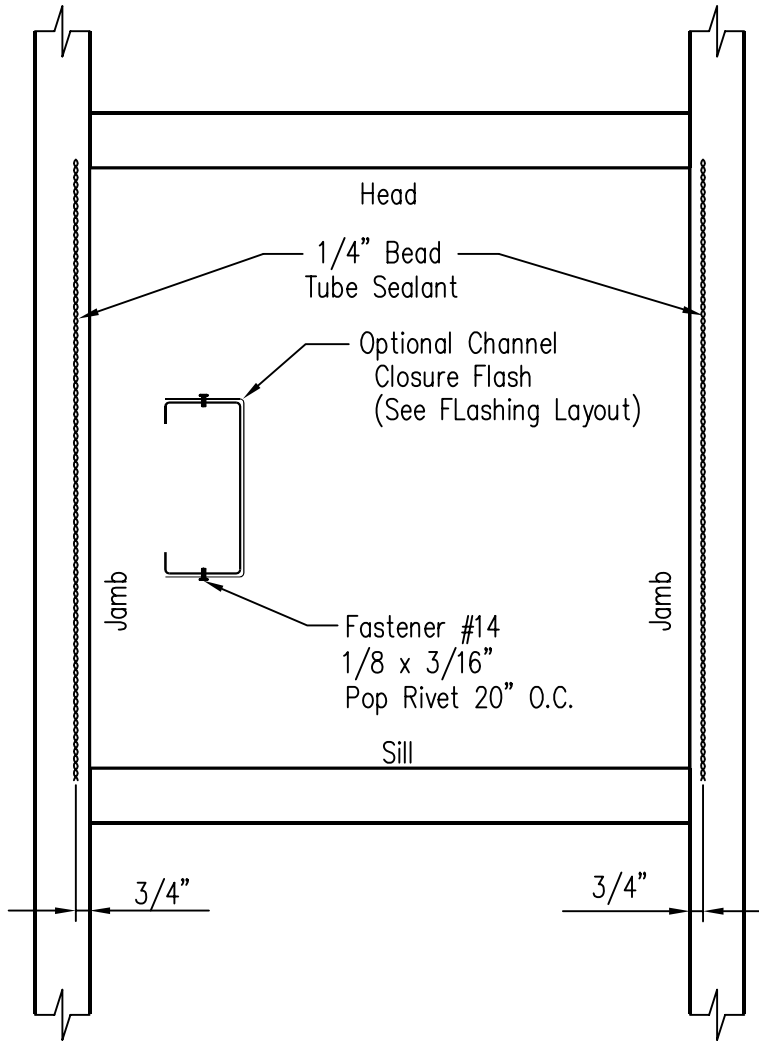
SHT. NO. PA05004	
DATE Jan. 09	REV. 00



PBA Wall Panel
Four Sided Framed Opening
Tube Sealant Application

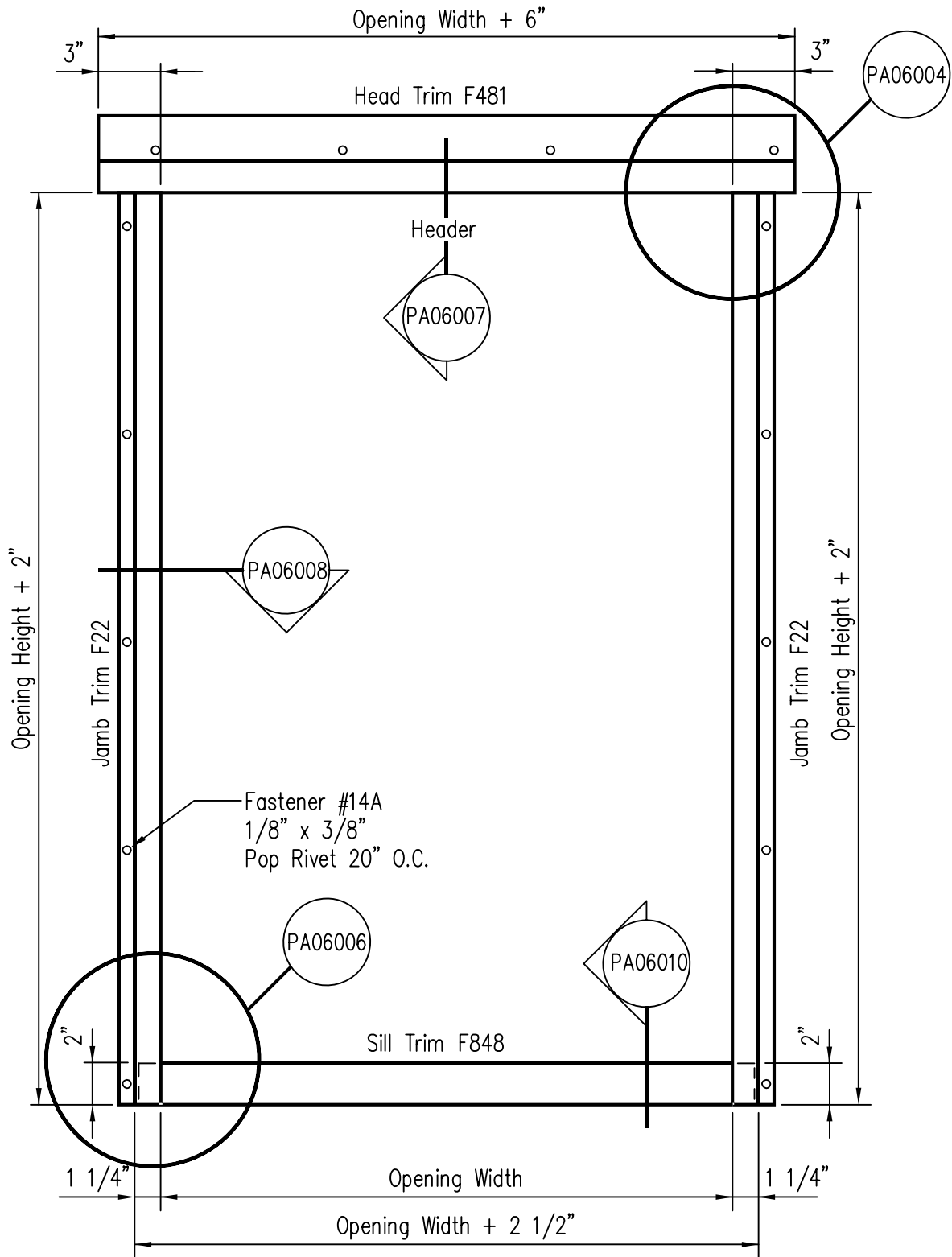
SHT. NO. PA06001	
DATE Jan. 09	REV. 00

Optional "Channel Closure Flashing" must be installed before tube sealant is applied.



PBA Wall Panel
 Four Sided Framed Opening
 Trim Installation

SHT. NO. PA06002	
DATE Dec. 09	REV. 01

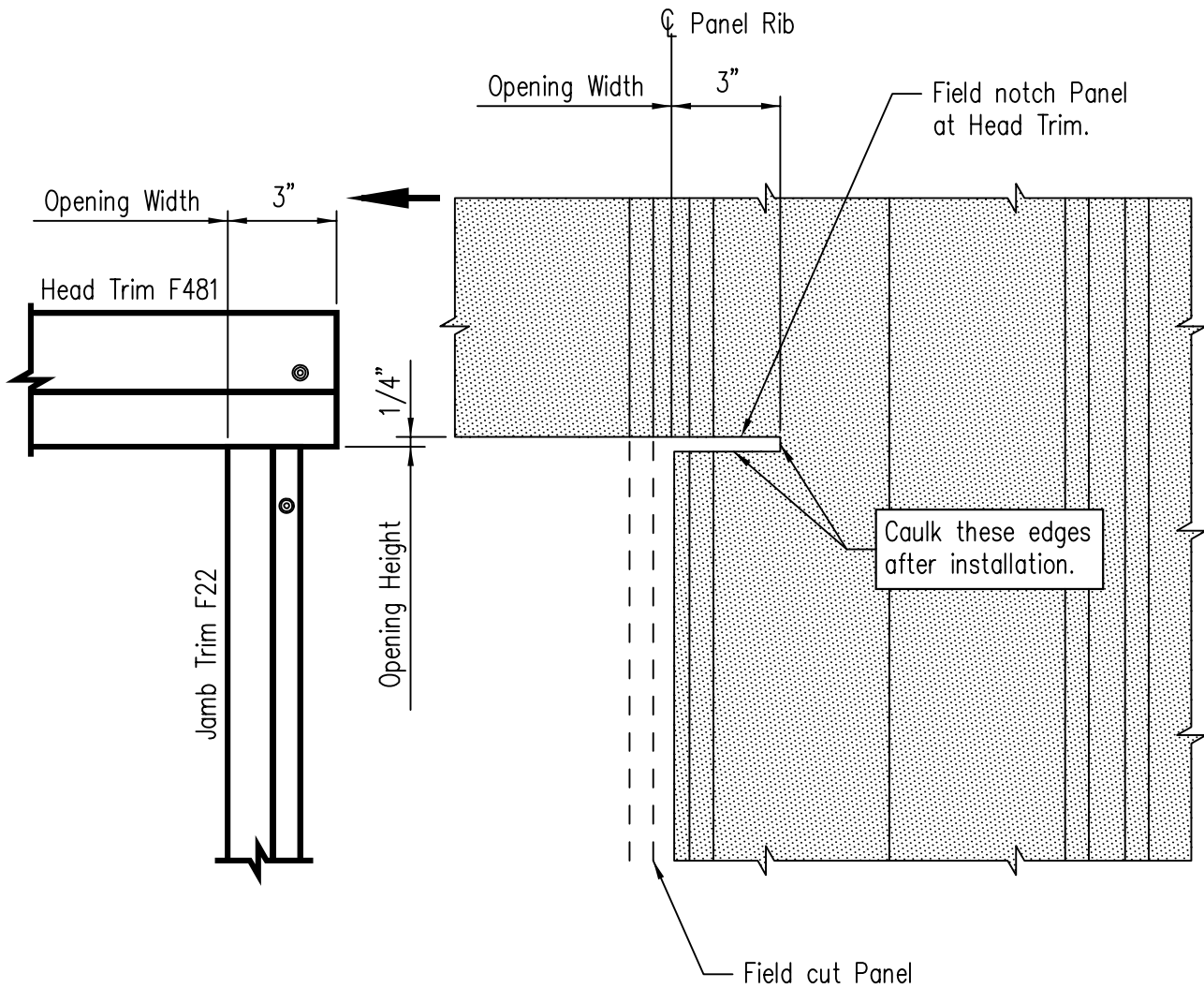


Note:
 All trim is to be installed **BEFORE**
 blanket insulation is applied to walls

PBA Wall Panel
Four Sided Framed Opening
Panel Notch at Header Trim

SHT. NO. PA06004	
DATE Apr. 10	REV. 02

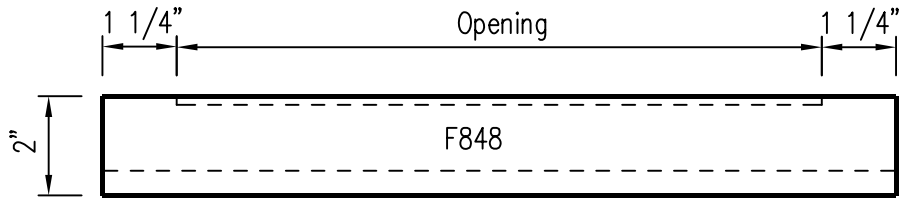
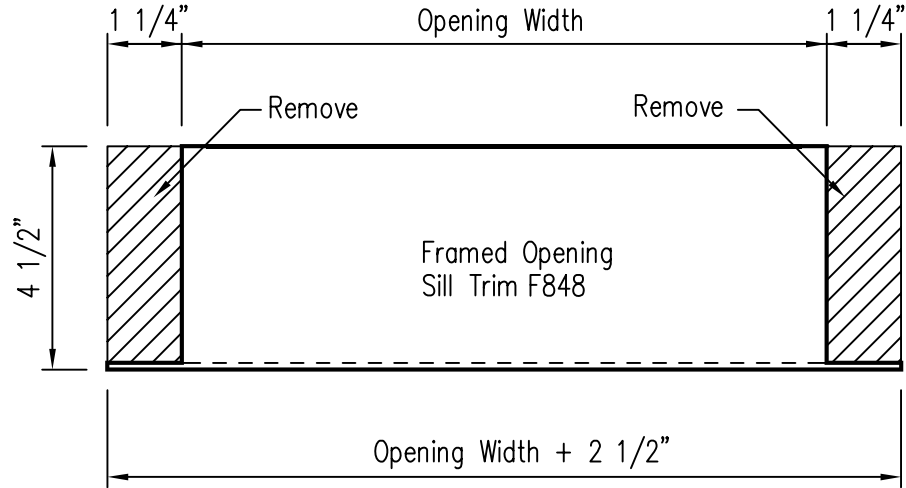
Note:
Panel position is shown with Panel Rib centered at edge Opening, location may vary depending on the Opening width and location. Field measure before cutting.



Note:
All trim is to be installed **BEFORE**
blanket insulation is applied to walls

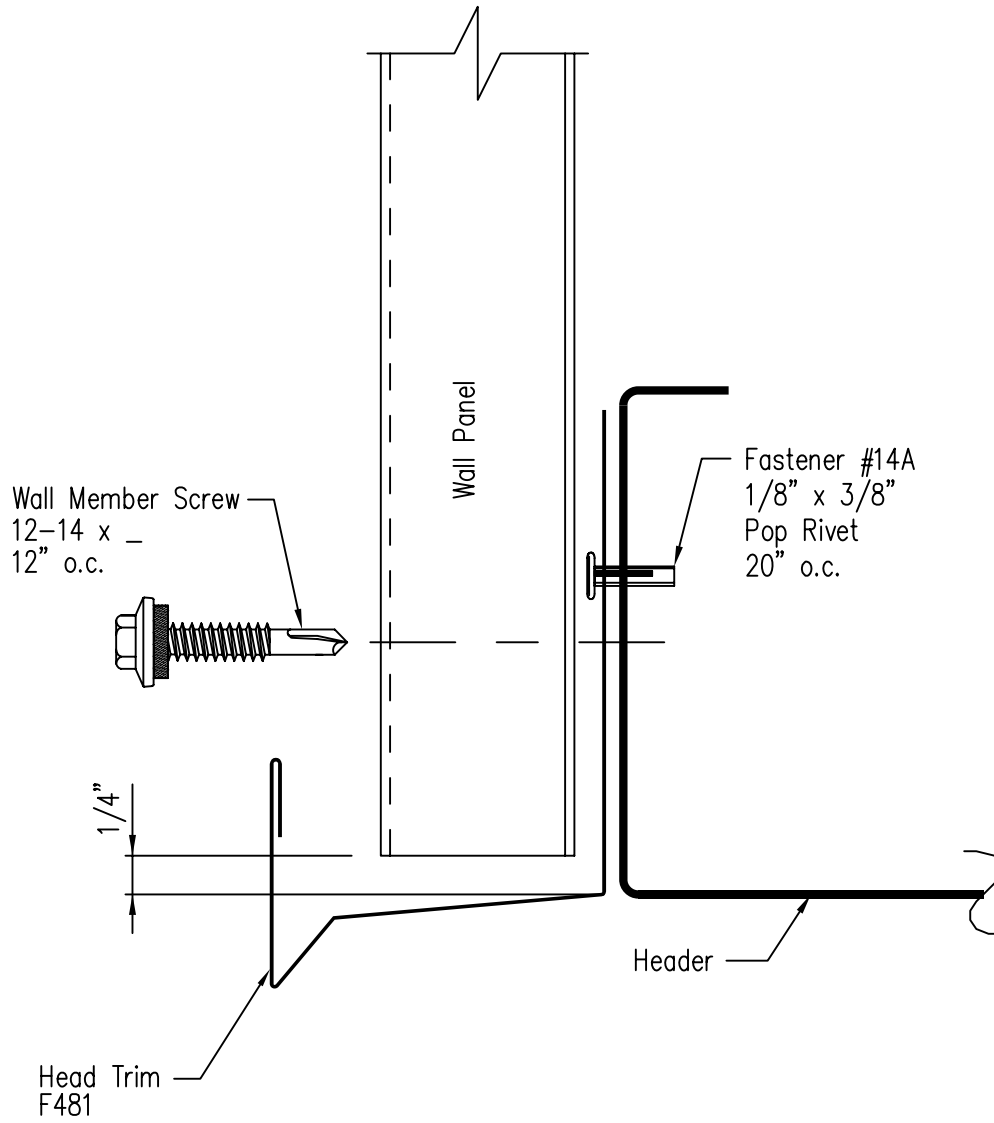
PBA Wall Panel
Four Sided Framed Opening
Sill Trim Installation

SHT. NO. PA06005	
DATE Dec. 09	REV. 01



PBA Wall Panel
Four Sided Framed Opening
Header Trim Installation

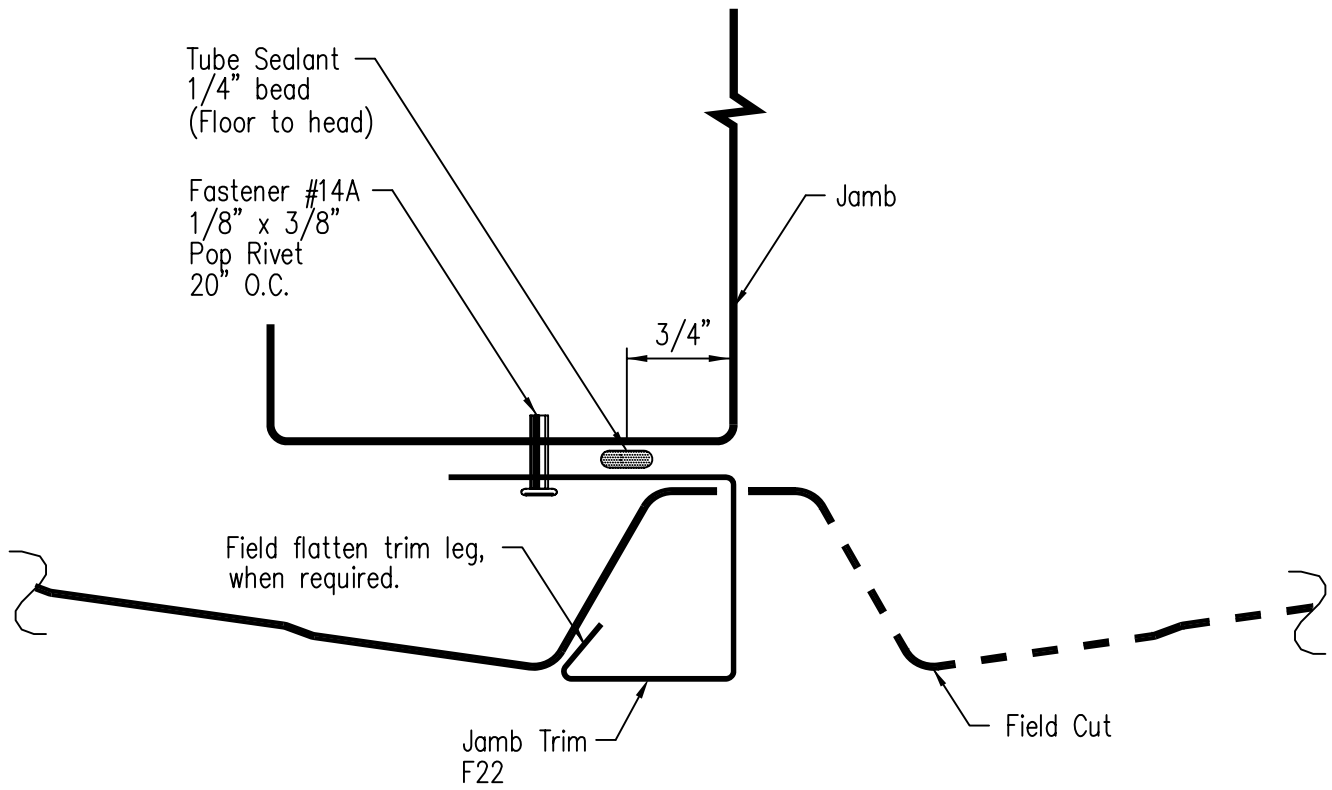
SHT. NO. PA06007	
DATE Dec. 09	REV. 01



Note:
All trim is to be installed **BEFORE**
blanket insulation is applied to walls

PBA Wall Panel
Four Sided Framed Opening
Jamb Trim Installation

SHT. NO. PA06008	
DATE Dec. 09	REV. 01

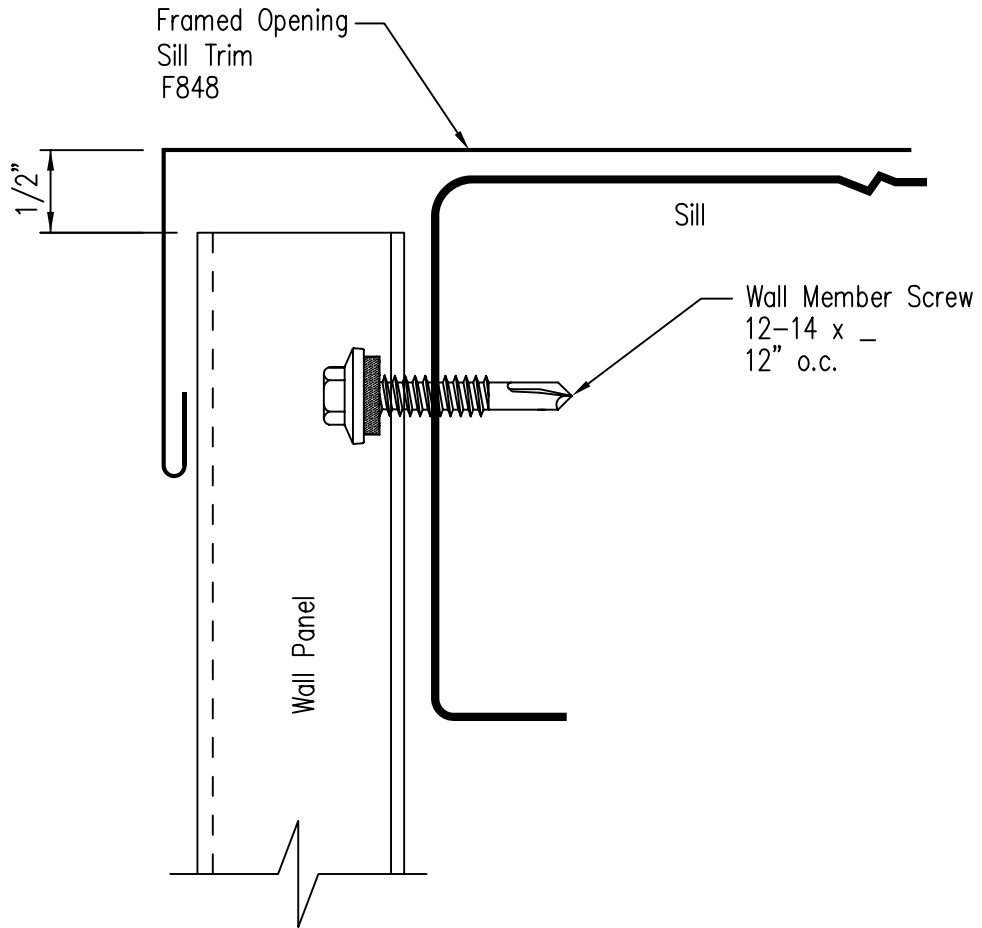


Note:
Panel position is shown with Panel Rib centered at edge Opening, location may vary depending on the Opening width and location. Field measure before cutting.

Note:
All trim is to be installed **BEFORE** blanket insulation is applied to walls

PBA Wall Panel
Four Sided Framed Opening
Sill Trim Installation

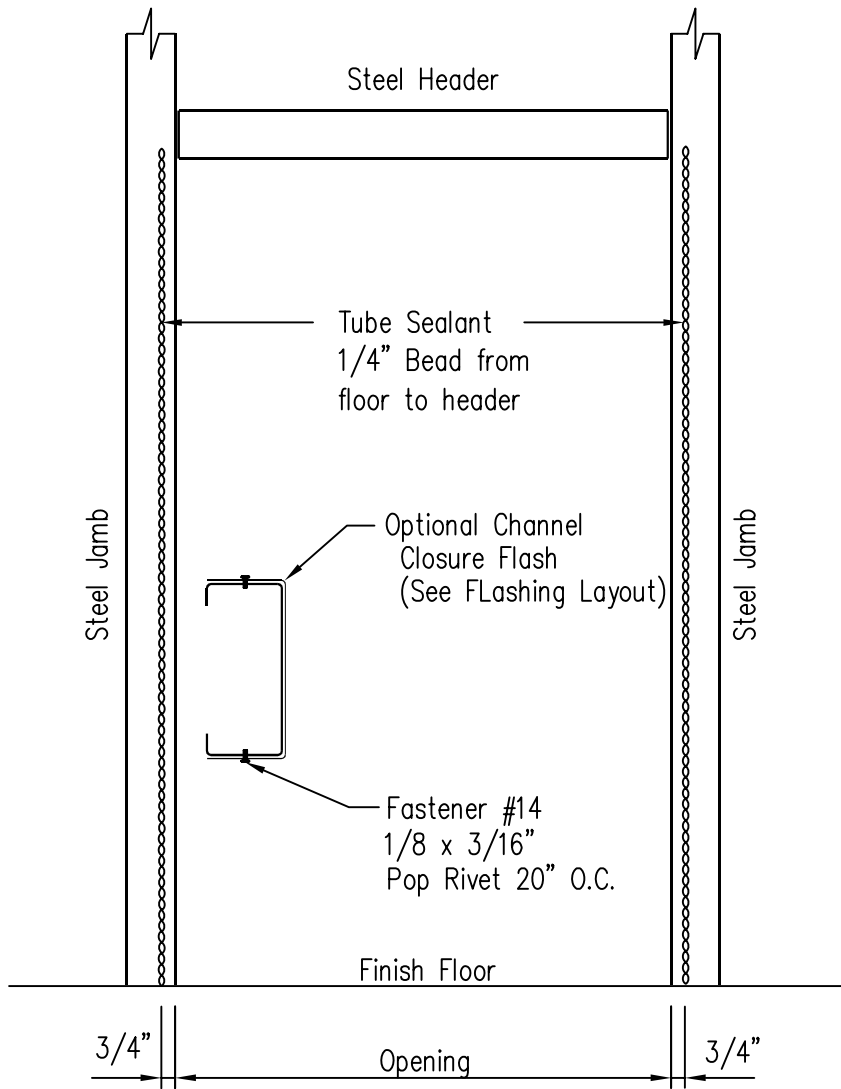
SHT. NO. PA06010	
DATE Dec. 09	REV. 01



PBA Wall Panel
Three Sided Framed Opening
Tube Sealant Application

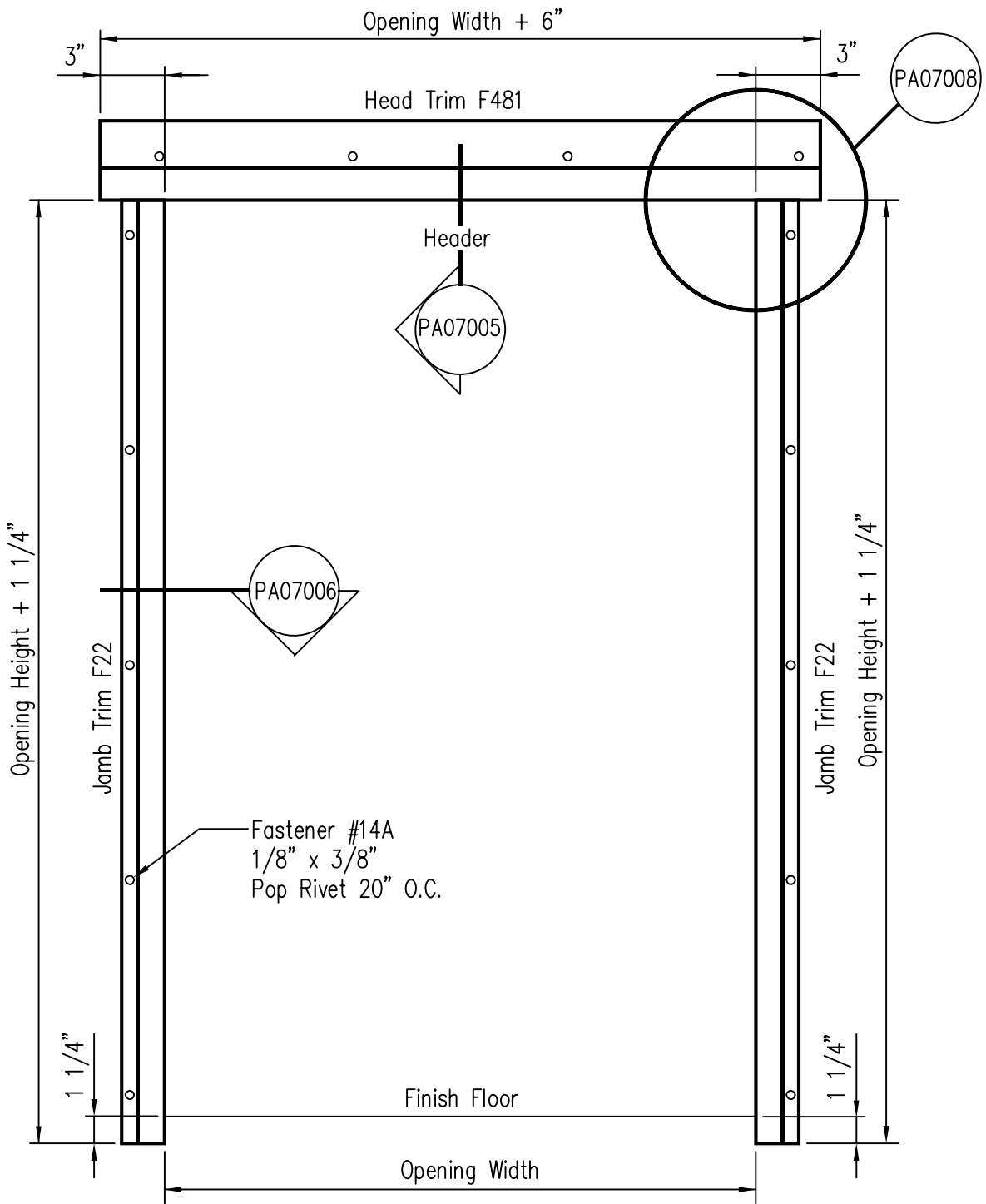
SHT. NO. PA07001	
DATE Jan. 09	REV. 00

Optional "Channel Closure Flashing" must be installed before tube sealant is applied.



PBA Wall Panel
Three Sided Framed Opening
Trim Installation

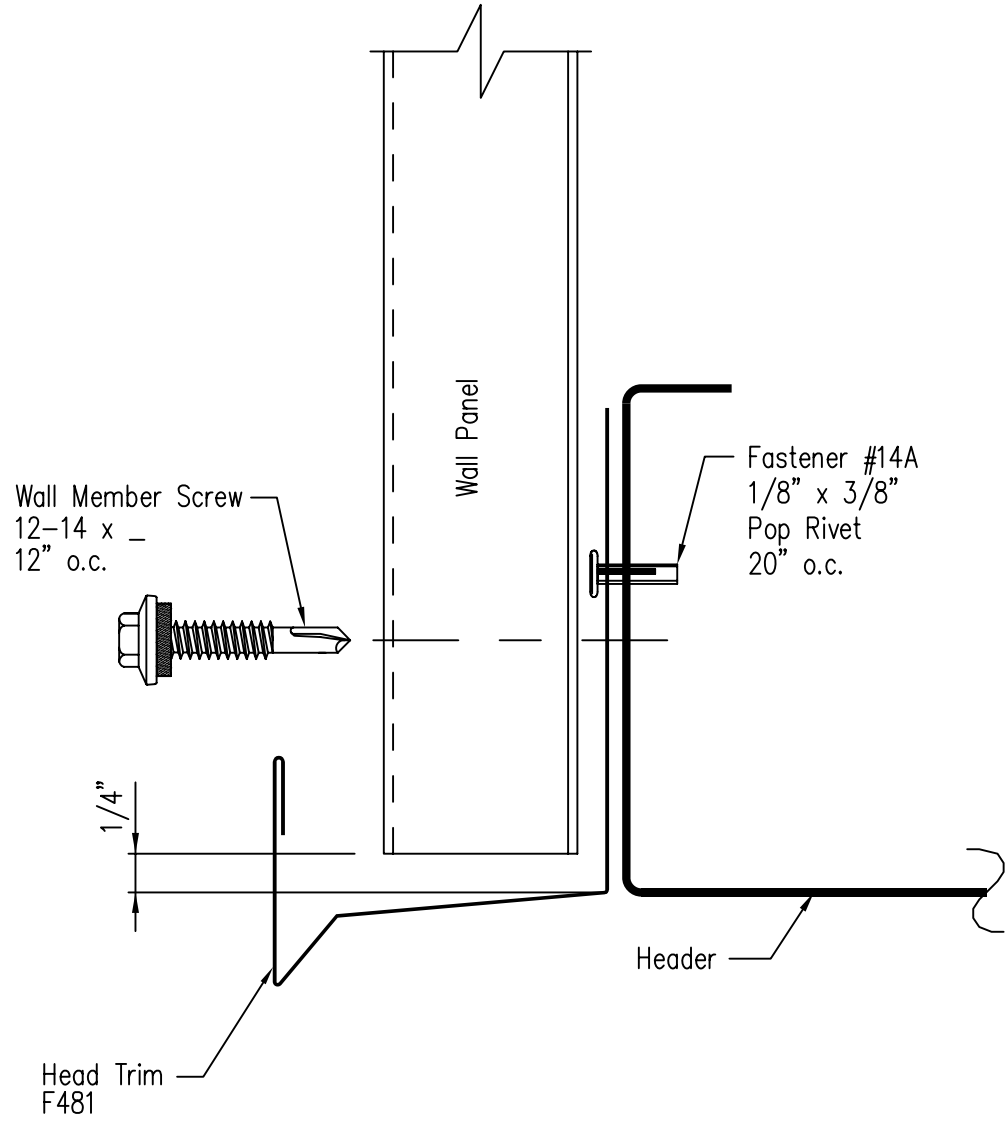
SHT. NO. PA07002	
DATE Dec. 09	REV. 01



Note:
All trim is to be installed **BEFORE**
blanket insulation is applied to walls

PBA Wall Panel
Three Sided Framed Opening
Header Trim Installation

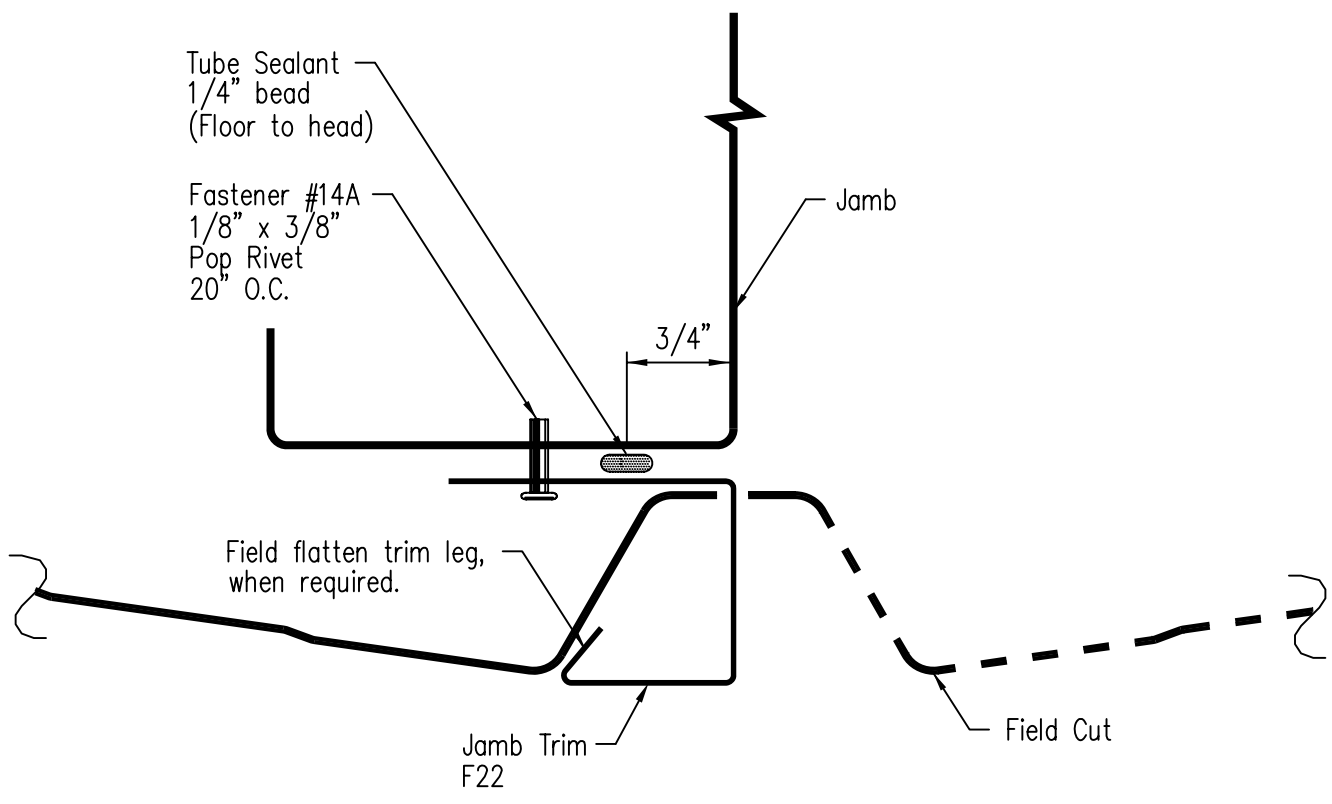
SHT. NO. PA07005	
DATE Dec. 09	REV. 01



Note:
All trim is to be installed **BEFORE**
blanket insulation is applied to walls

PBA Wall Panel
Three Sided Framed Opening
Jamb Trim Installation

SHT. NO. PA07006	
DATE Dec. 09	REV. 01



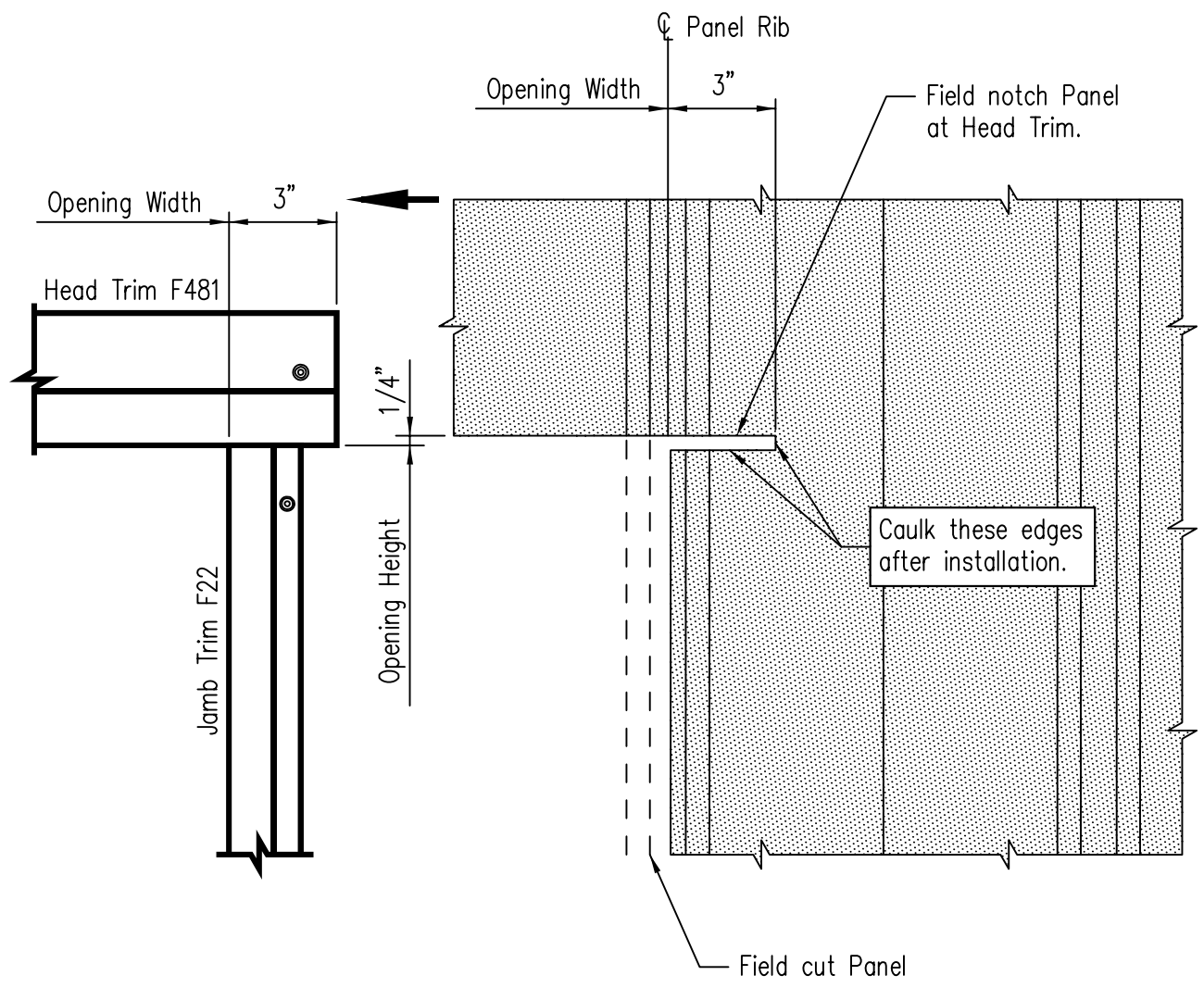
Note:
Panel position is shown with Panel Rib centered at edge Opening, location may vary depending on the Opening width and location. Field measure before cutting.

Note:
All trim is to be installed **BEFORE** blanket insulation is applied to walls

PBA Wall Panel
Three Sided Framed Opening
Panel Notch at Header Trim

SHT. NO. PA07008	
DATE Apr. 10	REV. 01

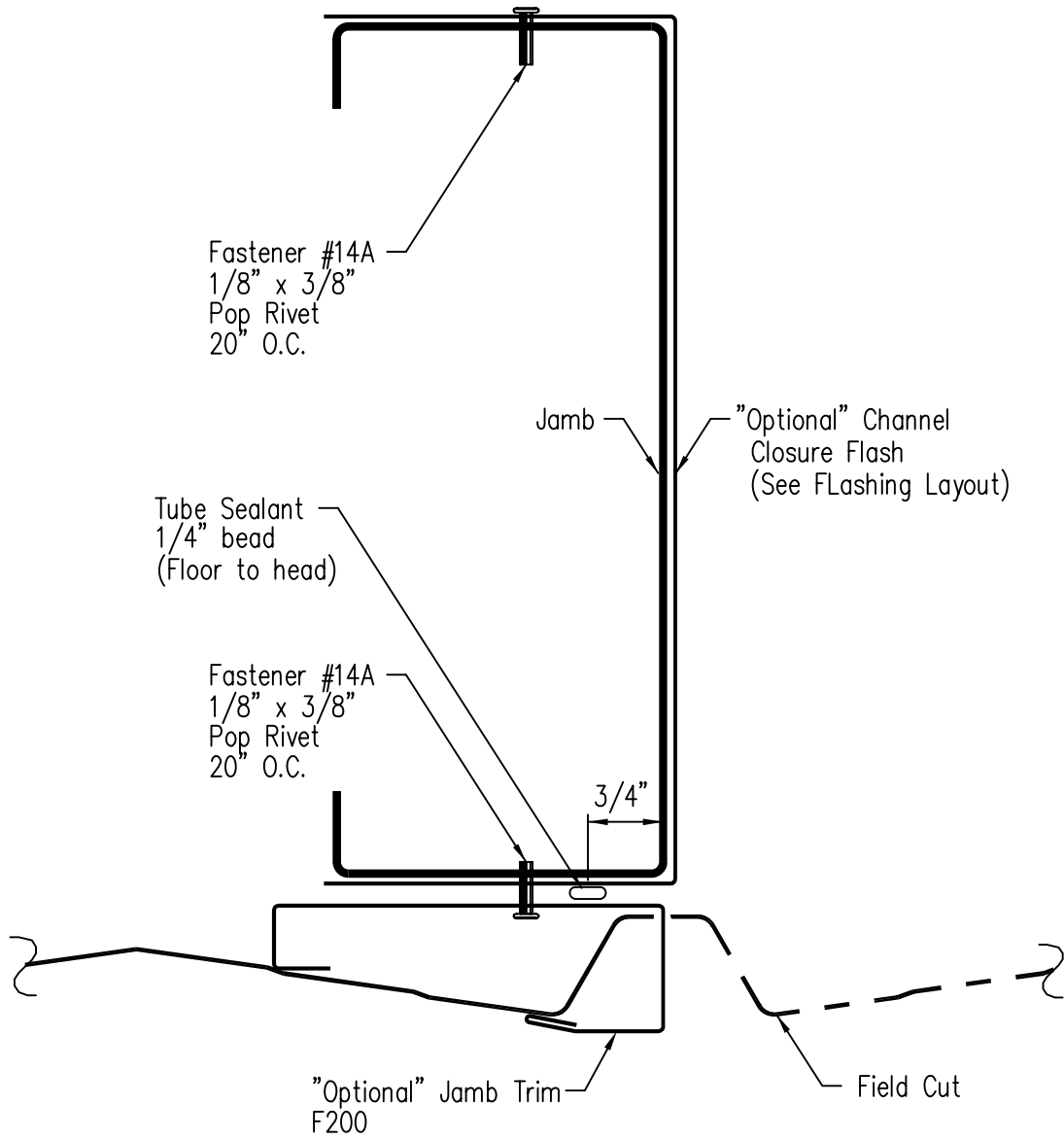
Note:
Panel position is shown with Panel Rib centered at edge Opening, location may vary depending on the Opening width and location. Field measure before cutting.



Note:
All trim is to be installed **BEFORE**
blanket insulation is applied to walls

PBA Wall Panel
Optional Framed Opening
Jamb Trim Detail

SHT. NO. PA08001	
DATE Dec. 09	REV. 01

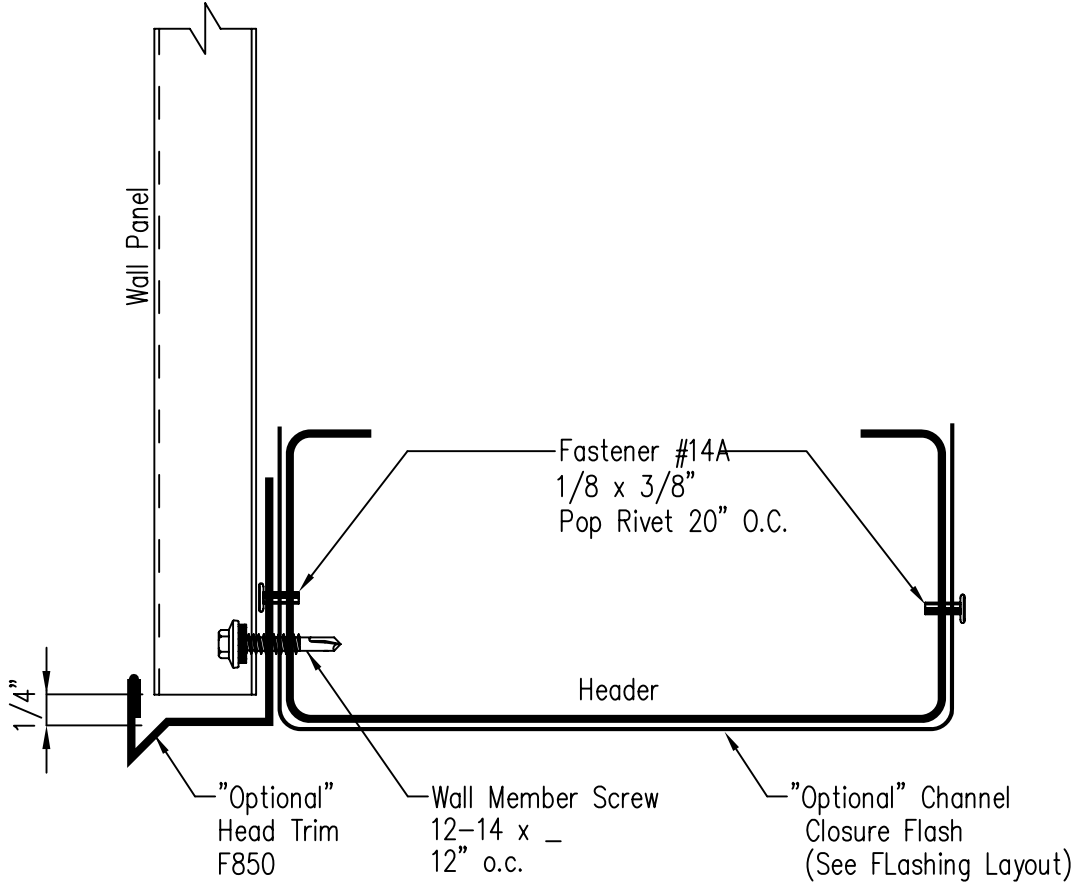


Note:
Panel position is shown with Panel Rib centered at edge Opening, location may vary depending on the Opening width and location. Field measure before cutting.

Note:
All trim is to be installed **BEFORE** blanket insulation is applied to walls

PBA Wall Panel
Optional 3 Sided Framed Opening
Header Trim

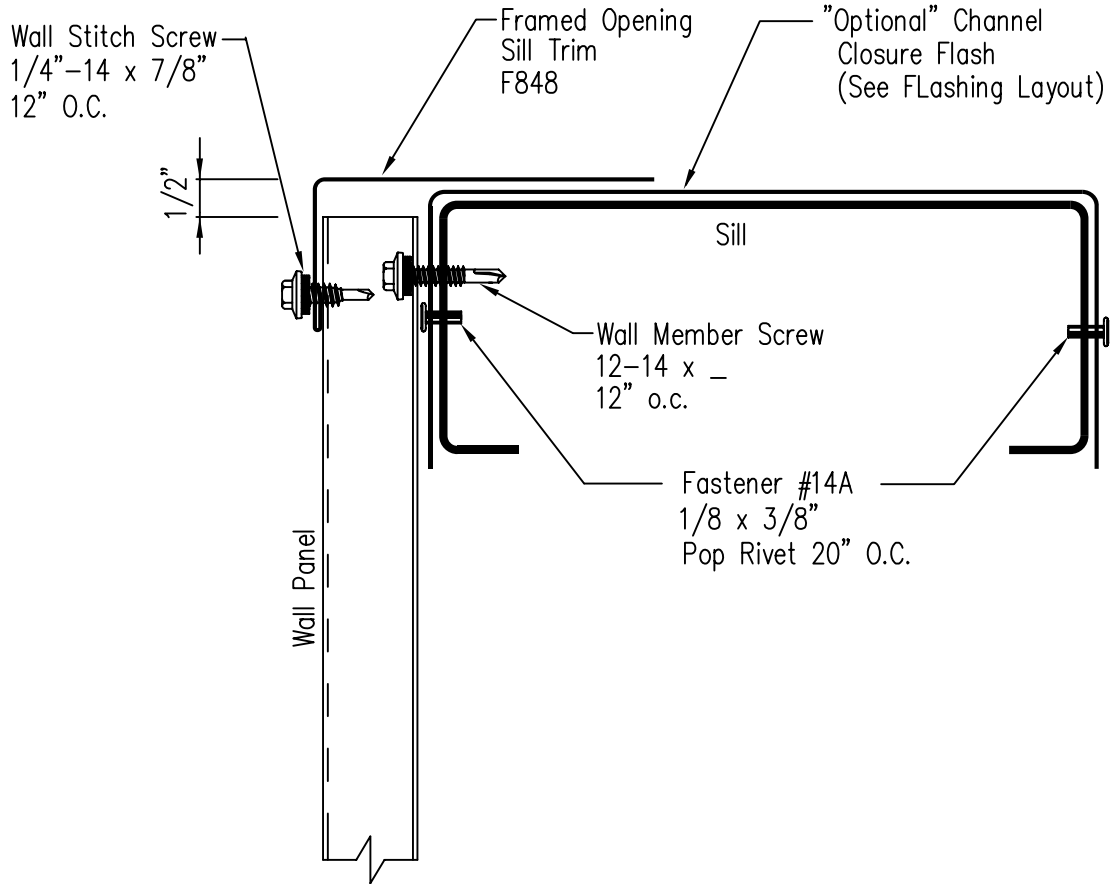
SHT. NO. PA08002	
DATE Dec. 09	REV. 01



Note:
All trim is to be installed **BEFORE**
blanket insulation is applied to walls

PBA Wall Panel
Optional 4 Sided Framed Opening
Sill Trim Installation

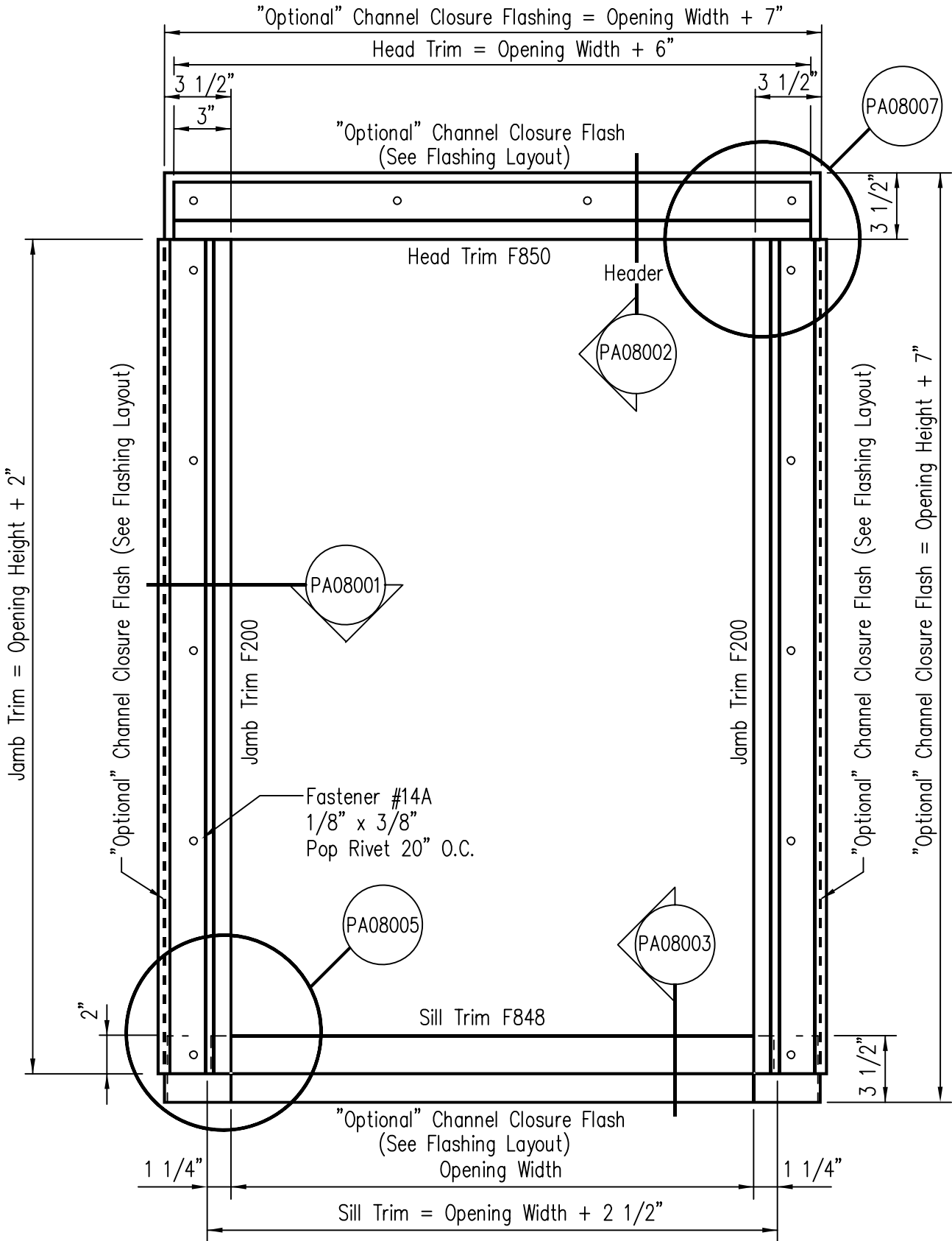
SHT. NO. PA08003	
DATE Dec. 09	REV. 01



Note:
All trim is to be installed **BEFORE**
blanket insulation is applied to walls

PBA Wall Panel
 Four Sided Framed Opening
 Optional Trim Installation

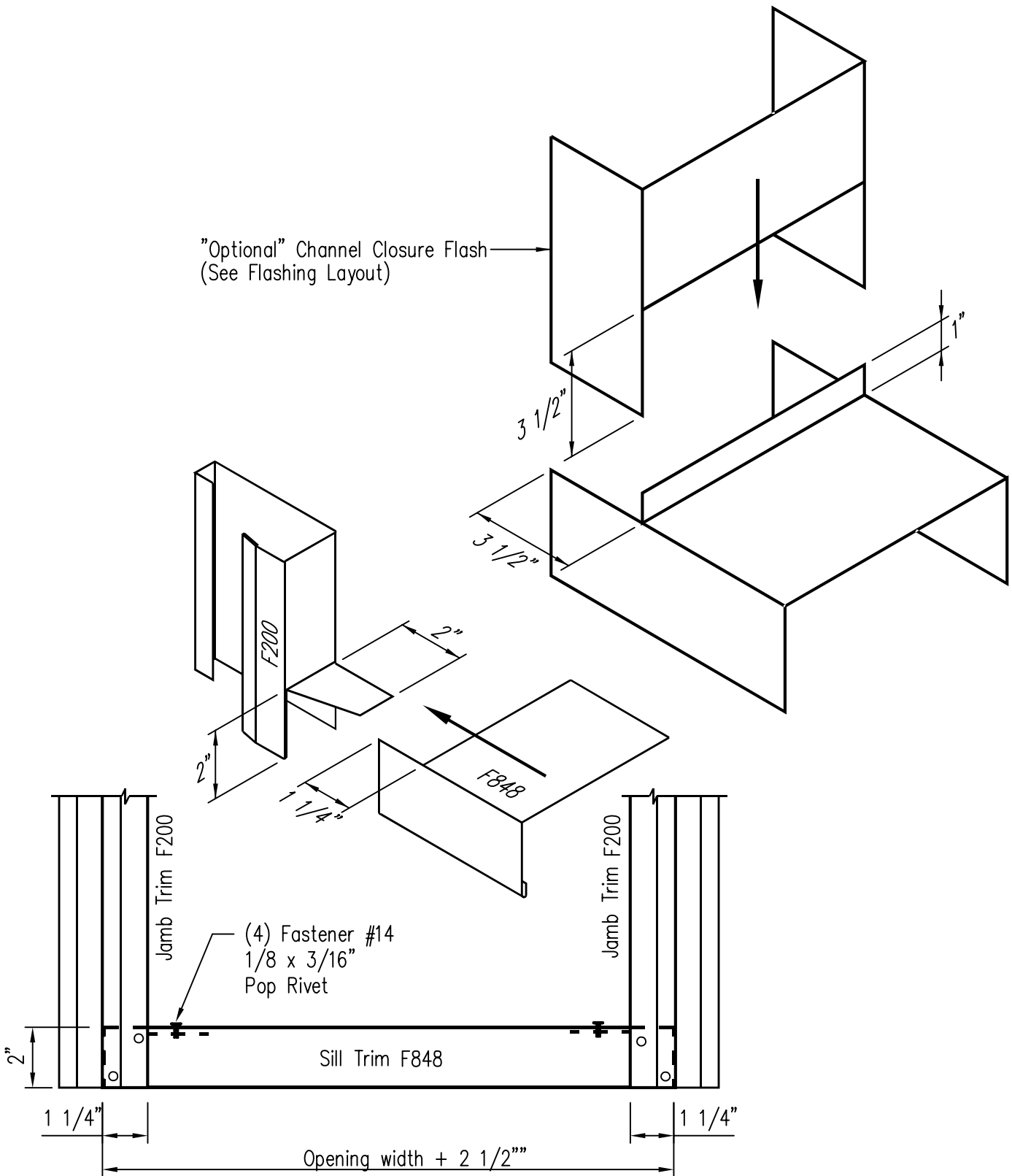
SHT. NO. PA08004	
DATE Dec. 09	REV. 01



Note:
 All trim is to be installed **BEFORE**
 blanket insulation is applied to walls

PBA Wall Panel
 Optional Framed Opening
 Jamb and Sill Trim Details

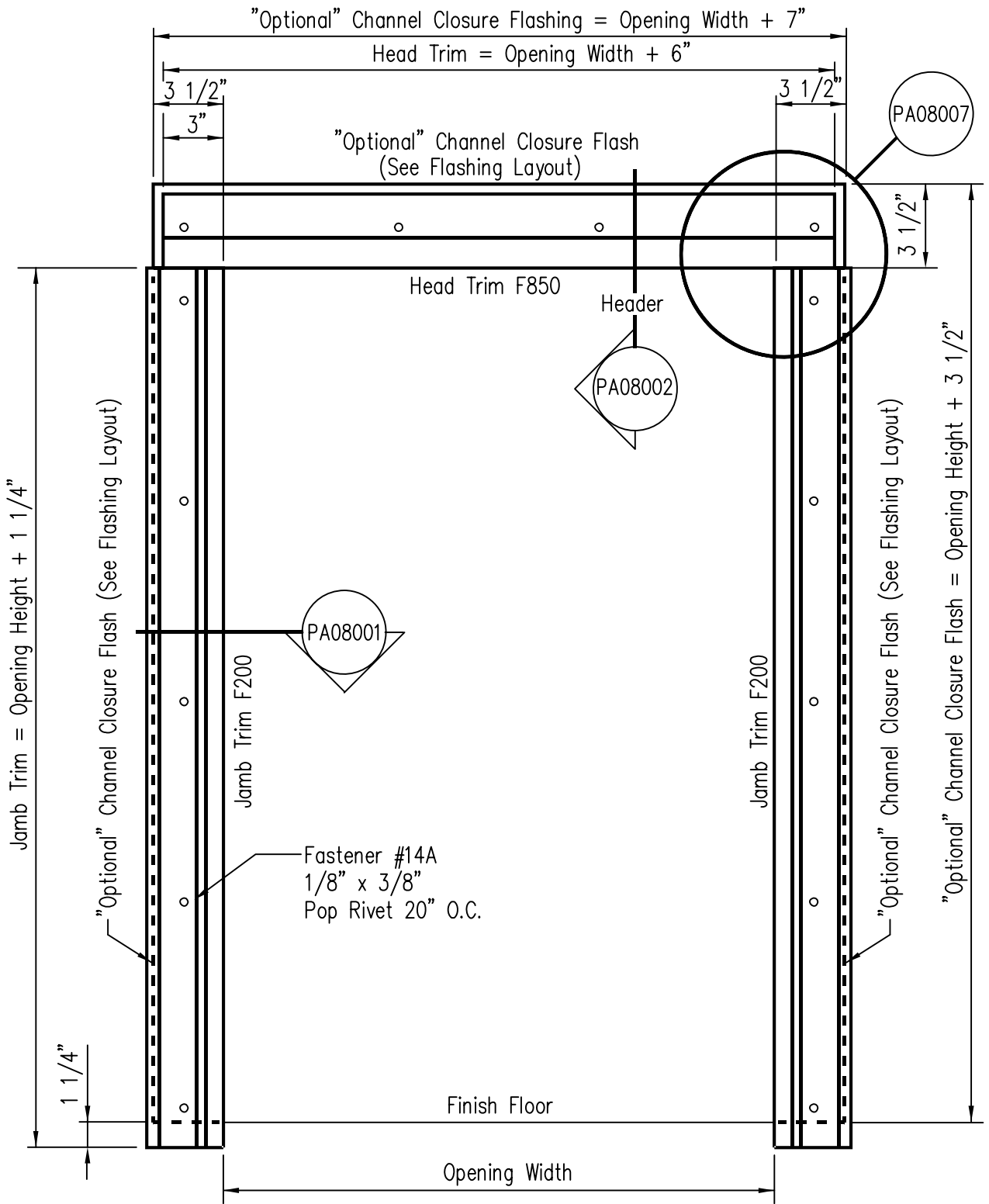
SHT. NO. PA08005	
DATE Dec. 09	REV. 01



Note:
 All trim is to be installed **BEFORE**
 blanket insulation and sheeting
 is applied to walls.

PBA Wall Panel
 Three Sided Framed Opening
 Optional Trim Installation

SHT. NO. PA08006	
DATE Dec. 09	REV. 01

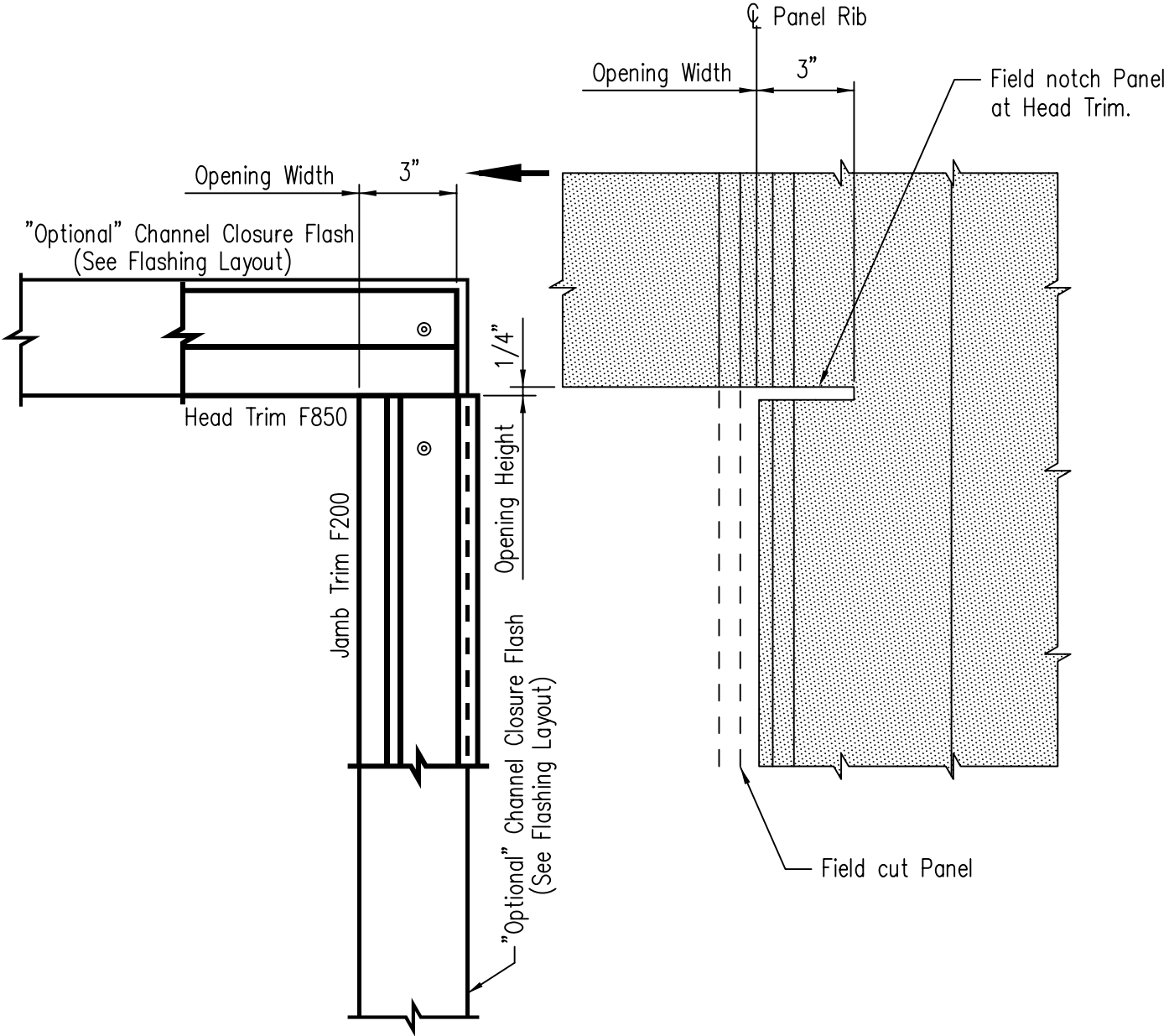


Note:
 All trim is to be installed **BEFORE**
 blanket insulation is applied to walls

PBA Wall Panel
 Optional Framed Opening
 Jamb and Header Trim Details

SHT. NO. PA08007	
DATE Dec. 09	REV. 01

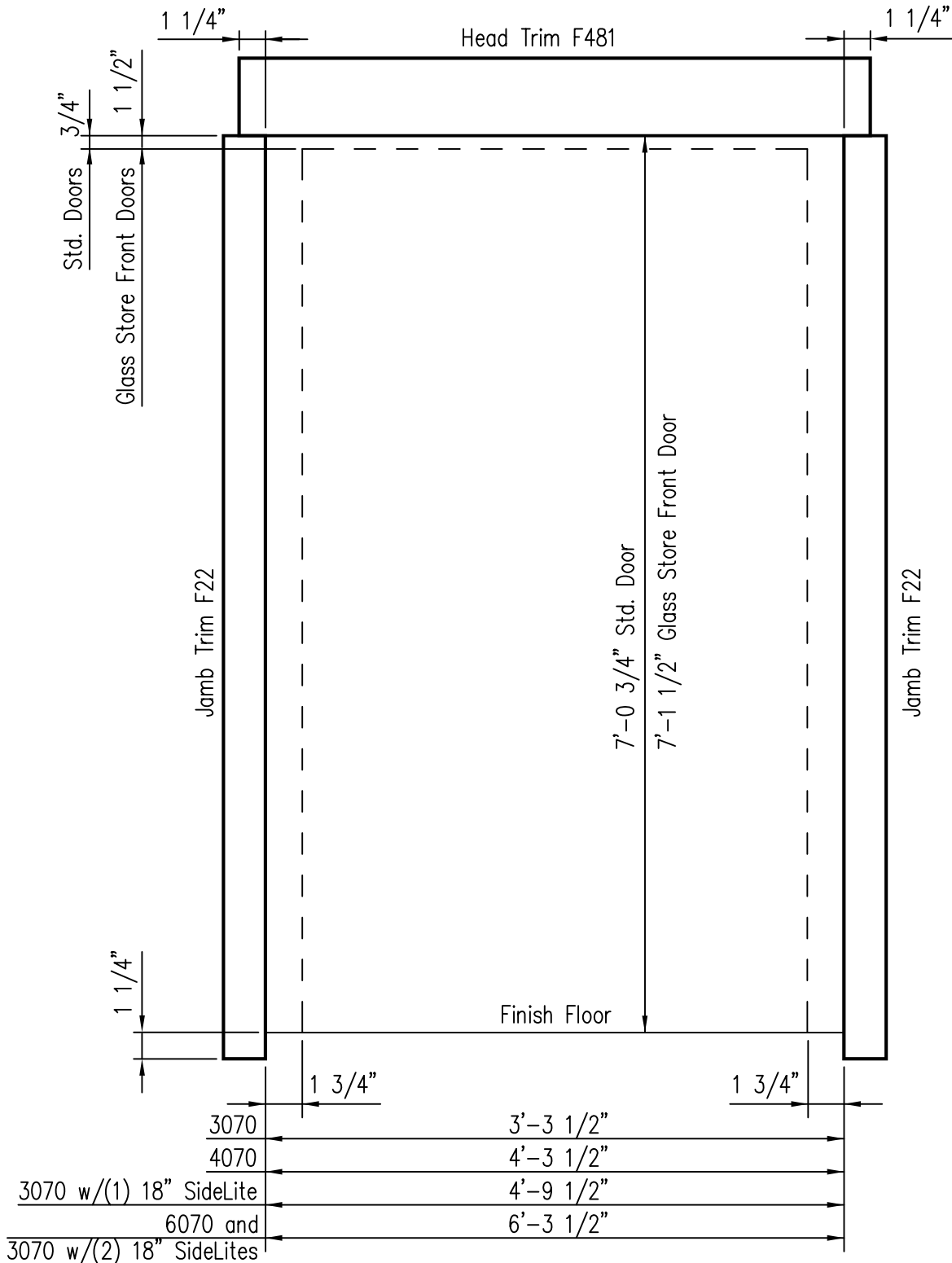
Note:
 Panel position is shown with Panel Rib centered at edge Opening, location may vary depending on the Opening width and location. Field measure before cutting.



Note:
 All trim is to be installed **BEFORE**
 blanket insulation is applied to walls

PBA Wall Panel
Walk Door Trim Layout

SHT. NO. PA09001
DATE Dec. 09 REV. 01

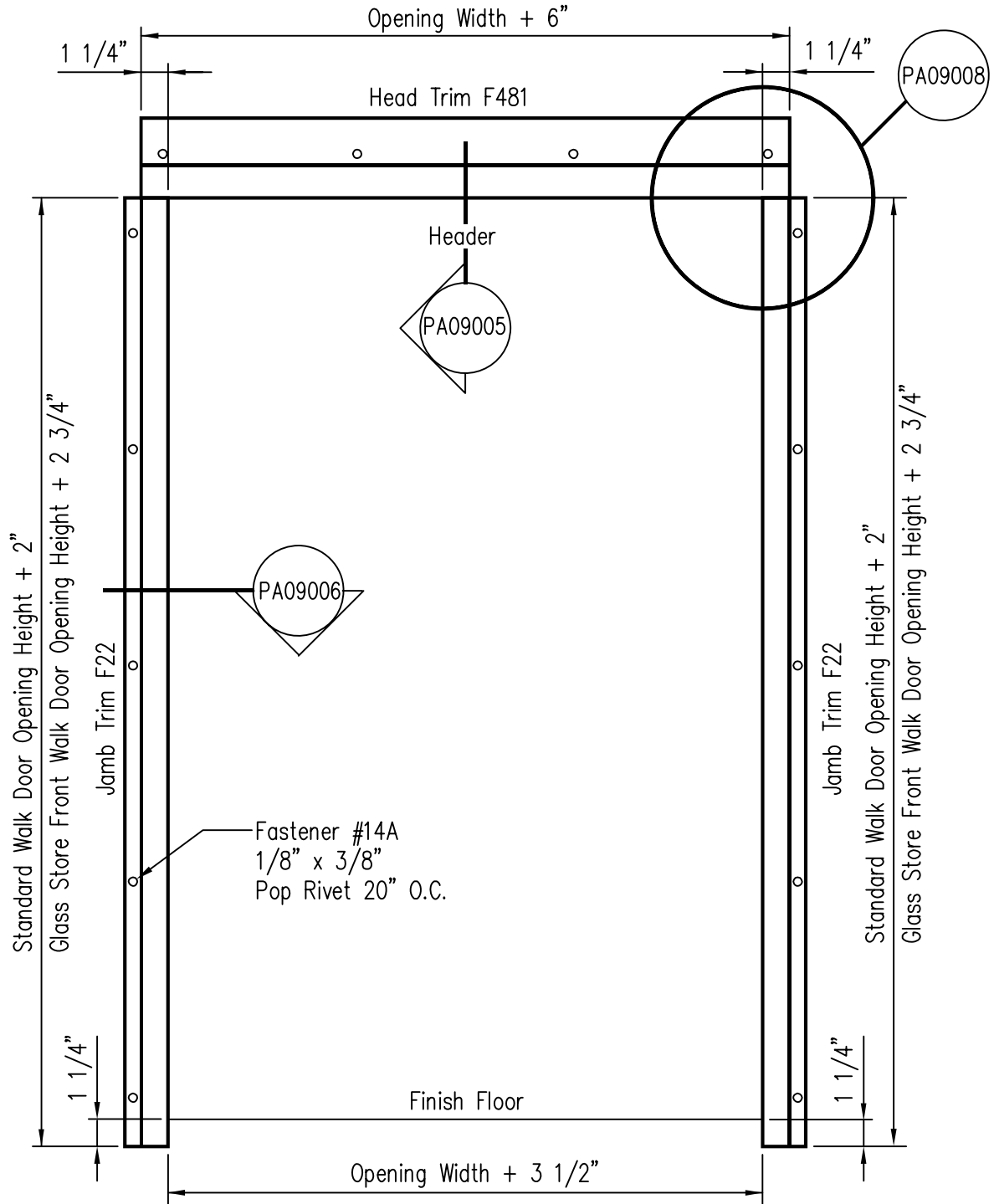


Standard Walk Door		
Door Size	Head Trim Length	Jamb Trim Length
3070	3'-6"	7'-2"
4070	4'-6"	7'-2"
6070	6'-6"	7'-2"

Glass Store Front Walk Door		
Door Size	Head Trim Length	Jamb Trim Length
3070	3'-6"	7'-2 3/4"
3070 w/(1) SideLite	5'-0"	7'-2 3/4"
3070 w/(2) SideLite	6'-6"	7'-2 3/4"
6070	6'-6"	7'-2 3/4"

PBA Wall Panel
Walk Door Trim Installation

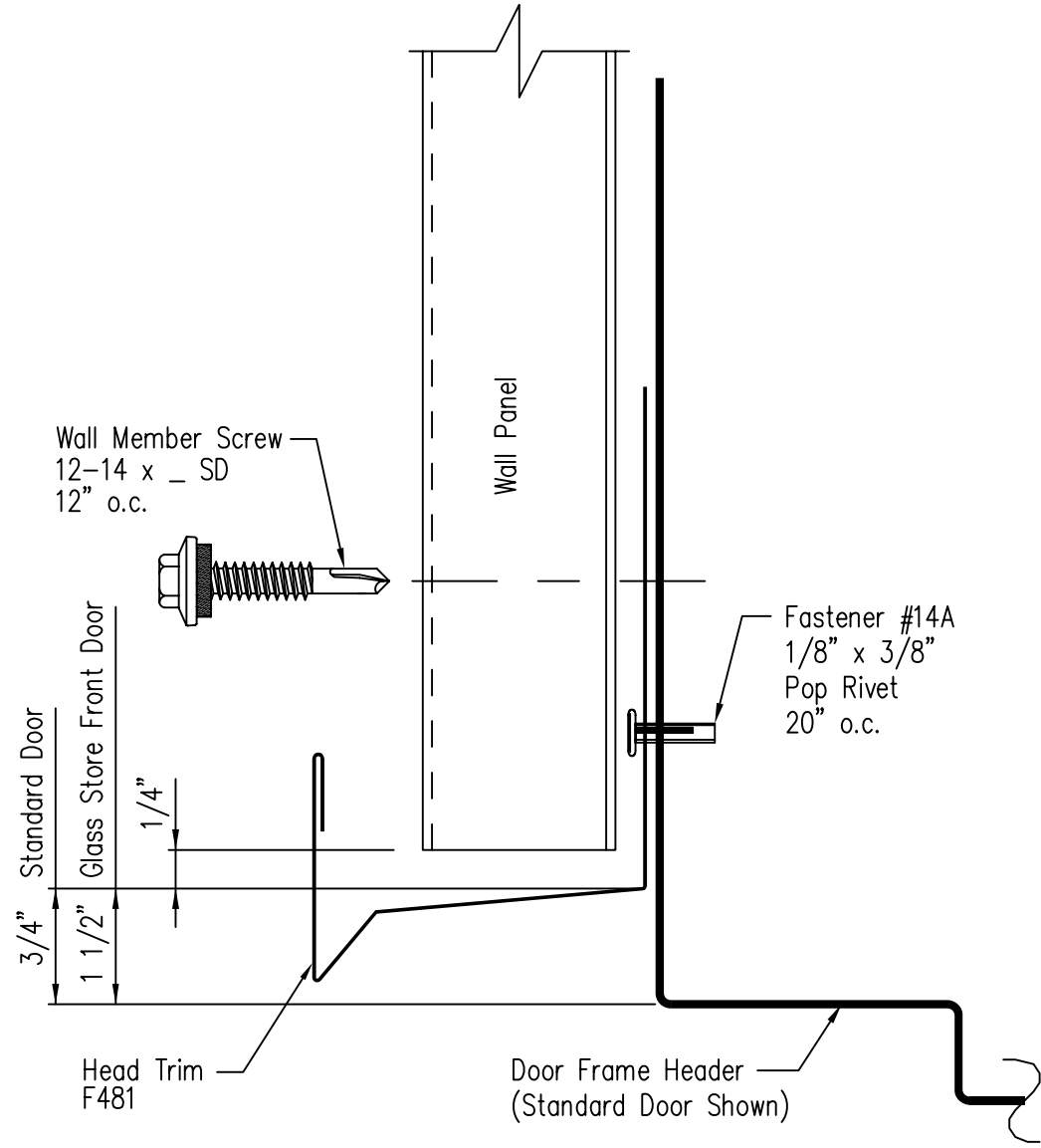
SHT. NO. PA09002	
DATE Dec. 09	REV. 01



Note:
All trim is to be installed **BEFORE**
blanket insulation is applied to walls

PBA Wall Panel
Walk Door
Header Trim Detail

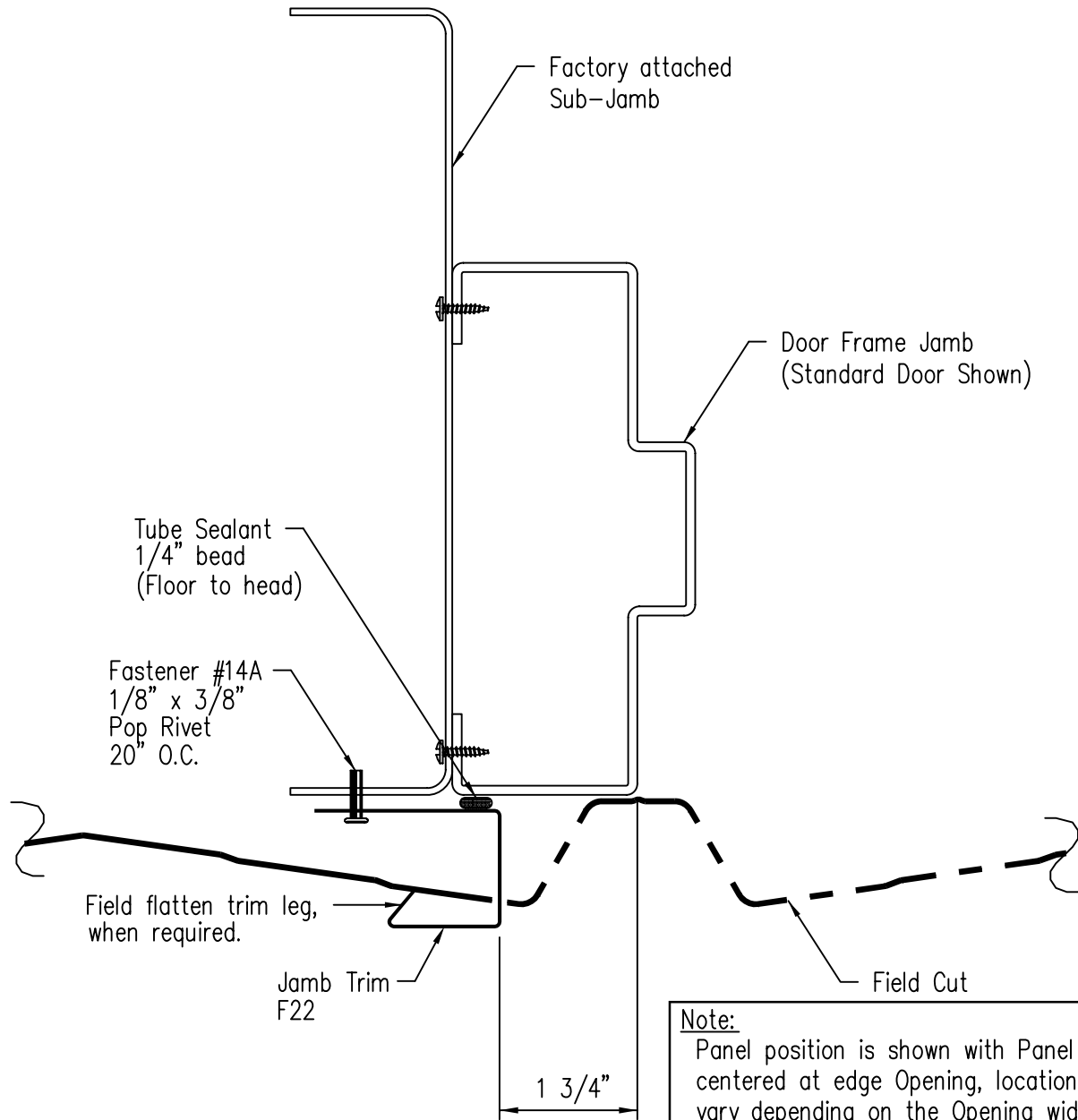
SHT. NO. PA09005	
DATE Dec. 09	REV. 01



Note:
All trim is to be installed **BEFORE**
blanket insulation is applied to walls

PBA Wall Panel
Walk Door
Jamb Trim Detail

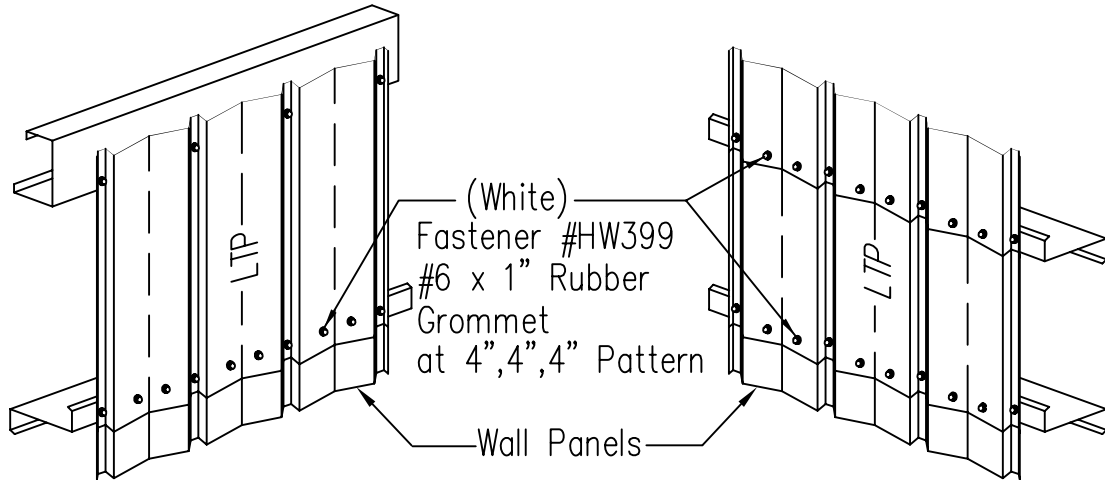
SHT. NO. PA09006	
DATE Dec. 09	REV. 01



Note:
Panel position is shown with Panel Rib centered at edge Opening, location may vary depending on the Opening width and location. Field measure before cutting.

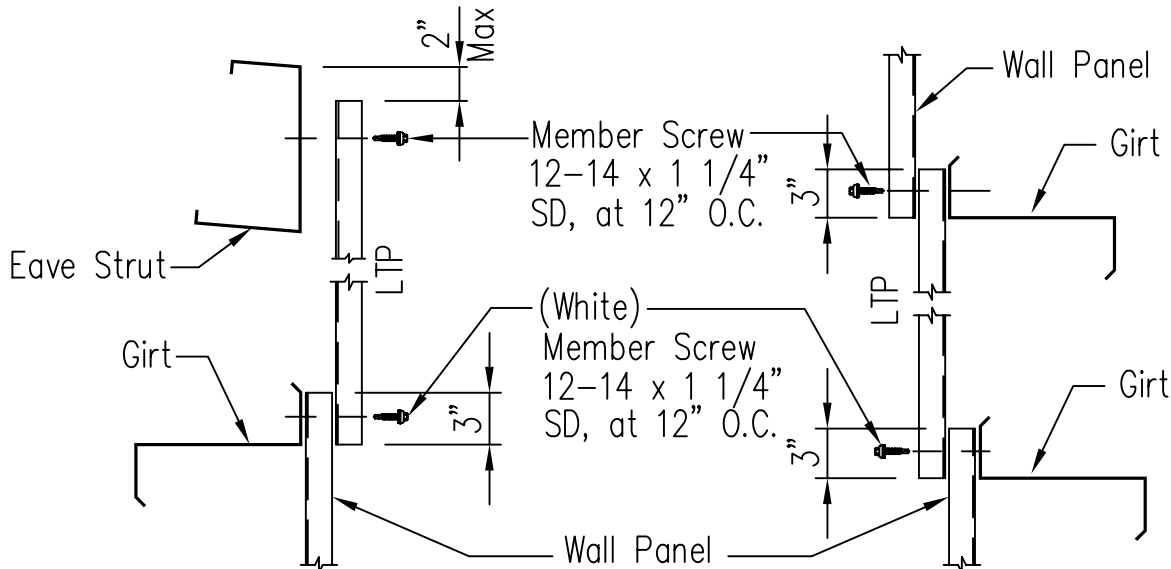
Note:
All trim is to be installed **BEFORE** blanket insulation is applied to walls

Light Transmitting Panels less than 10'-8" may require field cutting to length (see PW11003 to PW11007 for instructions).



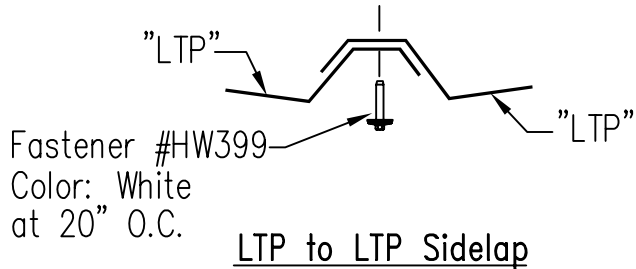
Wall Light Band At Eave

Wall Light Band Between Girts

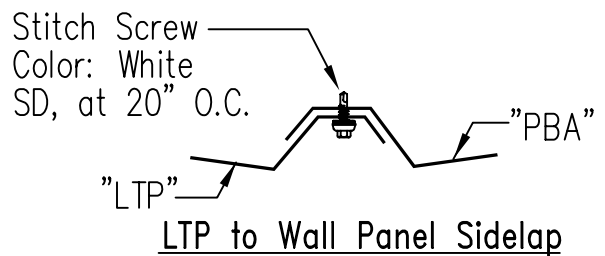


Panels At Eave Strut

Panels Between Girts



LTP to LTP Sidelap



LTP to Wall Panel Sidelap

