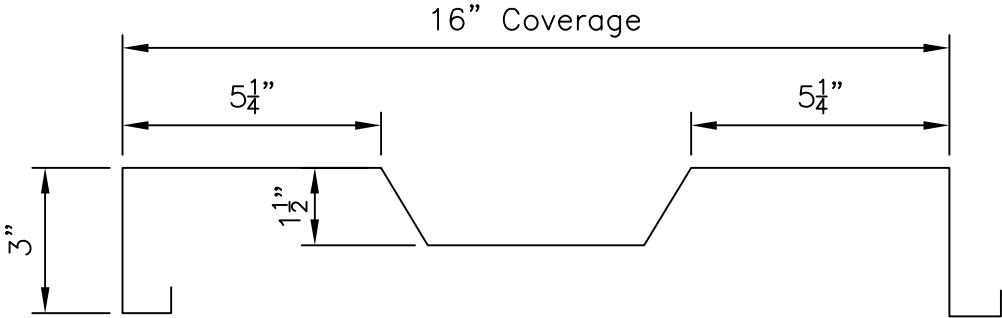


ShadowRib
Profile

SHT. NO.
SR00001

DATE
JAN. 09

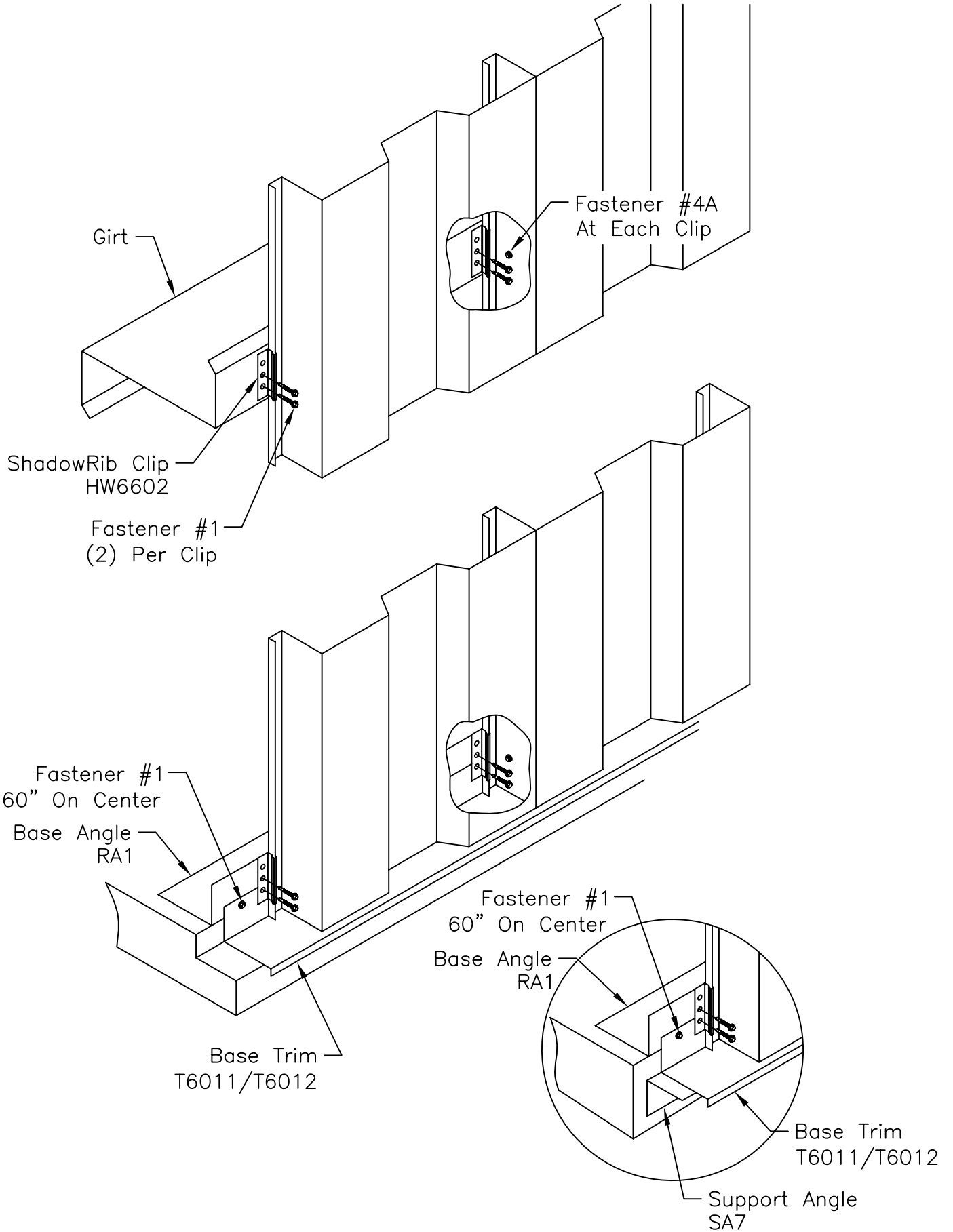
REV.
00



SHADOWRIB WALL PANEL

ShadowRib
Base and Intermediate Girt

SHT. NO. SR01001	
DATE Oct. 09	REV. 02

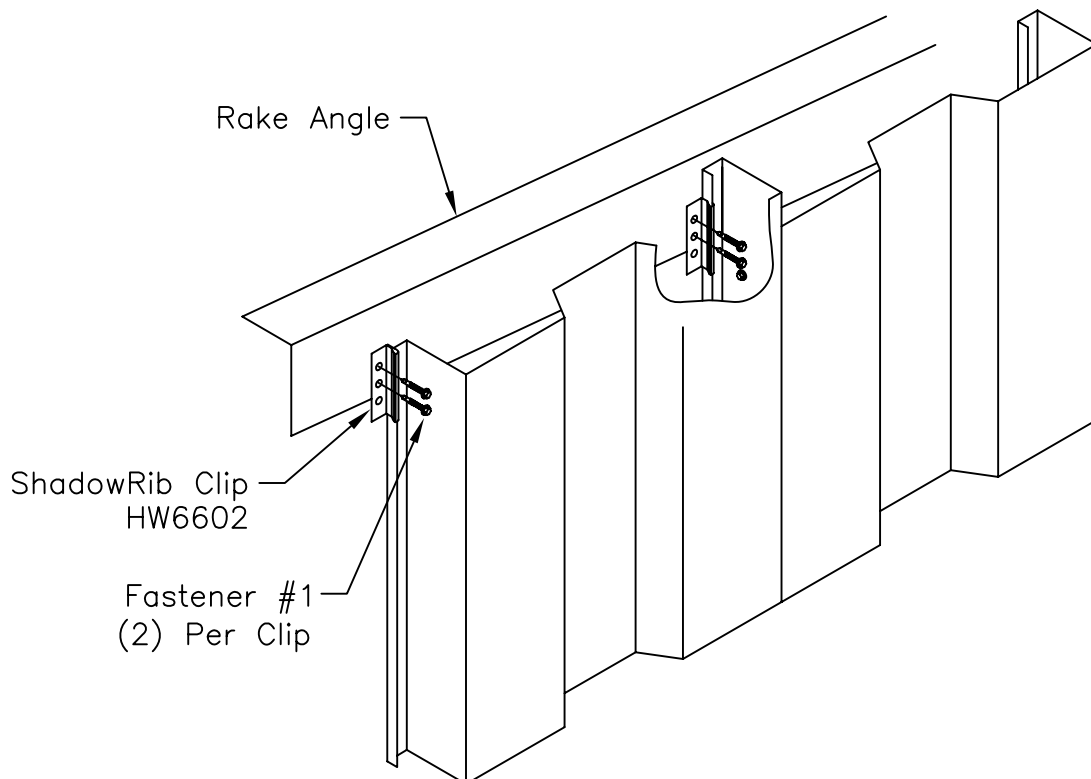
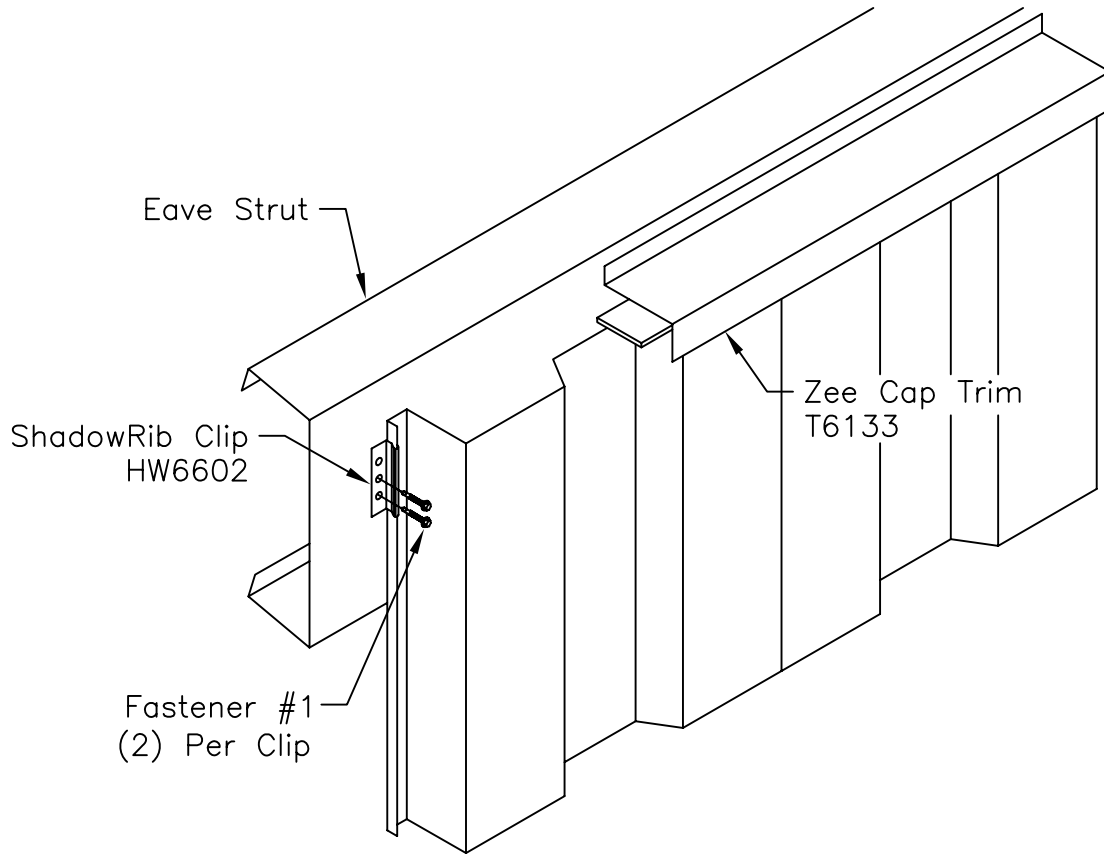


ShadowRib
Sidewall and Rake

SHT. NO.
SR01002

DATE
JAN. 09

REV.
00

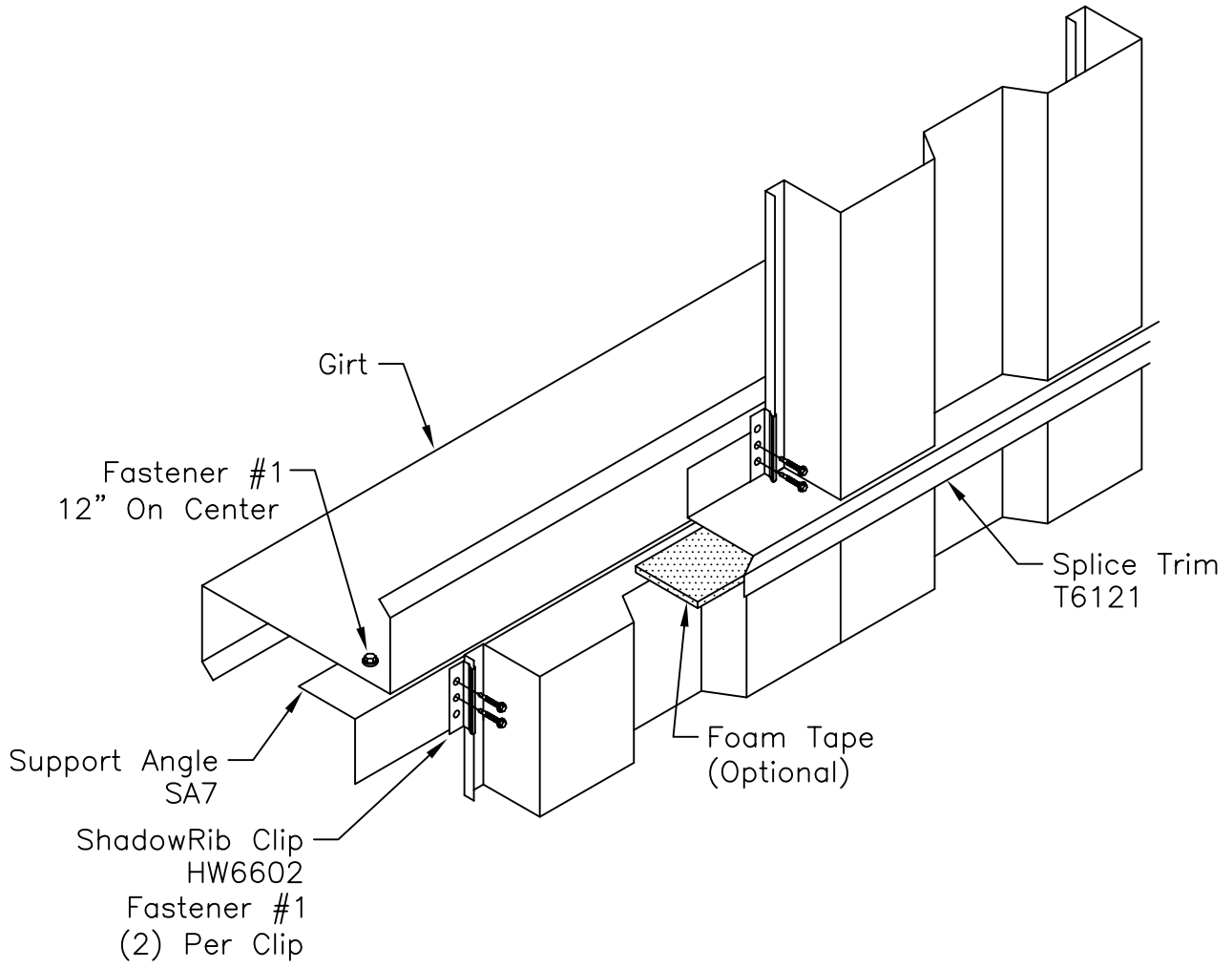


ShadowRib
Wall Splice

SHT. NO.
SR01003

DATE
Oct. 09

REV.
01

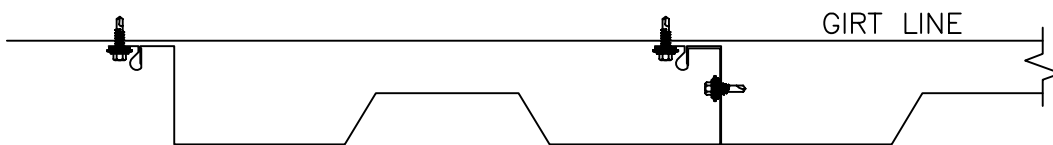
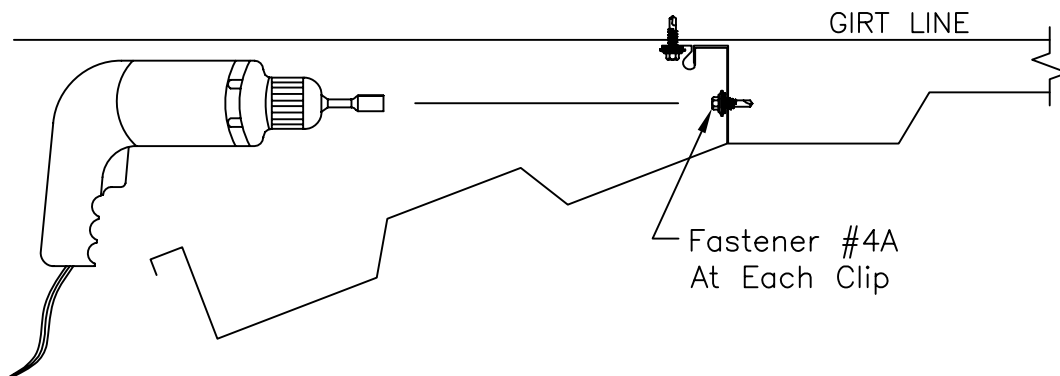
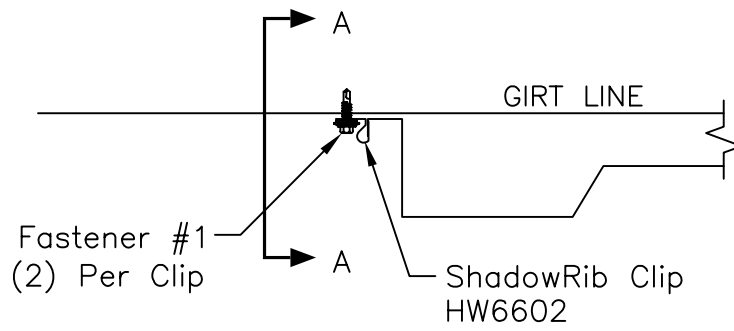
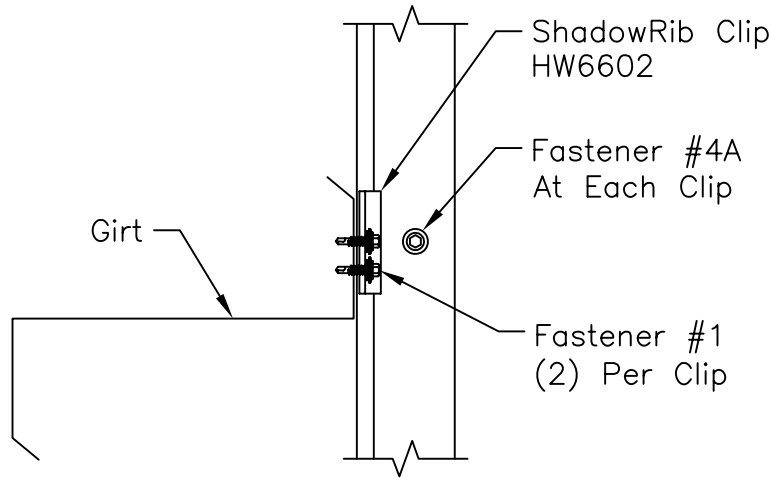


ShadowRib
Panel Attachment

SHT. NO.
SR01004

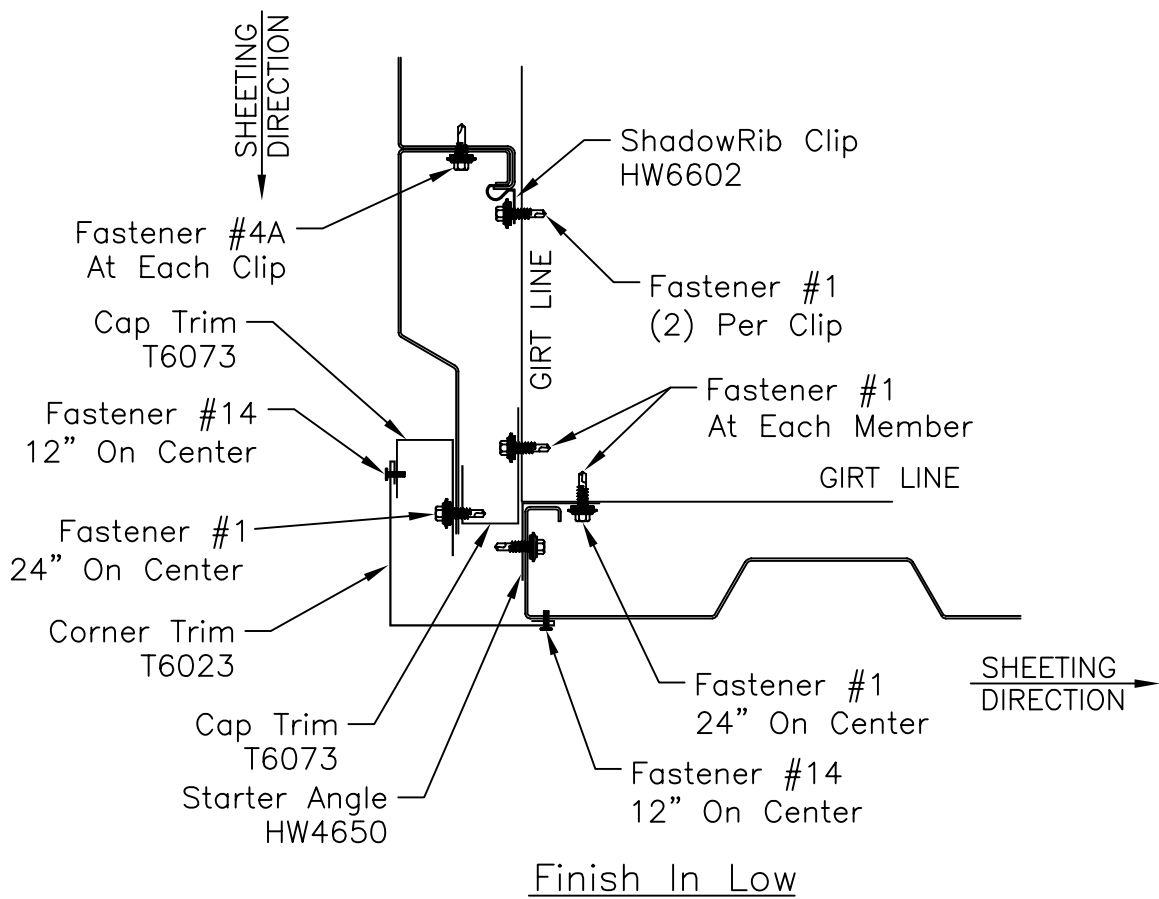
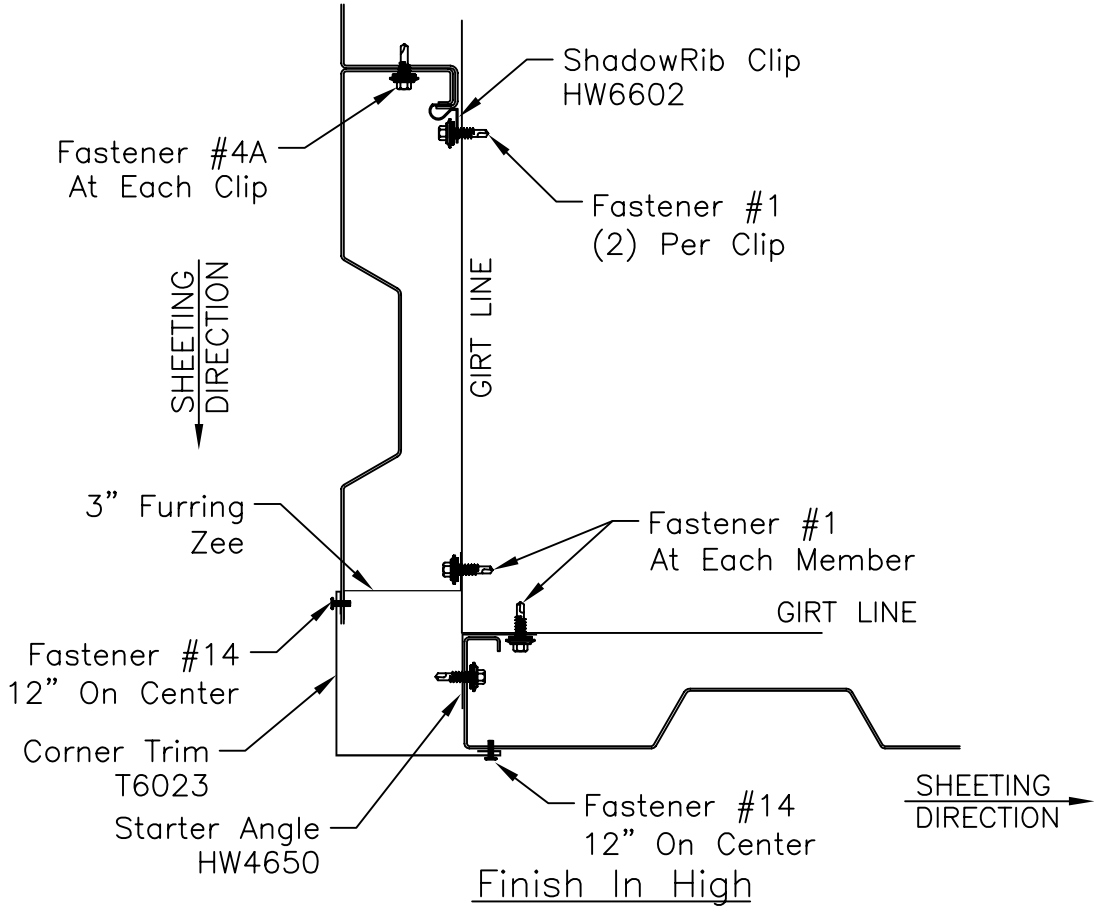
DATE
JAN. 09

REV.
00



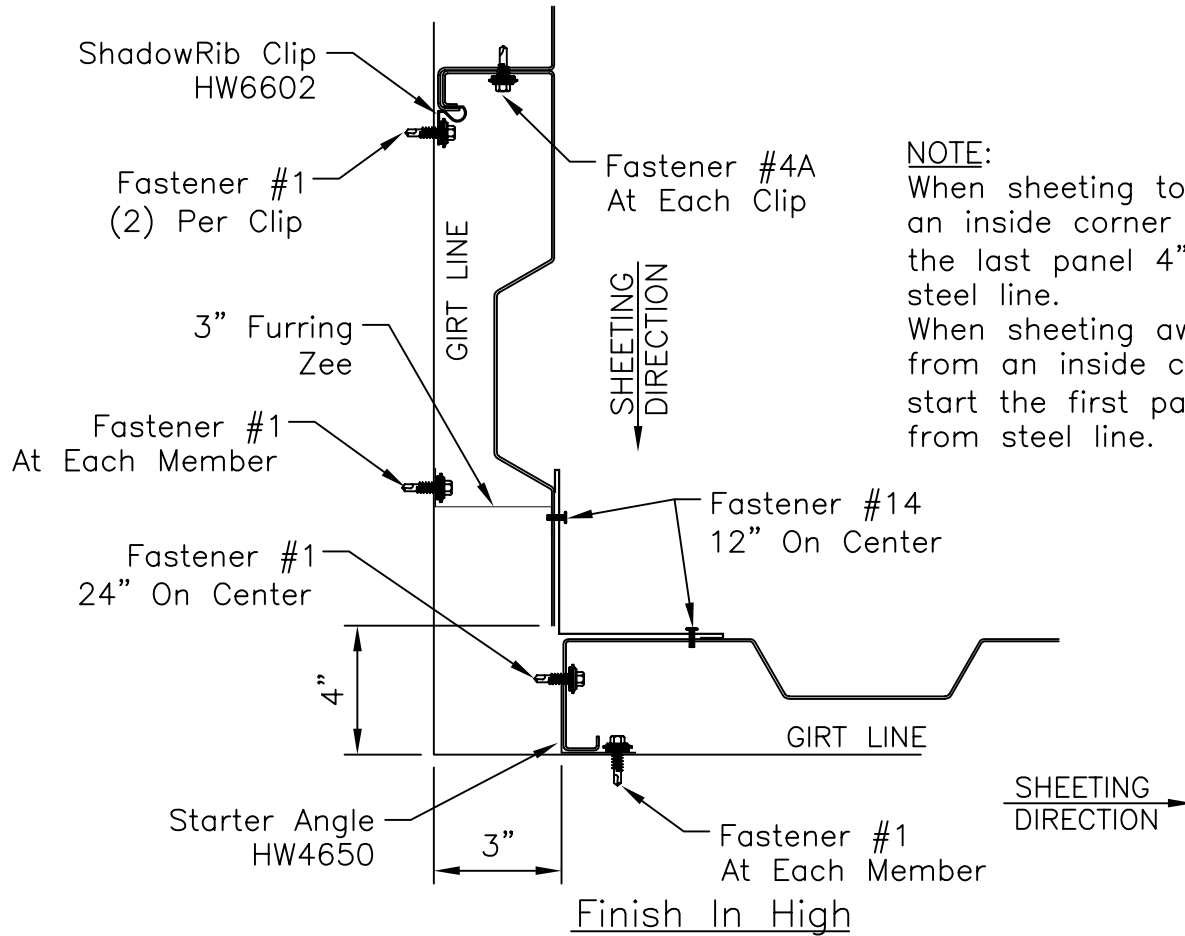
ShadowRib
Outside Corner

SHT. NO. SR02001	
DATE JAN. 09	REV. 00

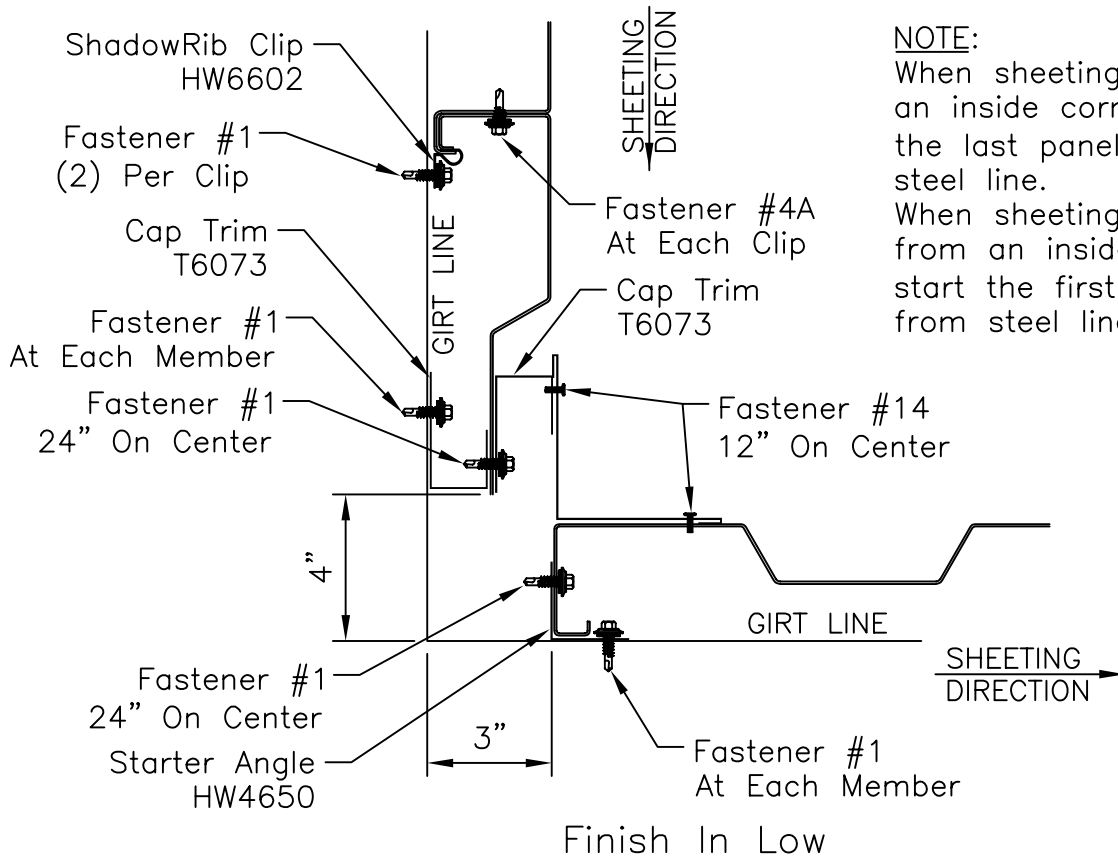


ShadowRib
Inside Corner

SHT. NO. SR02002	
DATE JAN. 09	REV. 00



NOTE:
When sheeting toward an inside corner stop the last panel 4" from steel line.
When sheeting away from an inside corner start the first panel 3" from steel line.



NOTE:
When sheeting toward an inside corner stop the last panel 4" from steel line.
When sheeting away from an inside corner start the first panel 3" from steel line.

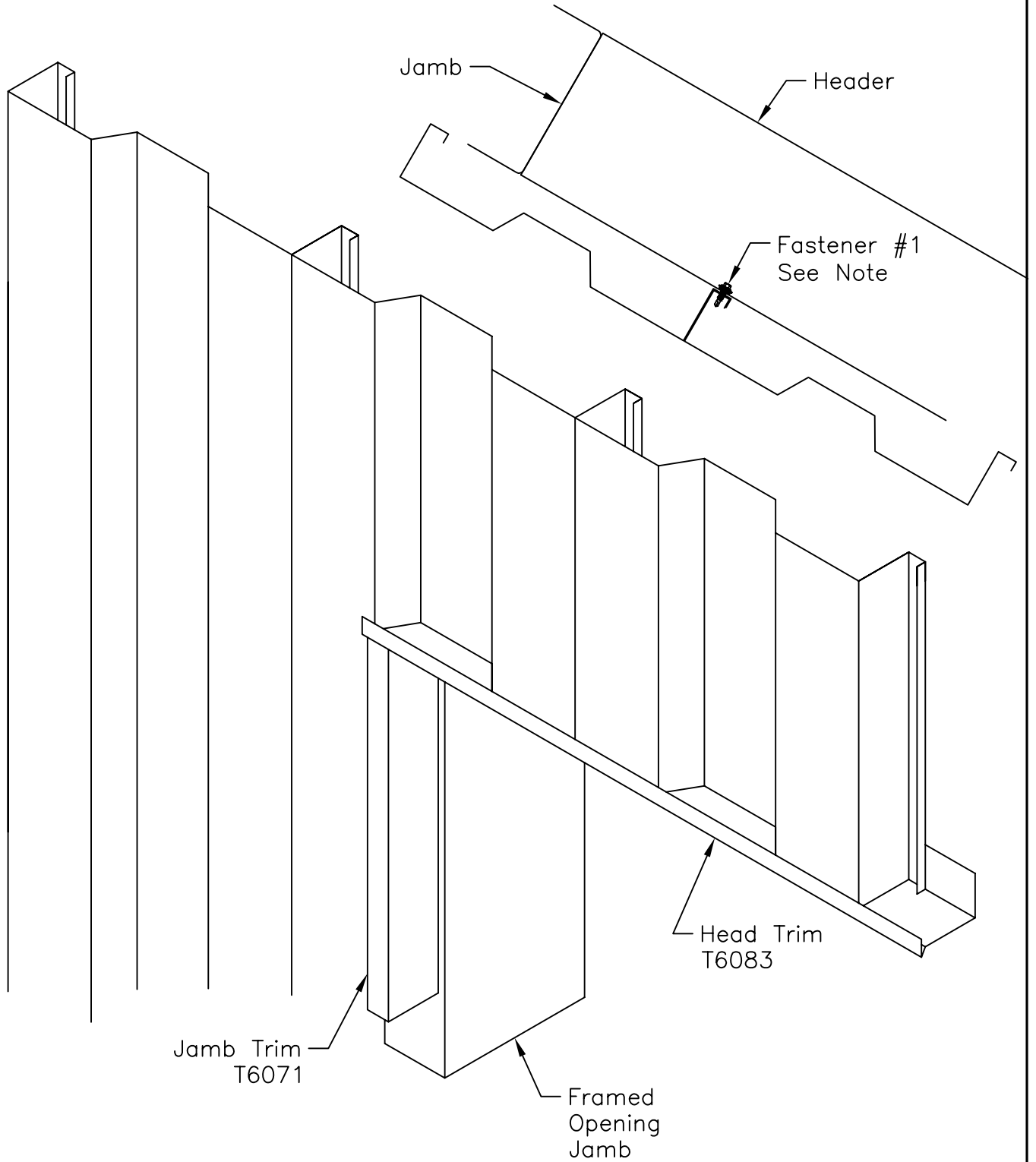
ShadowRib
Framed Opening

SHT. NO.
SR03001

DATE
Feb. 09

REV.
01

NOTE: First panel cut for an opening will require attachment to member from inside the building.

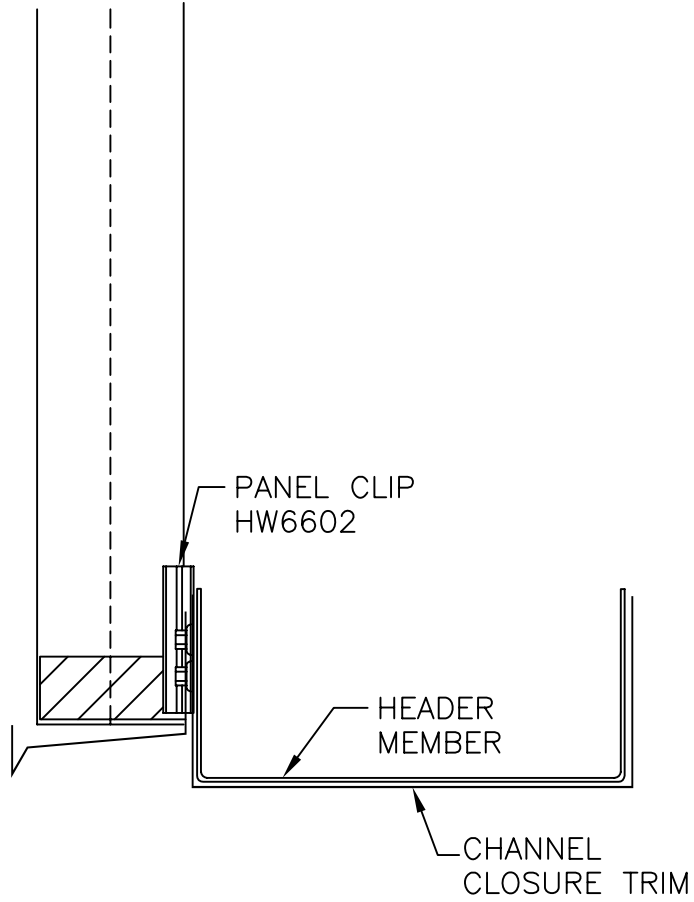


ShadowRib
Framed Opening Header and Sill

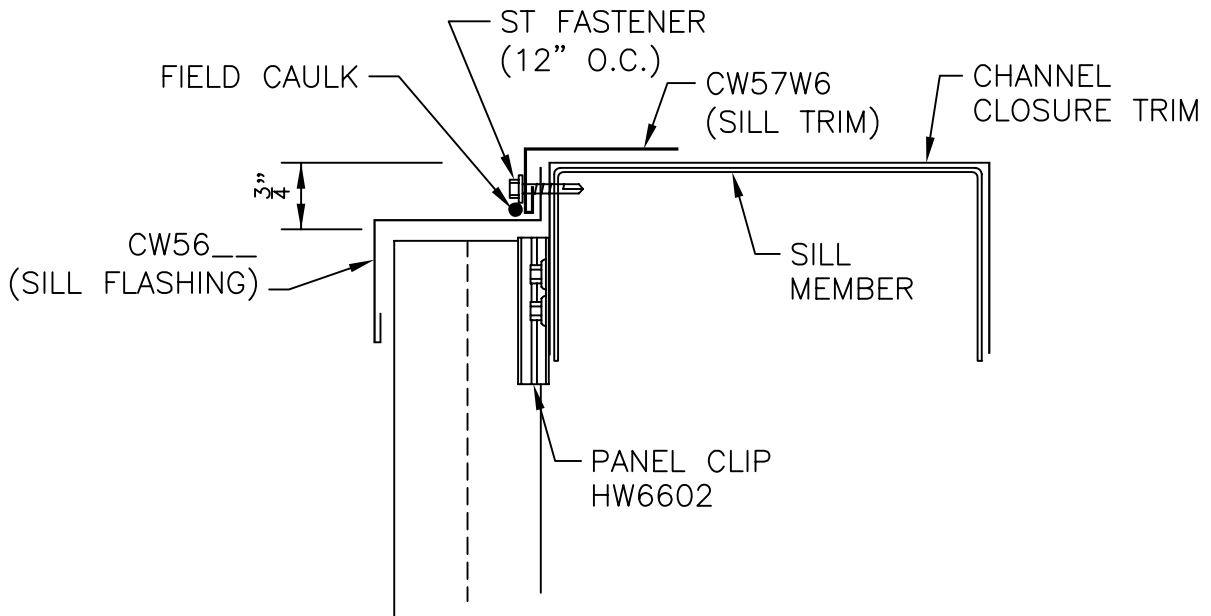
SHT. NO.
SR03002

DATE
JAN. 09

REV.
00



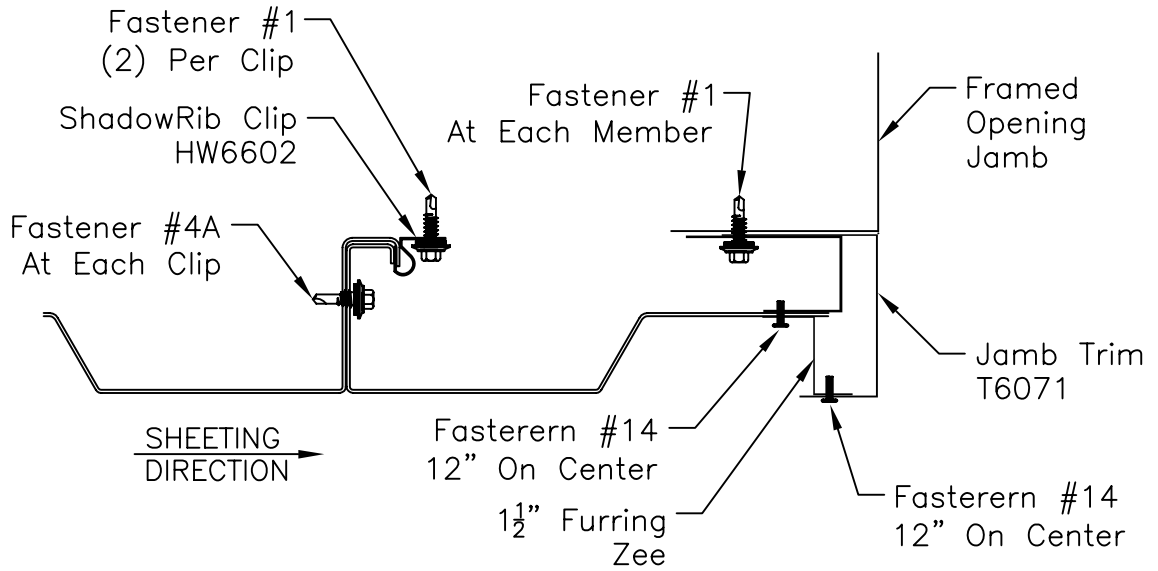
SECTION THRU HEADER



SECTION THRU HEADER

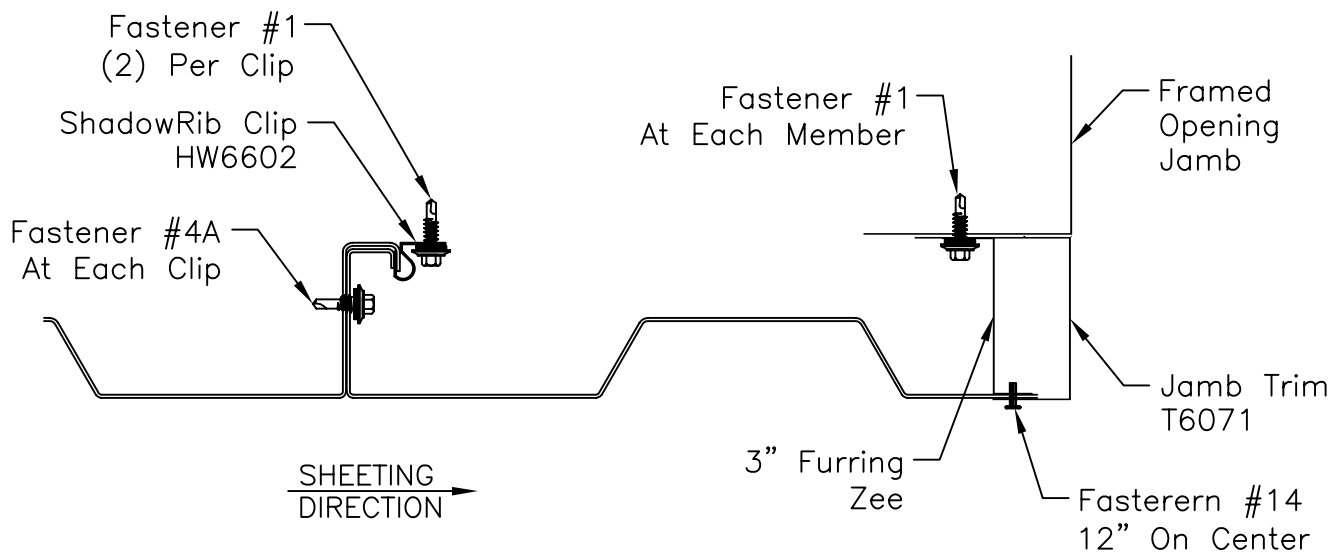
ShadowRib
Framed Opening Jamb

SHT. NO. SR03003	
DATE JAN. 09	REV. 00



PLAN VIEW OF JAMB

(NOTE: OPENING IN
LOW OF PANEL)



PLAN VIEW OF JAMB

(NOTE: OPENING IN
HIGH OF PANEL)